

121700 to 121799

Illustrated Parts List

Model Series

121700 to 121799

TYPE NUMBERS

0101 through 0109,
0115 through 0237,
0239 through 0254,
0256 through 0261,
0263 through 0266,
0268 through 0275,
0416, 0418, 0419,
0426, 0463, 0465,

TYPE NUMBERS

3101, 3102, 3106, 3109,
3115 through 3147,
3153, 3154, 3158,
3179, 3180, 3185,
4000 through 4003,
4006 through 4009.
7015, 7016, 7018,
7024, 7025, 7026,
7051.

TO FIND**THE CORRECT NUMBER OF THE PART YOU NEED:
FOLLOW THE INSTRUCTIONS BELOW**

- A. Refer to the Engine Model, Type and Code Number that is stamped on the blower housing of engine. Engine type numbers such as 0123 01 are listed only as 0123 in most instances. The two digits (01 or 02, etc.) to the right of the space may be required for more accurate parts identification in some instances. Select the Illustrated Parts List covering the correct Model Series and Type Number.
- B. Refer to the illustrations and compare the original part with illustration. The number next to the illustration is the Reference Number. Assemblies include all parts shown in frames. All parts shown in assembly frames having individual reference numbers can be purchased separately.
- C. After the Reference Number has been identified, refer to the Numerical text, where Reference and Primary Part Number are listed. **THE PRIMARY PART IS USED ON ALL TYPE NUMBERS EXCEPT THOSE TYPE NUMBERS UNDER "NOTE."**
- D. If a "Note" appears below the Primary Part Number, it means that this part differs from the Primary Part for certain types. If your Type number is listed under "Note," order the part referred to at the "Note."
- E. If your Engine Type Number does not appear after any part number listed under "Note," use the Primary Part Number.
- F. For Engine Type Numbers not covered by this book, check other Parts Lists having the same engine model or contact your source of supply.

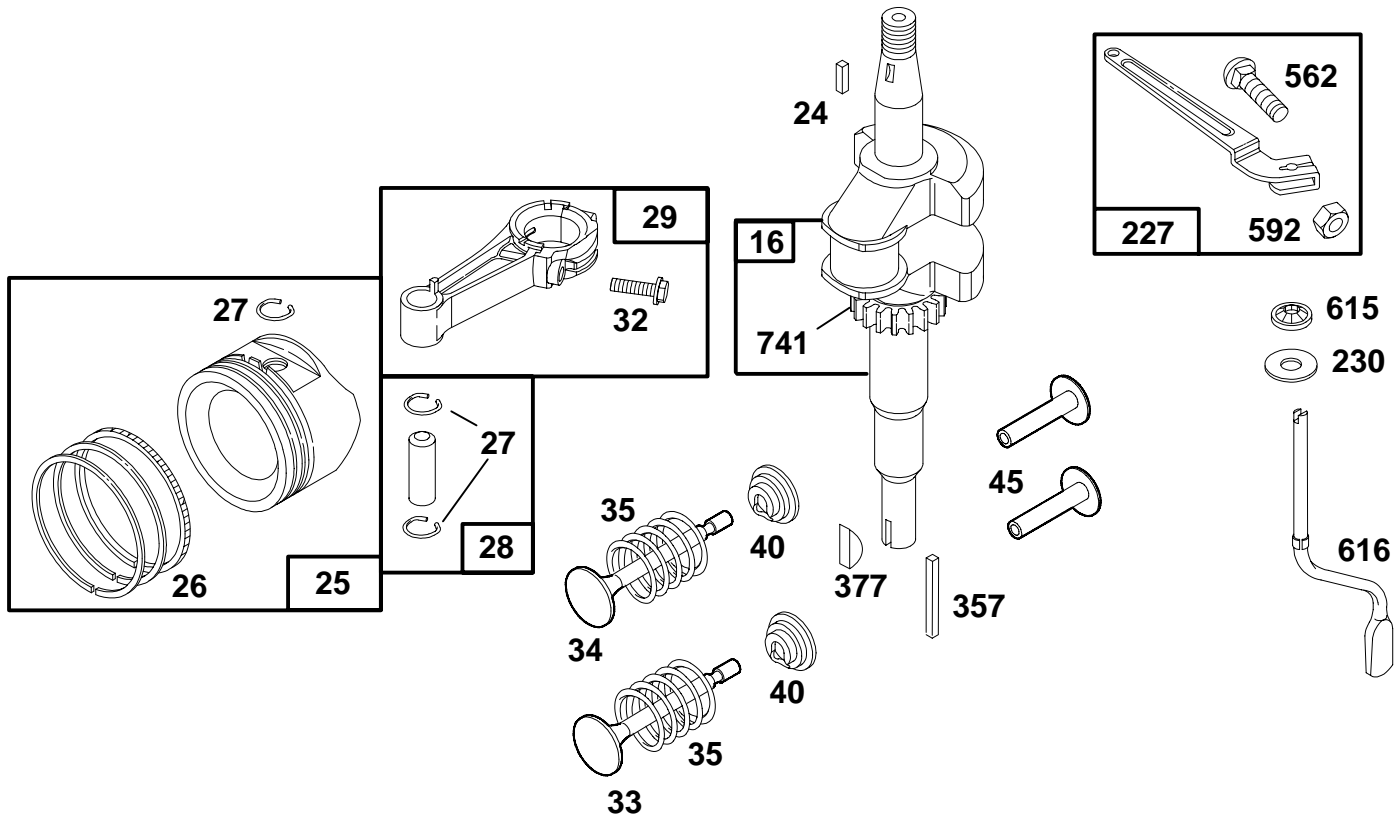
PRINTED IN U.S.A.

COPYRIGHT©

BRIGGS & STRATTON

®

121700 to 121799



REF. NO.	PART NO.	DESCRIPTION	REF. NO.	PART NO.	DESCRIPTION	REF. NO.	PART NO.	DESCRIPTION
16		Crankshaft See Last Pages.			493390 Ring Set (.030" O.S.)	45	262204	Tappet-Valve
24	222698	Key-Flywheel	27	26026	Lock-Piston Pin	227	492349	Lever Assembly-Gov.
25	493262	Piston Assy. (Standard)	28	298909	Pin-Piston (Standard)	230	67072	Washer-Gov. Crank
		493385 Piston Assy. (.010" O.S.)			298908 Pin-Piston (.005" O.S.)	357	91539	Key-Crankshaft
		493386 Piston Assy. (.020" O.S.)	29	490	Rod-Connecting	377	94329	Key-Crankshaft (For 25 mm. Crankshaft)
		493387 Piston Assy. (.030" O.S.)			490566 Rod-Connecting	Note		
26	493261	Ring Set (Standard)			94405 Screw-Connecting Rod		93065	Key-Crankshaft (For 7/8" Dia. Crankshaft)
		493388 Ring Set (.010" O.S.)	32	94405	Screw-Connecting Rod	562	92613	Bolt-Governor Lever
		493389 Ring Set (.020" O.S.)	33	262651	Valve-Exhaust	592	231082	Nut-Hex.
			34	262652	Valve-Intake	615	94474	Fastener
			35	262224	Spring-Valve	616	262578	Crank-Governor
			40	93312	Retainer-Valve	741	262598	Gear-Timing

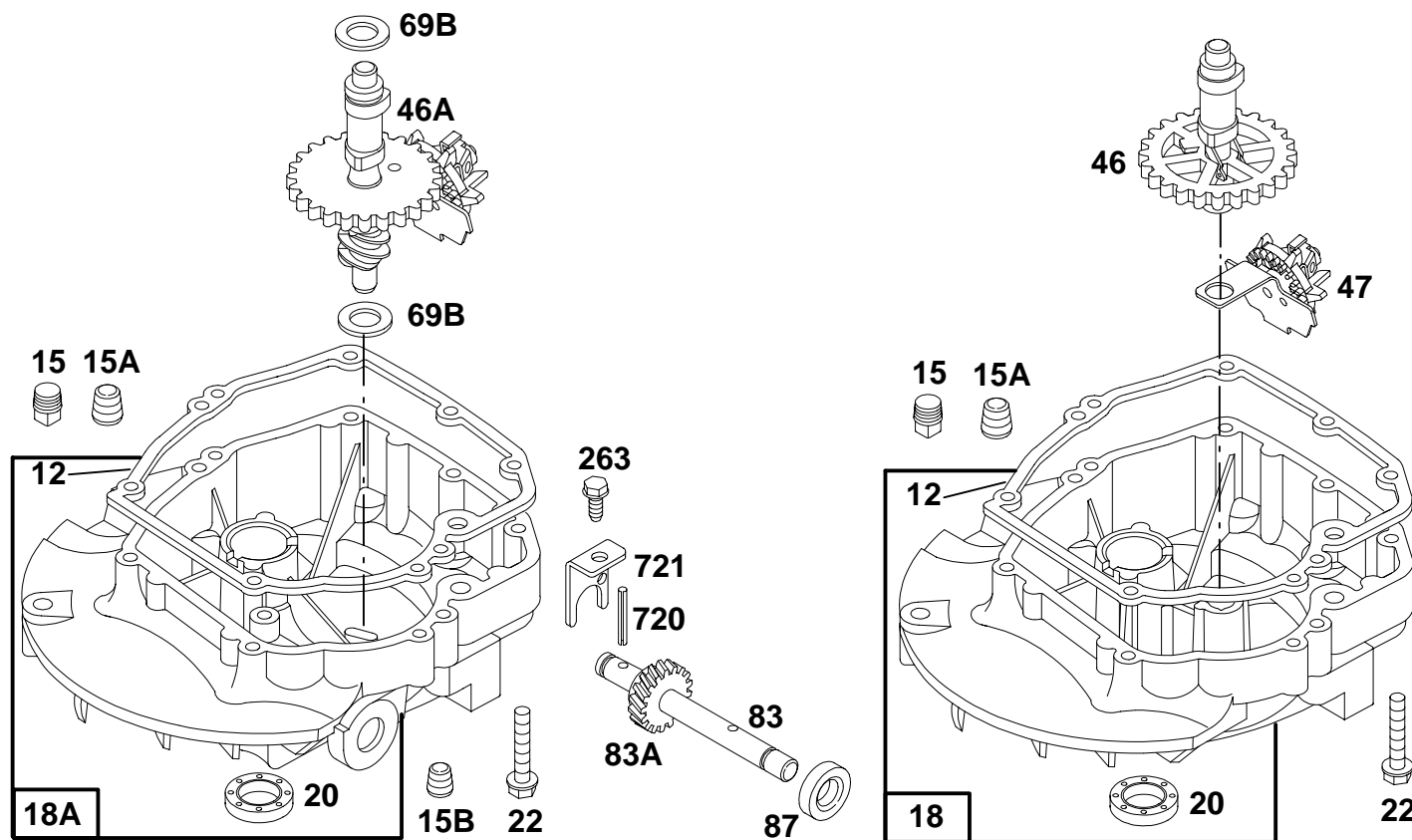
- ★ Included in Gasket Set-See Ref. 358.
- ◆ Included in Carburetor Gasket Set-Part No. 490937.
- Included in Carburetor Kit-See Ref. 121.

6592-3

Assemblies include all parts shown in frames.

94

121700 to 121799



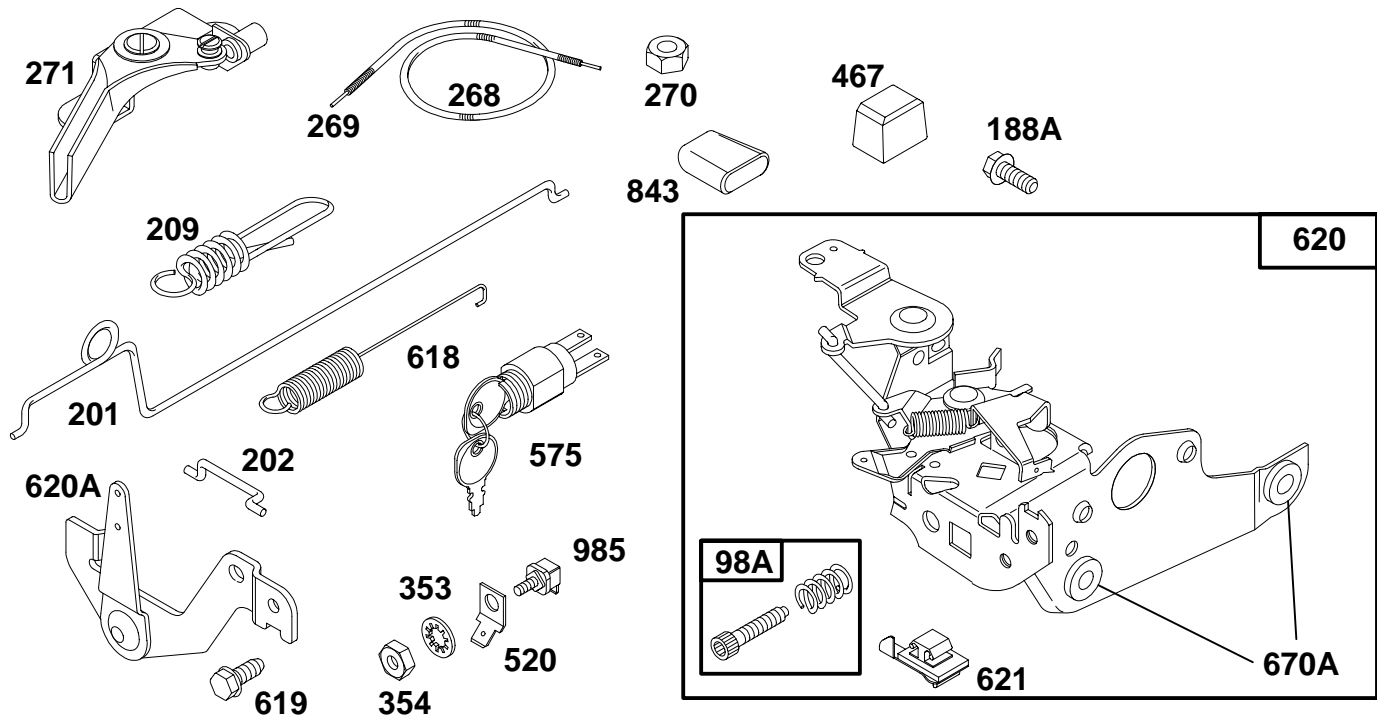
REF. NO.	PART NO.	DESCRIPTION	REF. NO.	PART NO.	DESCRIPTION	REF. NO.	PART NO.	DESCRIPTION
12	★272198	Gasket-Crankcase	47	493737	Slinger-Oil (Used After Code Date 90030456 and 90031800).	83A	231278	Gear-Drive
15	94239	Plug-Oil Drain			Note			231748 Shaft-Drive Used on Type No(s). 0273.
15A	93613	Plug-Oil Drain			492524 Slinger-Oil (Used Before Code Date 90030556 and 90031900).			231279 Gear-Drive Used on Type No(s). 0123, 0151, 0152, 0170, 0174, 0176, 0208, 0209, 0254, 0269, 0273, 3133, 3143, 3146, 3154, 7051.
15B	94470	Plug-Pipe (1/16-27 NPTF)	69B	68938	Washer-Thrust	87	391484	Seal-Oil
18	493279	Sump-Engine	83	231671	Shaft-Drive	263	93572	Screw-Shaft Stop
18A	493365	Sump-Engine			Note	720	93474	Pin-Roll
20	★399781	Seal-Oil			231711 Shaft-Drive Used on Type No(s). 3133.	721	224249	Stop-Shaft
22	94220	Screw-Hex. Head						
		Note						
		94612 Screw-Hex. Head One Used in Hole Nearest Breather.						
46	492828	Gear-Cam						
46A		Gear-Cam See Last Pages.						

- ★ Included in Gasket Set-See Ref. 358.
- ◆ Included in Carburetor Gasket Set-Part No. 490937.
- Included in Carburetor Kit-See Ref. 121.

6592-4

Assemblies include all parts shown in frames.

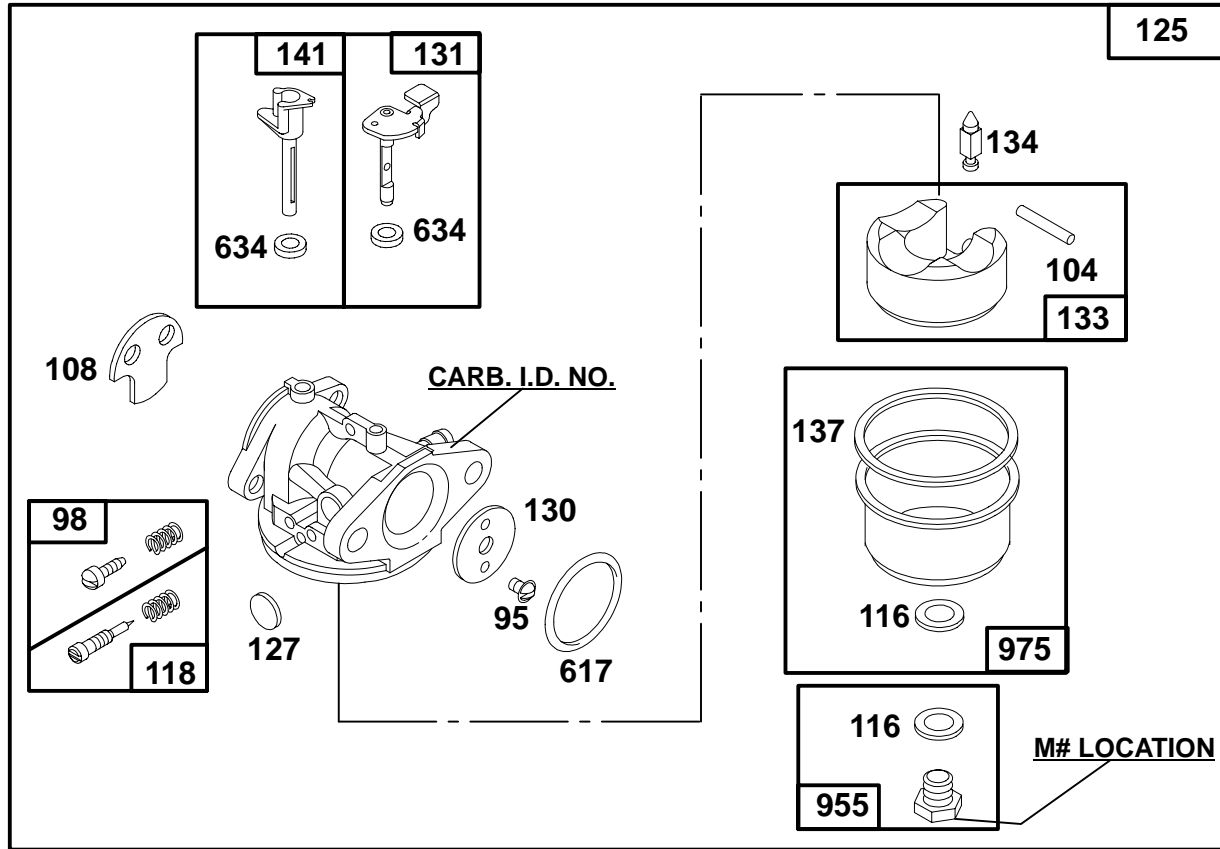
121700 to 121799



REF. NO.	PART NO.	DESCRIPTION	REF. NO.	PART NO.	DESCRIPTION	REF. NO.	PART NO.	DESCRIPTION	
98A	493280	Screw—Speed Adj.	269	26633	Wire—Control (78" Long)	618	262749	Spring (Used After Code Date 90060300).	
188A	94644	Screw—Hex. Hd.		26099	Wire—Control (54" Long)			Note	
201	262579	Link			If Longer Wire is Needed, Specify Length in Inches; if Shorter Wire is Needed, Cut to Length.		260870	Spring (Used Before Code Date 90060400).	
202	262782	Link	270	63426	Locknut—Casing	619	94620	Screw—Hex. Head	
209		Spring—Governor	271	290568	Lever—Control	620		Bracket—Control	
		See Last Pages.	353	92791	Washer—Lock		620A	Bracket—Control	
268	65616	Casing—Wire (72" Long)	354	90576	Nut—Hex.	621	396847	Switch—Stop	
	66986	Casing—Wire (48" Long)	467	280857	Knob	670A	★493823	Spacer (Includes 2)	
		If Longer Casing is Needed, Specify Length in Inches; if Shorter Casing is Needed, Cut to Length.	520	93722	Terminal		843	272616	Sleeve—Lever
			575	396291	Switch—Starting		985	398525	Insulator Assembly
					Include(s):				
					392832			Key Set	

- ★ Included in Gasket Set—See Ref. 358.
- ◆ Included in Carburetor Gasket Set—Part No. 490937.
- Included in Carburetor Kit—See Ref. 121.

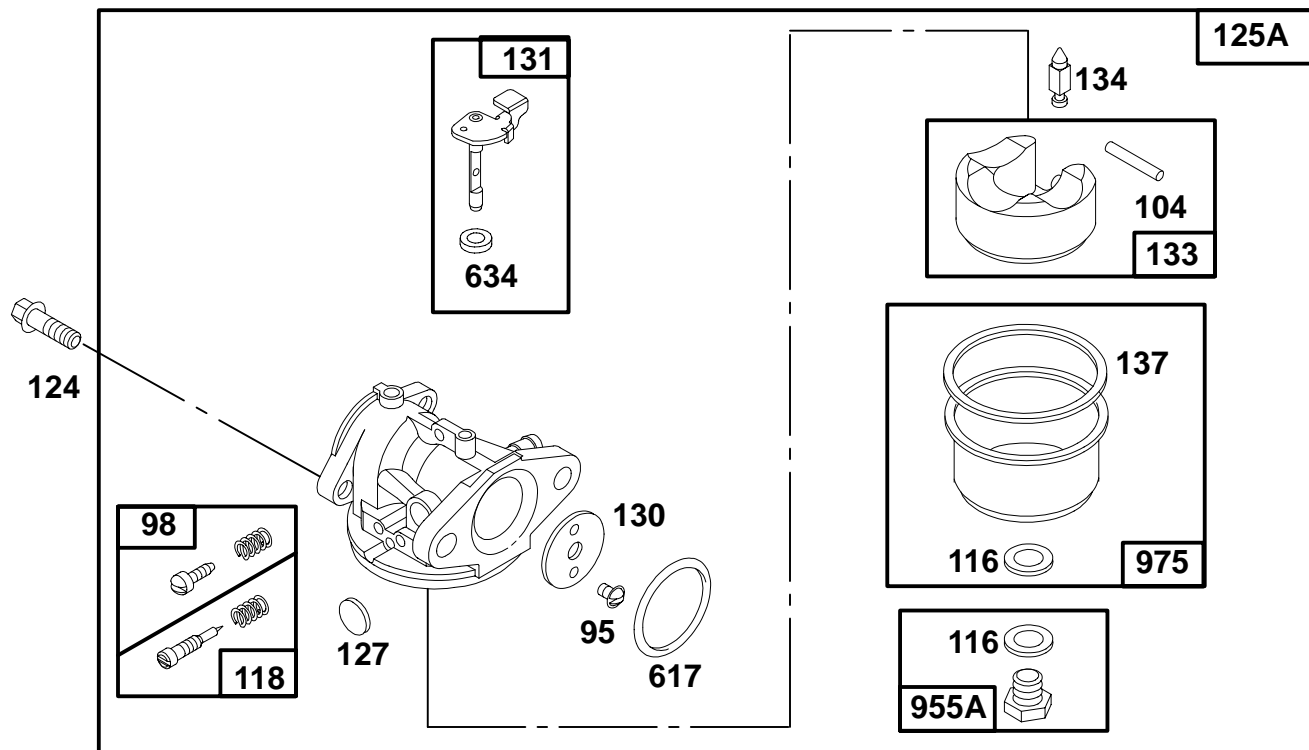
121700 to 121799



REF. NO.	PART NO.	DESCRIPTION	REF. NO.	PART NO.	DESCRIPTION	REF. NO.	PART NO.	DESCRIPTION
95	94098	Screw-Round head		493764	Carburetor (Used Before Code Date 90060400).	617	♦♦270344	Seal-Fuel Intake Tube
98	398185	Screw-Idle Adjustment		Note		634	♦♦	Washer-Shaft (Sold in Kit Only)
104	♦♦231371	Pin-Float Hinge		493627	Carburetor (For Primer) (Used Before Code Date 93080200). Used on Type No(s). 0273.	955	493637	Screw-Bowl Mtg. OR
108	223471	Valve-Choke		127	• Plug-Welch (Sold in Kit Only)		494870	Screw-Bowl Mtg. (For High Altitude) (Used After Code Date 90060300 and Before Code Date 90060400 on Carburetor I.D. No. M26).
116	♦♦	Gasket-Sealing (Sold in Kit Only)		130	223470 Valve-Throttle		Note	
118	♦493765	Valve Kit-Needle (Used After Code Date 90060300 and Before Code Date 90060400 on Carburetor I.D. No. M24).		131	493267 Shaft-Throttle		496063	Screw-Bowl Mtg.
		Note		133	398187 Float-Carburetor		OR	
		492945 Valve Kit-Needle Used Before Code Date 90060400 on Carburetor I.D. No. M26).		134	♦398188 Valve-Needle (Includes Seat)		494870	Screw-Bowl Mtg. (For High Altitude) (Used Before Code Date 93080200). Used on Type No(s). 0273.
124	94525	Screw-Carburetor Mtg.		137	♦♦ Gasket-Float Bowl (Sold in Kit Only)		975	493640 Bowl-Float
125	494216	Carburetor (Used After Code Date 90060300).		141	494218 Shaft-Choke (Used After Code Date 90060300).			
				Note				
				493266	Shaft-Choke (Used Before Code Date 90060400).			

- ★ Included in Gasket Set-See Ref. 358.
- ♦ Included in Carburetor Gasket Set-Part No. 490937.
- Included in Carburetor Kit-See Ref. 121.

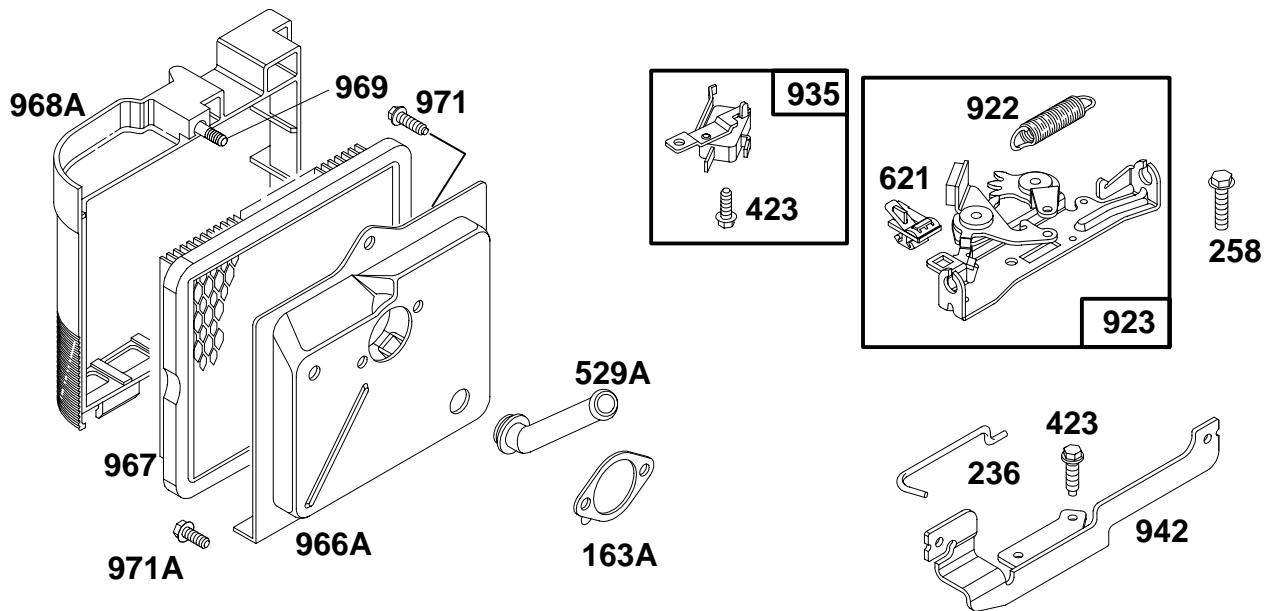
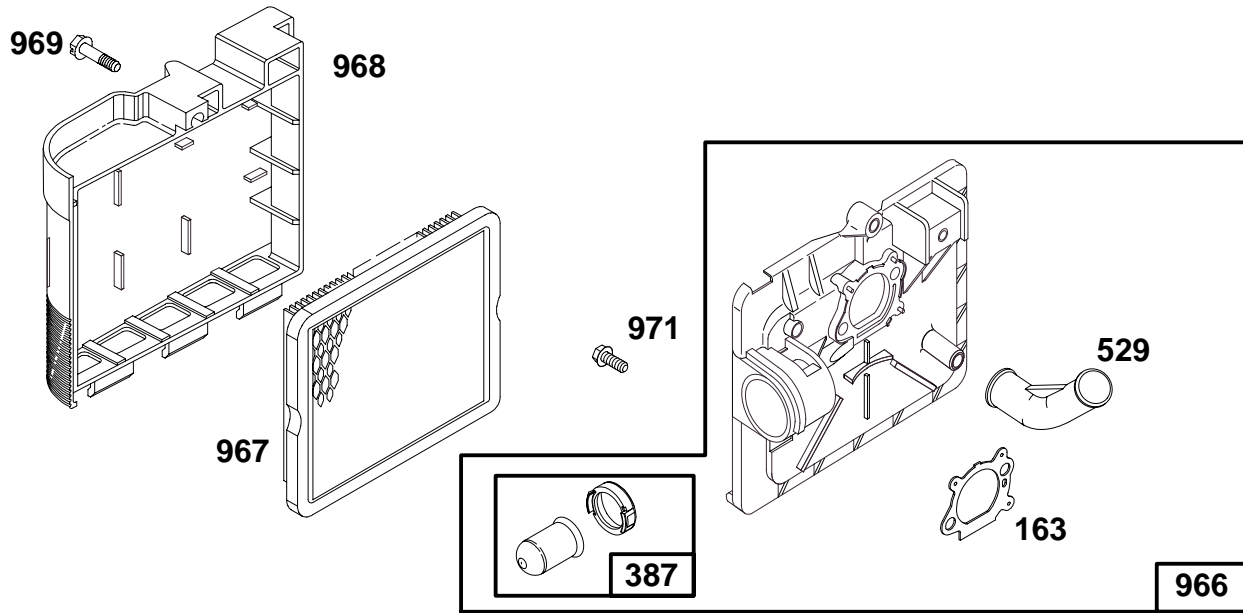
121700 to 121799



REF. NO.	PART NO.	DESCRIPTION	REF. NO.	PART NO.	DESCRIPTION	REF. NO.	PART NO.	DESCRIPTION
95	94098	Screw-Round Head	127	•	Plug-Welch (Sold in Kit Only)	955A	493637	Screw-Fuel Bowl (Standard) (Used After Code Date 93080100).
98	398185	Screw-Idle Adjustment	130	223470	Valve-Throttle			Note ———
104	•231371	Pin-Float Hinge	131	493267	Shaft-Throttle			494870 Screw-Fuel Bowl
116	•♦	Gasket-Sealing (Sold in Kit Only)	133	398187	Float-Carburetor			(For High Altitude) (Used After Code Date 93080100).
118	•493765	Valve Kit-Needle	134	•398188	Valve-Needle (Includes Seat)			975 493640 Bowl-Float
124	94525	Screw-Carburetor Mtg.	137	•♦	Gasket-Float Bowl (Sold in Kit Only)			
125A	496114	Carburetor (For Primer) (Used After Code Date 93080100).	617	•♦270344	Seal-Fuel Intake Tube			
			634	•♦	Washer-Shaft (Sold in Kit Only)			

★ Included in Gasket Set-See Ref. 358.
 ♦ Included in Carburetor Gasket Set-Part No. 490937.
 • Included in Carburetor Kit-See Ref. 121.

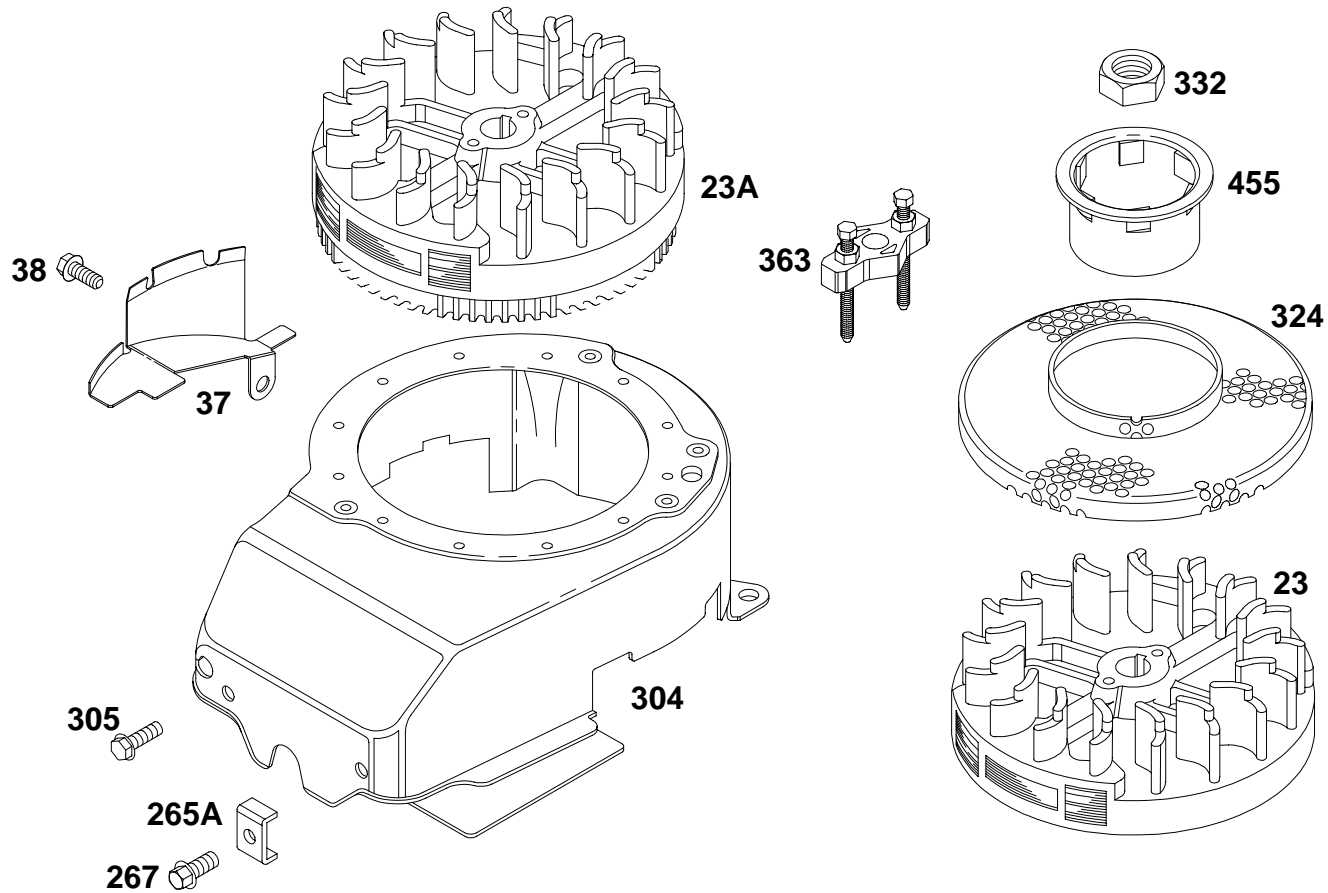
121700 to 121799



REF. NO.	PART NO.	DESCRIPTION	REF. NO.	PART NO.	DESCRIPTION	REF. NO.	PART NO.	DESCRIPTION
163	★272653	Gasket-Air Cleaner	923	493442	Brake Assembly	966A	492363	Base-Air Cleaner (Metal)
163A	★272296	Gasket-Air Cleaner	935	398758	Switch-Interlock			(Used Before Code Date 93080200).
236	262461	Link-Lock Out	942	224494	Bracket-Brake	967	491588	Filter-Air
258	94512	Screw-Hex. Head	966	496116	Base-Air Cleaner (Primer Style)	968	281340	Cover-Air Cleaner
387	496115	Primer-Carburetor			(Used After Code Date 93080100).	968A	281069	Cover-Air Cleaner
423	93758	Screw-Hex. Hd.				969	94120	Screw-Air Cleaner
529	281299	Grommet				971	94121	Screw-Air Cleaner
529A	280943	Grommet				971A	94269	Screw-Hex. Head
621	396847	Switch-Stop						
922	262640	Spring-Brake						

- ★ Included in Gasket Set-See Ref. 358.
- ◆ Included in Carburetor Gasket Set-Part No. 490937.
- Included in Carburetor Kit-See Ref. 121.

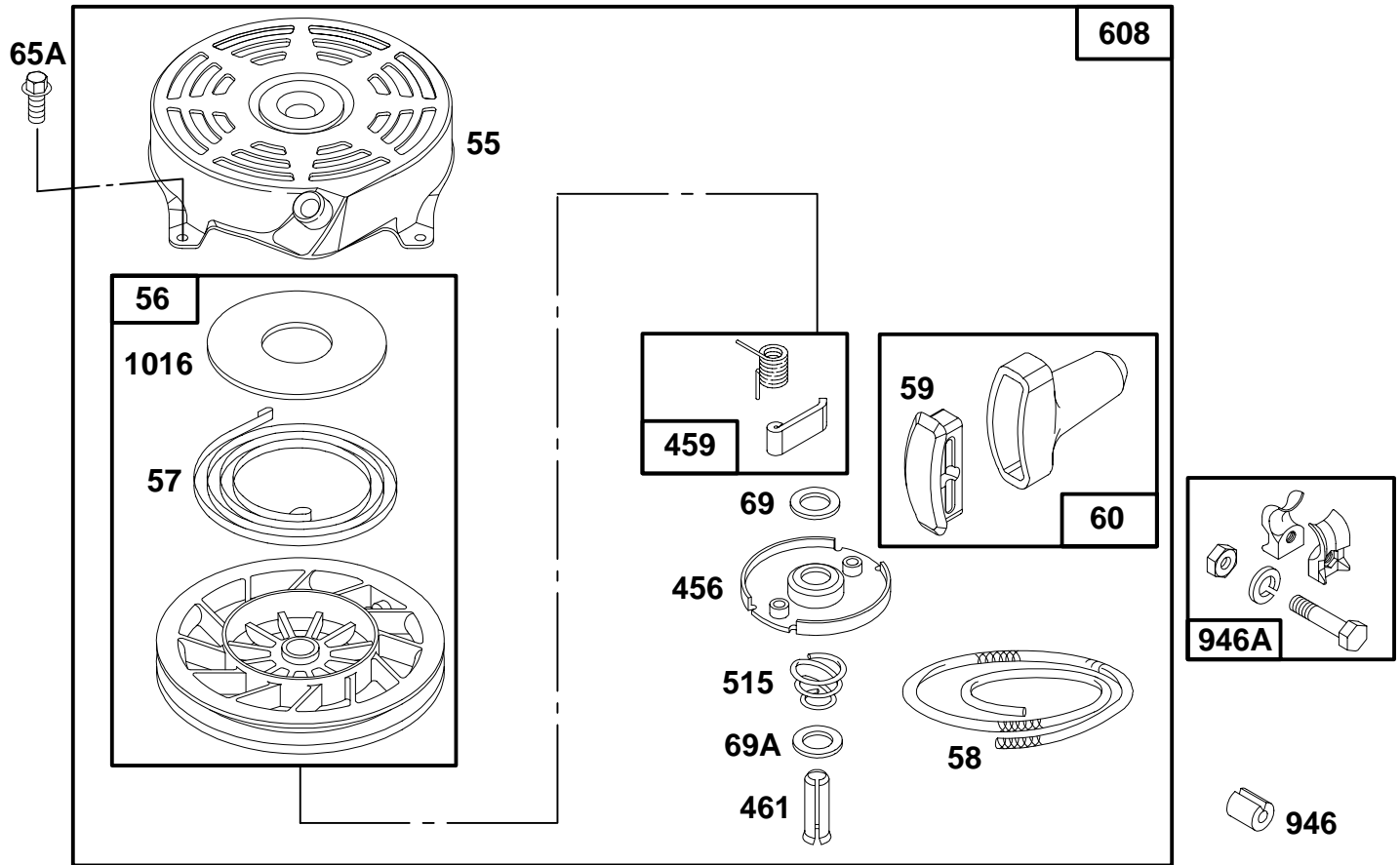
121700 to 121799



REF. NO.	PART NO.	DESCRIPTION	REF. NO.	PART NO.	DESCRIPTION	REF. NO.	PART NO.	DESCRIPTION
23	492177	Flywheel	267	94204	Screw—Hex. Head	305	94513	Screw—Sem
23A	492175	Flywheel	304	493294	Housing—Blower	Note		
		Note			Used on Engines Without Band Brake.			94513 Screw—Sem.
		492893 Flywheel			Note			94167 Stud
		Used on Type No(s). 0143, 0144, 0197, 0213, 0215, 0227, 0256, 0273.			493293 Housing—Blower			90832 Washer—Lock
37	224511	Guard—Flywheel			Used on Engines With Band Brake.	324	224251	Screen—Rotating
38	94608	Screw—Hex. Head				332	92284	Nut—Flywheel
265A	22372	Clamp—Casing				363	19069	Flywheel Puller
						455	224250	Cup—Flywheel

- ★ Included in Gasket Set—See Ref. 358.
- ◆ Included in Carburetor Gasket Set—Part No. 490937.
- Included in Carburetor Kit—See Ref. 121.

121700 to 121799



REF. NO.	PART NO.	DESCRIPTION	REF. NO.	PART NO.	DESCRIPTION	REF. NO.	PART NO.	DESCRIPTION
55	492831	Housing—Rewind Starter	65A	94579	Screw—Hex. Head	608	493295	Starter—Rewind
56	493824	Pulley—Starter	69	280973	Washer—Spring			Include(s):
57	262594	Spring—Starter	69A	224322	Washer—Flat			94128 Screw—Hex. Hd
58	280399	Rope—Starter (Cut To Suit)	456	224321	Retainer—Spring			92987 Nut—Hex.
59	396892	Insert—Handle	459	492833	Pawl—Ratchet	946	223294	Stop—Rope
60	393152	Grip—Starter Rope	461	262626	Pin—Shaft	946A	396526	Guide—Rope
			515	262625	Spring—Retainer	1016	224278	Cover—Pulley

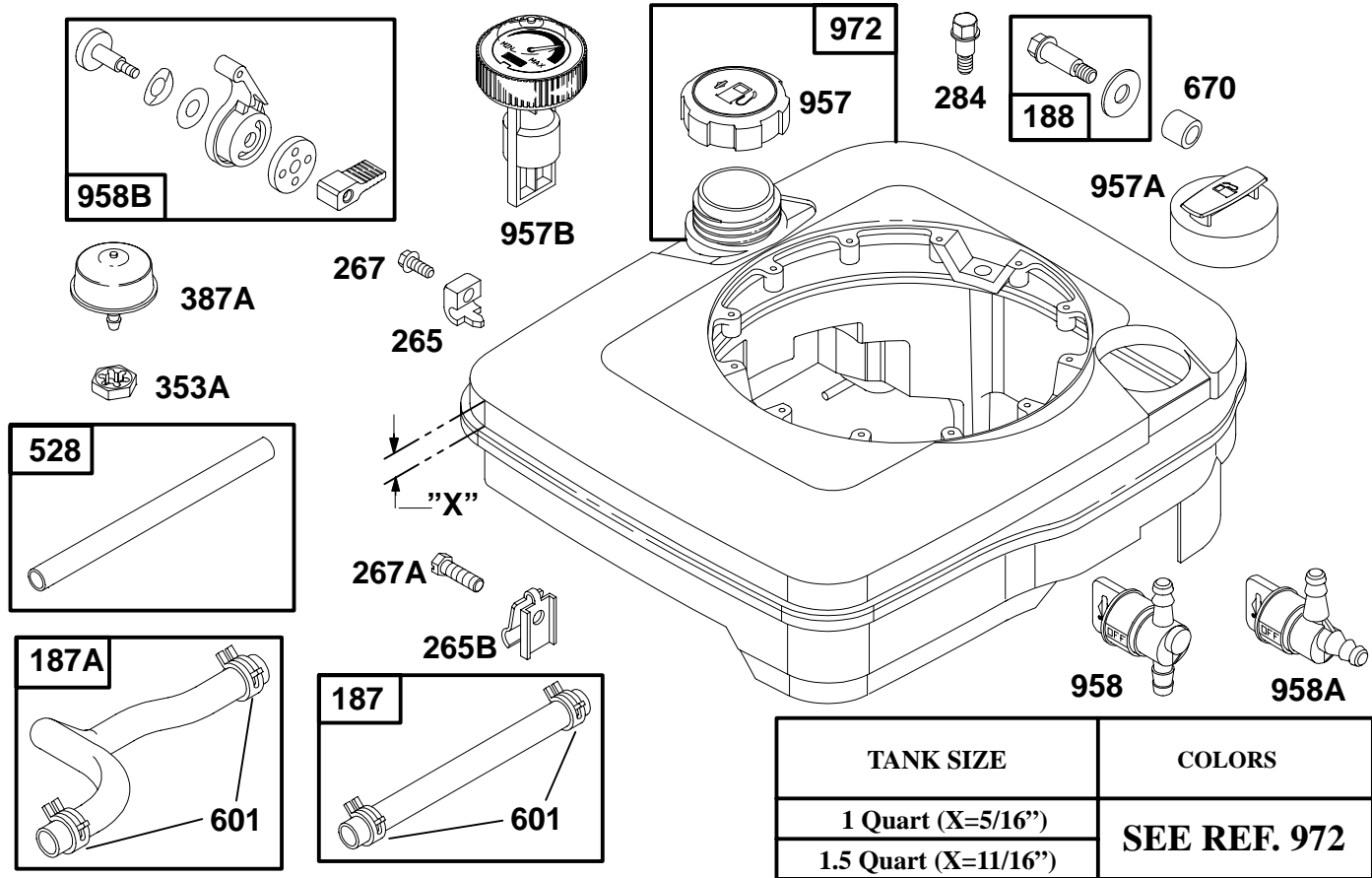
- ★ Included in Gasket Set—See Ref. 358.
- ◆ Included in Carburetor Gasket Set—Part No. 490937.
- Included in Carburetor Kit—See Ref. 121.

6592-10

Assemblies include all parts shown in frames.

94

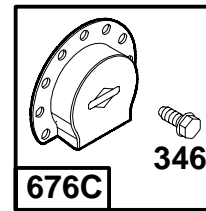
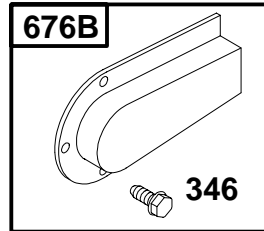
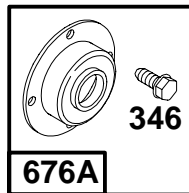
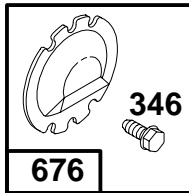
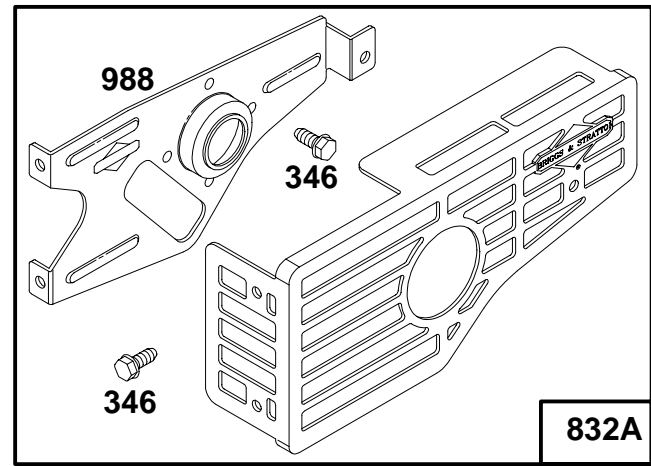
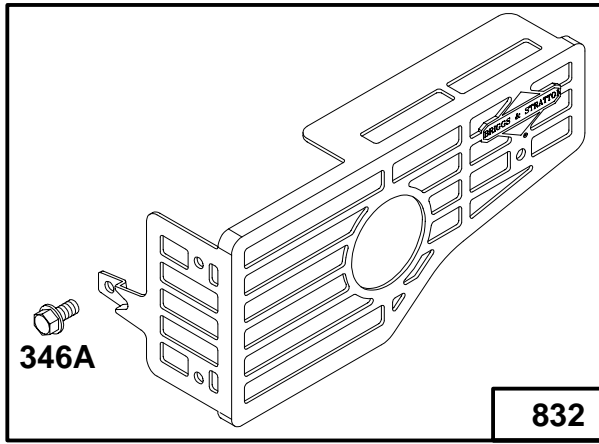
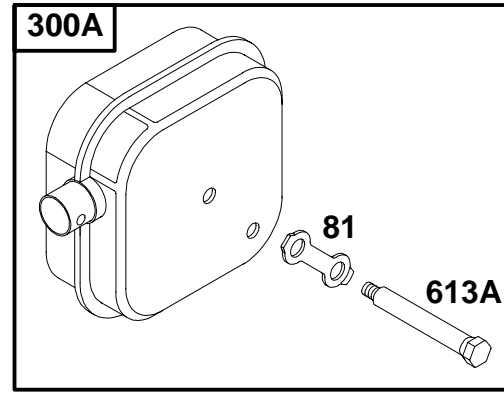
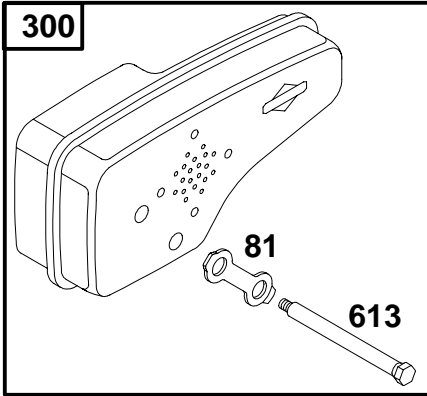
121700 to 121799



REF. NO.	PART NO.	DESCRIPTION	REF. NO.	PART NO.	DESCRIPTION	REF. NO.	PART NO.	DESCRIPTION
187	492790	Line-Fuel (Cut To Suit)	353A	94581	Locknut	670	280512	Spacer
187A	492791	Line-Fuel	387A	394281	Primer-Fuel	957	397974	Cap-Fuel Tank
188	398540	Screw-Tank Mounting	528	399254	Hose-Fuel (For Primer)	957A	493017	Cap-Fuel Tank
265	213146	Clamp-Casing	601	93053	Clamp-Hose (Green)	957B	494277	Cap-Fuel Tank
265B	224057	Clamp-Casing	Note _____			958	493960	Valve-Shut-Off
267	94204	Screw-Clamp Mtg.				958A	494539	Valve-Shut-Off
267A	94264	Screw-Clamp Mtg.	958B	494235	Valve-Shut-Off	972		Tank-Fuel
284	94511	Screw-Hex. Hd.			93807	Clamp-Hose (Black)		See Last Pages.

- ★ Included in Gasket Set-See Ref. 358.
- ◆ Included in Carburetor Gasket Set-Part No. 490937.
- Included in Carburetor Kit-See Ref. 121.

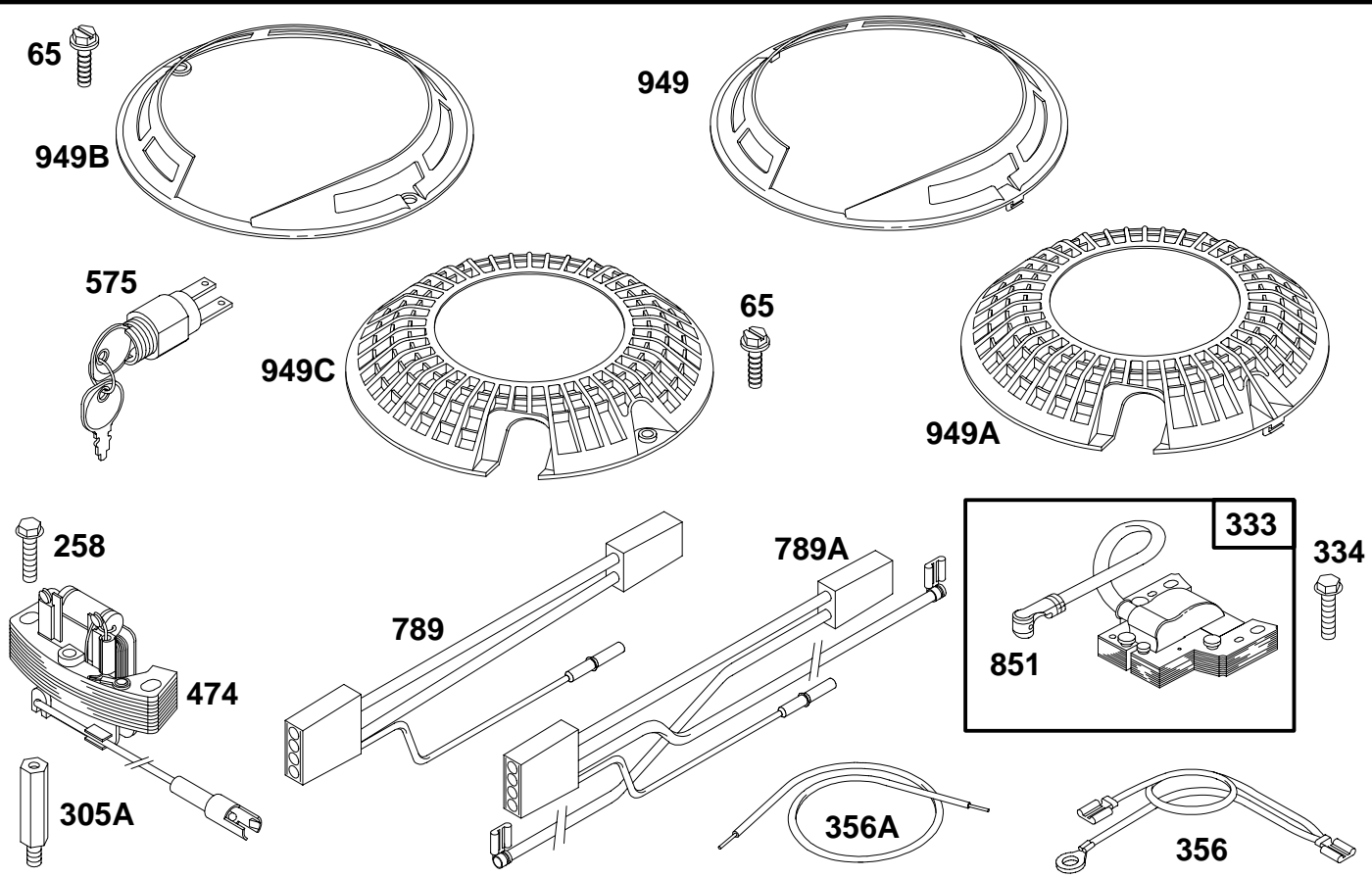
121700 to 121799



REF. NO.	PART NO.	DESCRIPTION	REF. NO.	PART NO.	DESCRIPTION	REF. NO.	PART NO.	DESCRIPTION
81	223664	Lock-Muffler Screw	613	94231	Screw-Hex. Hd.	676C	393760	Deflector-Muffler
300	490547	Muffler-Exhaust	613A	94615	Screw-Hex. Hd.	832	494224	Guard-Muffler
300A	494343	Muffler-Exhaust (Square Lo-Tone)	676	393756	Deflector-Muffler	832A	494224	Guard-Muffler
346	93705	Screw-Hex. Hd.	676A	397931	Deflector-Muffler	883	★272253	Gasket-Muffler
346A	94602	Screw-Hex. Hd.	676B	493871	Deflector-Muffler	988	223828	Bracket-Muffler Guard

- ★ Included in Gasket Set-See Ref. 358.
- ◆ Included in Carburetor Gasket Set-Part No. 490937.
- Included in Carburetor Kit-See Ref. 121.

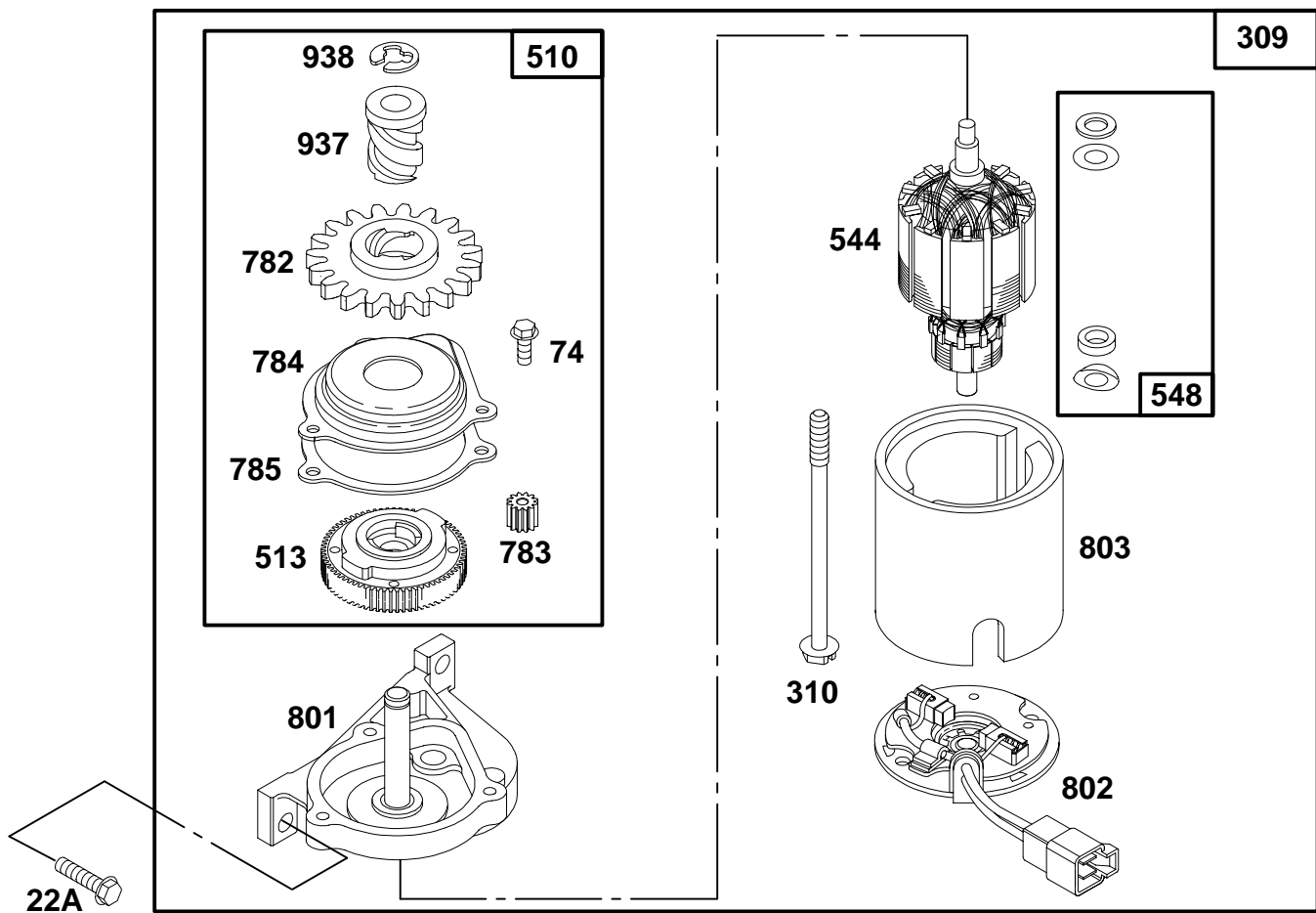
121700 to 121799



REF. NO.	PART NO.	DESCRIPTION	REF. NO.	PART NO.	DESCRIPTION	REF. NO.	PART NO.	DESCRIPTION
65	94058	Screw-Hex. Head	789A	493380	Harness-Wiring Used on Engines With Band Brake.	949B	280980	Trim-Ring (Screw in Style For 1 Quart Tank)
258	94512	Screw-Hex. Head	851	221798	Terminal-Cable	949C	280946	Guard-Finger (Screw in Style For 1-1/2 Quart Tank)
305A	94510	Stud-Alternator Mtg.	949	281187	Trim-Ring (Snap-in Style For 1 Quart Tank)	<p align="center">Note</p> <p>281136 Guard-Finger (Snap-in Style For 1-1/2 Quart Tank)</p>		
333	802574	Armature-Magneto	949A	281130	Guard-Finger (Snap-in Style For 1 Quart Tank)			
334	93381	Screw-Sem				<p align="center">Note</p> <p>281089 Guard-Finger (Screw in Style For 1 Quart Tank)</p>		
356	398808	Wire-Stop						
356A	494250	Wire-Stop						
474	492841	Alternator						
575	396291	Switch-Starting						
789	493379	Harness-Wiring Used on Engines Without Band Brake.						

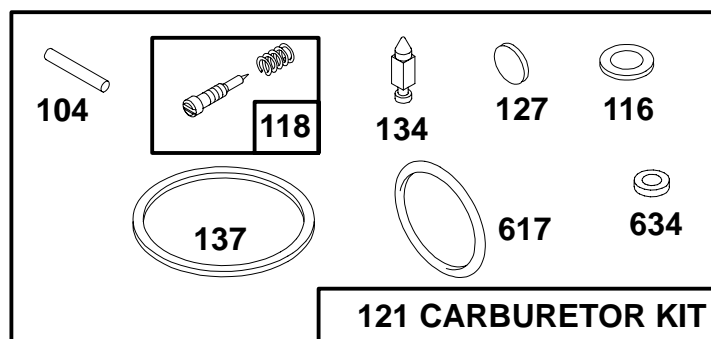
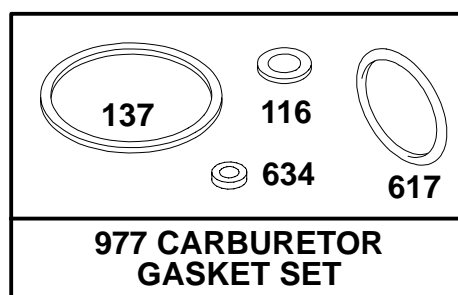
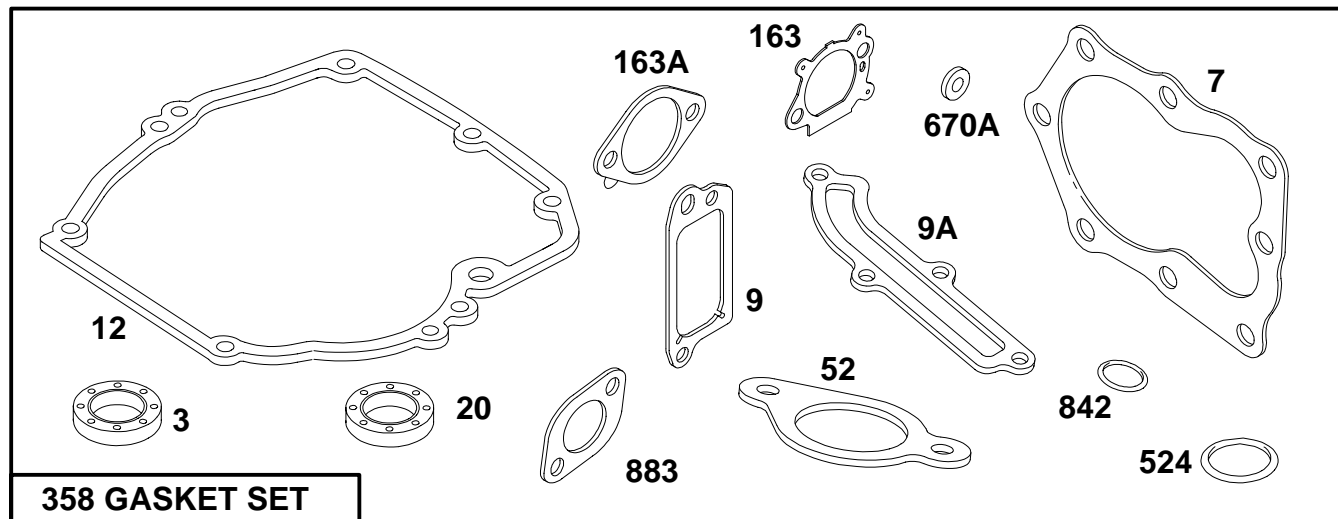
- ★ Included in Gasket Set-See Ref. 358.
- ◆ Included in Carburetor Gasket Set-Part No. 490937.
- Included in Carburetor Kit-See Ref. 121.

121700 to 121799



REF. NO.	PART NO.	DESCRIPTION	REF. NO.	PART NO.	DESCRIPTION	REF. NO.	PART NO.	DESCRIPTION
22A	94268	Screw-Hex. Head	782	281127	Gear-Starter	802	492922	Cap-End
74	93490	Screw-Sem			(Used After Code Date 90063000).	803	492920	Housing-Starter
309	494233	Motor-Starter			Note	937	281125	Spline-Starter
310	94553	Bolt-Thru			494146 Pinion-Starter			(Used After Code Date 90063000).
510	494147	Drive-Starter			(Includes Spline)			Note
513	394815	Clutch-Drive			(Used Before Code Date 90070100).			494146 Spline-Starter
544	492921	Armature-Starter	783	261606	Gear-Starter			(Includes Pinion)
548	492919	Washer Set	784	224262	Cover-Gear			(Used Before Code Date 90070100).
			785	272201	Gasket-Cover	938	93941	Retainer-Lock
			801	492335	Cap-Drive			

- ★ Included in Gasket Set-See Ref. 358.
- ◆ Included in Carburetor Gasket Set-Part No. 490937.
- Included in Carburetor Kit-See Ref. 121.



REF. NO.	PART NO.	DESCRIPTION	REF. NO.	PART NO.	DESCRIPTION	REF. NO.	PART NO.	DESCRIPTION			
3	★393862	Seal-Oil	121	493762	Carburetor Kit (Used After Code Date 90060300 and Before Code Date 90060400 on Carb. I.D. No. M24)	163	★272653	Gasket-Air Cleaner			
7	★272200	Gasket-Cylinder Head				163A	★272296	Gasket-Air Cleaner			
9	★272481	Gasket-Breather				358	496117	Gasket Set (Used After Code Date 93080100).			
9A	★272238	Gasket-Breather				————— Note —————					
12	★272198	Gasket-Crankcase				493263 Gasket Set (Used Before Code Date 93080200).					
20	★399781	Seal-Oil				524					
52	★272199	Gasket-Intake Elbow				★280393 Seal-Fill Tube					
104	●231371	Pin-Float Hinge				617					
116	◆	Gasket-Sealing (Sold in Kit Only)				●270344 Seal-Fuel Intake Tube					
118	●493765	Valve Kit-Needle (Used After Code Date 90060300 and Before Code Date 90060400 on Carb. I.D. No. M24).				634					
————— Note —————						127	●	Plug-Welch (Sold in Kit Only)	670A	★493823	Spacer (Includes 2)
492945 Valve Kit-Needle						134	●398188	Valve-Needle (Includes Seat)	842	★280966	Seal-Cap
						137	◆	Gasket-Float Bowl (Sold in Kit Only)	883	★272253	Gasket-Exhaust Pipe
									977	490937	Gasket Set-Carburetor

★ Included in Gasket Set-See Ref. 358.
 ◆ Included in Carburetor Gasket Set-Part No. 490937.
 ● Included in Carburetor Kit-See Ref. 121.

121700 to 121799

REF. NO.	PART NO.	DESCRIPTION	REF. NO.	PART NO.	DESCRIPTION	REF. NO.	PART NO.	DESCRIPTION												
16	493282	Crankshaft Note For Timing Gear Key. Order Part No. 94388. 493362 Crankshaft Used on Type No(s). 0105, 0119, 0120, 0123, 0124, 0130, 0135, 0140, 0148, 0150, 0151, 0152, 0155, 0158, 0160, 0161, 0163, 0167, 0168, 0170, 0181, 0183, 0184, 0185, 0197, 0201, 0208, 0209, 0213, 0214, 0217, 0226, 0228, 0233, 0239, 0241, 0242, 0243, 0244, 0248, 0249, 0253, 0254, 0257, 0258, 0261, 0264, 0273, 0418, 0419, 0465, 3117, 3118, 3119, 3120, 3123, 3137, 3143, 3146, 3158, 3180, 3185, 4003, 4006, 4007, 4008, 4009, 7015, 7051. 493363 Crankshaft Used on Type No(s). 0107, 0121, 0122, 0125, 0126, 0129, 0133, 0142, 0143, 0144, 0147, 0149, 0165, 0169, 0189, 0196, 0200, 0203, 0207, 0210, 0212, 0215, 0216, 0219, 0221, 0222, 0224, 0227, 0234, 0240, 0245, 0246, 0256, 0268, 0270, 0416, 0426, 3122, 3131, 4002, 3147, 7016. 493433 Crankshaft Used on Type No(s). 3130, 3133, 3179, 7024. 493566 Crankshaft Used on Type No(s). 0146, 0153, 0190, 0192, 0205, 0206, 0247, 0252.																		
			46A	493739	Gear–Cam (Clockwise) (Used After Code Date 90030456 and 90031800). 492668 Gear–Cam (Clockwise) (Used Before Code Date 90030556 and 90031900). Note 493741 Gear–Cam (Counterclockwise) (Used After Code Date 90030456 and 90031800). 492669 Gear–Cam (Counterclockwise) (Used Before Code Date 90030556 and 90031900). Used on Type No(s). 0123, 0151, 0152, 0170, 0174, 0176, 0208, 0209, 0254, 0269, 0273, 3133, 3143, 3146, 3154, 7051.															
			209	262656	Spring–Governor Note 262654 Spring–Gov. Used on Type No(s). 0161.															262657 Spring–Gov. Used on Type No(s). 3126, 3132, 3134, 3135, 3141. 262658 Spring–Gov. Used on Type No(s). 0155, 0227, 0273, 3133. 262659 Spring–Gov. Used on Type No(s). 3130. 262660 Spring–Gov. Used on Type No(s). 0229, 0273, 3117, 3118, 3119, 3120, 3122, 3124, 3127, 3131, 3137, 3146, 3179, 3180, 3185, 4000, 4002, 4003, 4006, 7015, 7016, 7018, 7024, 7025, 7026, 7051. 262661 Spring–Gov. Used on Type No(s). 0101, 0102, 3101, 3102, 3109, 3139, 3140, 3142, 3143. 262664 Spring–Gov. Used on Type No(s). 0130, 0141, 0143, 0144, 0148, 0156, 0158, 0162, 0172, 0175, 0183, 0186, 0187, 0190, 0191, 0213, 0230, 0231, 0232, 0233, 0234, 0239, 0242, 0248, 0250, 0252, 0254, 0259, 0260, 0265, 0266, 0271, 0275, 3123, 3158. 262665 Spring–Gov. Used on Type No(s). 0131, 0132, 0142, 0146, 0149, 0150, 0152, 0153, 0157, 0161, 0172, 0175, 0183, 0184, 0186, 0192, 0198, 0204, 0205, 0206, 0208, 0209, 0212, 0215, 0221, 0222, 0228, 0240, 0246, 0247, 0256, 0270, 3116, 4001, 4007, 4009.

- ★ Included in Gasket Set—See Ref. 358.
- ◆ Included in Carburetor Gasket Set—Part No. 490937.
- Included in Carburetor Overhaul Kit—See Ref. 121.

121700 to 121799

REF. NO.	PART NO.	DESCRIPTION	REF. NO.	PART NO.	DESCRIPTION	REF. NO.	PART NO.	DESCRIPTION	
	262666	Spring-Gov. Used on Type No(s). 0103, 0104, 0105, 0106, 0107, 0108, 0109, 0115, 0116, 0117, 0118, 0119, 0120, 0121, 0122, 0123, 0124, 0125, 0126, 0128, 0129, 0133, 0135, 0136, 0139, 0140, 0147, 0154, 0167, 0168, 0169, 0170, 0174, 0176, 0181, 0189, 0196, 0200, 0201, 0203, 0207, 0210, 0214, 0216, 0217, 0219, 0220, 0226, 0237, 0241, 0243, 0244, 0245, 0249, 0253, 0257, 0258, 0261, 0263, 0264, 0268, 0269, 0416, 0418, 0419, 0426, 0463, 0465, 3106, 3134, 3138, 4008.	620	495975	(Resistor Type) 1-7/8" High, 48 mm. 802592 Plug-Spark Bracket-Control (Remote Control) (Used After Code Date 93080100). 493894 Bracket- Control (Used Before Code Date 93080200 and After Code Date 90030456 and 90031800). 492978 Bracket- Control (Used Before Code Date 90030556 and 90031900). Note _____ 495976 Bracket- Control (Man. Friction Control) (Used After Code Date 93080100). 493895 Bracket- Control (Used Before Code Date 93080200). Used on Type No(s). 0159, 0188, 0190, 0193, 0194, 0227, 0236, 0252, 0271, 0272, 4009.		972	494351	(Remote Control) (Used Before Code Date 91072900). Used on Type No(s). 7015, 7016, 7018, 7024, 7025, 7026, 7051. 494351 Tank-Fuel (1 Quart, Black) (Used After Code Date 90092300). 494534 Tank-Fuel (1 Quart, Black) (Used Before Code Date 90092400). Note _____ 494359 Tank-Fuel (1 Quart, Sun Yellow) Used on Type No(s). 3131-02, 3137-01, 3137-02, 3180-02. 494309 Tank-Fuel (1-1/2 Quart Black) Used on Type No(s). 0201-01, 0241-01, 0243-01, 0244-01. 494352 Tank-Fuel (1 Quart, Gray) Used on Type No(s). 0226-02. 494353 Tank-Fuel (1-1/2 Quart, Yellow) Used on Type No(s). 0126-02, 0203-01, 0203-02. 494356 Tank-Fuel (1-1/2 Quart, Red) Used on Type No(s). 0120-04, 0204-01, 0217-02, 3116-02. 494357 Tank-Fuel (1 Quart, Red) Used on Type No(s). 0226-02, 0258-01. 494360 Tank-Fuel (1-1/2 Quart, Tan) Used on Type No(s). 3130-02.
337	298809	Plug-Spark (With Gasket) 1-1/2" High, 38 mm. Note _____ 293918 Plug-Spark (Resistor Type) 1-1/2" High, 38 mm. 492167 Plug-Spark (1-7/8" High, 48 mm.)			495976 Bracket- Control (Man. Friction Control) (Used After Code Date 93080100). 493895 Bracket- Control (Man. Friction Control) (Used Before Code Date 93080200 and After Code Date 91072800). 493894 Bracket- Control				

★ Included in Gasket Set-See Ref. 358.
◆ Included in Carburetor Gasket Set-Part No. 490937.
● Included in Carburetor Overhaul Kit-See Ref. 121.

121700 to 121799

REF. NO.	PART NO.	DESCRIPTION	REF. NO.	PART NO.	DESCRIPTION	REF. NO.	PART NO.	DESCRIPTION
	494528	Tank-Fuel (1-1/2 Quart, Black) (Used After Code Date 90092300).		0159-01, 0162-01, 0168-01, 0168-02, 0170-01, 0176-01, 0184-01, 0188-01, 0190-01, 0192-01, 0192-02, 0193-01, 0194-01, 0195-01, 0198-01, 0199-01, 0203-03, 0206-01, 0207-01, 0209-01, 0211-01, 0216-01, 0217-01, 0219-01, 0220-01, 0239-01, 0242-01, 0245-01, 0252-01, 0253-01, 0257-01, 0259-01,		0261-01, 0266-01, 0266-02, 0269-01, 0271-01, 0273-01, 0416-01, 0416-02, 0418-01, 0419-01, 0426-01, 0463-01, 0465-01, 3102-01, 3106-01, 3116-01, 3138-01, 4008-01.		495065 Tank-Fuel (1-1/2 Quart, Black with Dry Primer Hole). Used on Type No(s). 0273-01.
	494340	Tank-Fuel (1-1/2 Quart, Black) (Used Before Code Date 90092400). Used on Type No(s). 0102-01, 0104-01, 0106-01, 0108-01, 0119-02, 0120-03, 0124-01, 0124-02, 0125-01, 0126-01, 0132-01, 0148-01, 0152-01, 0154-01,						

- ★ Included in Gasket Set-See Ref. 358.
- ◆ Included in Carburetor Gasket Set-Part No. 490937.
- Included in Carburetor Overhaul Kit-See Ref. 121.

6592-18

Assemblies include all parts shown in frames.

94