

110400 to 110499

Illustrated Parts List

Model Series

110400 to 110499

TYPE NUMBERS

0023, 0035, 0036,
0037, 0038, 0043,
0045, 0049, 0060,
0064, 0070, 0101,
0105, 0110, 0111,
0121, 0122, 0127,
0144, 0145, 0146,
0149,
0150, 0151, 0152,
0153, 0154, 0158,

TYPE NUMBERS

0161, 0162, 0163,
0164, 0165, 0167,
0170, 0171, 0172,
0173, 0174, 0177,
0179, 0180, 0185,
0186, 0187, 0188,
0189, 0191, 0193,
0194.

TO FIND

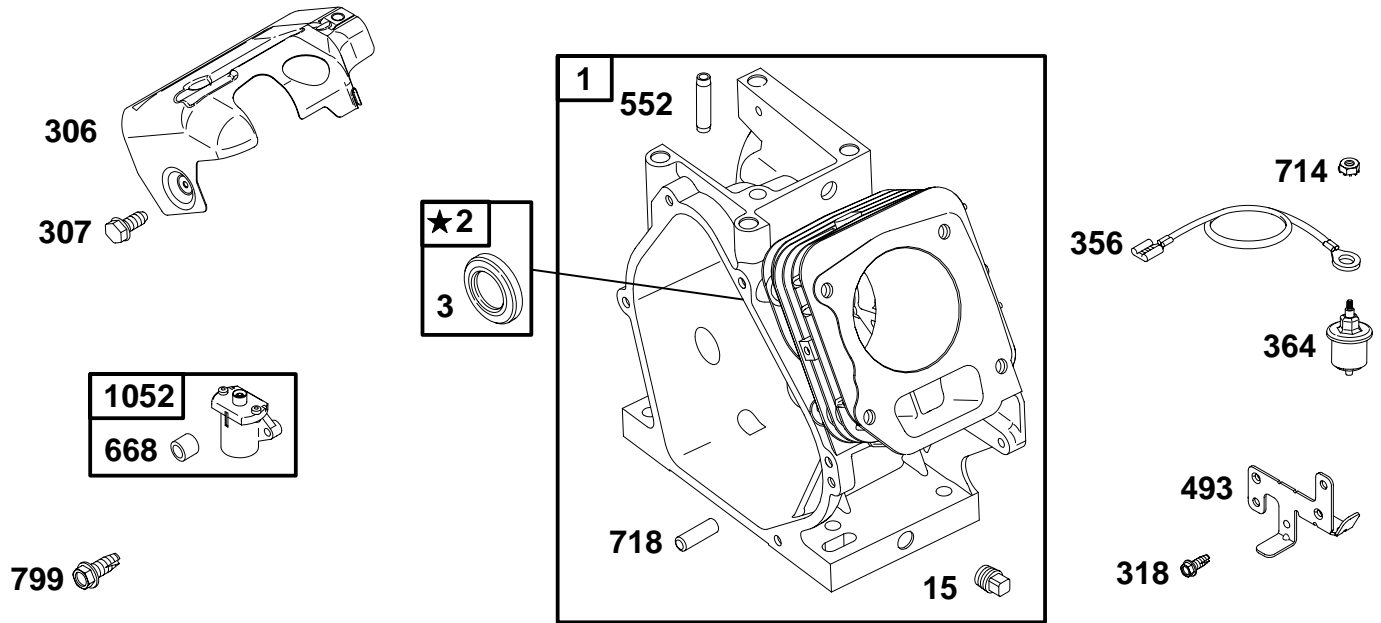
**THE CORRECT NUMBER OF THE PART YOU NEED:
FOLLOW THE INSTRUCTIONS BELOW**

- A. Refer to Engine Model, Type and Code Number that is stamped on the blower housing of engine. Engine type numbers such as 0123 01 are listed only as 0123 in most instances. The two digits (01 or 02, etc.) to the right of the space may be required for more accurate parts identification in some instances. Select the Illustrated Parts List covering the correct Model Series and Type Number.
- B. Refer to the Illustrations and compare the original part with Illustration. The number next to the illustration is the Reference Number. Assemblies include all parts shown in frames. All parts shown in assembly frames having individual reference numbers can be purchased separately.
- C. After the Reference Number has been identified, refer to the Numerical text, where Reference and Primary Part Number are listed. **THE PRIMARY PART IS USED ON ALL TYPE NUMBERS EXCEPT THOSE TYPE NUMBERS UNDER "NOTE."**
- D. If a "Note" appears below the Primary Part Number, it means that this part differs from the Primary Part for certain types. If your Type number is listed under "Note," order the part referred to at the "Note."
- E. If your Engine Type Number does not appear after any part number listed under "Note," use the Primary Part Number.
- F. For Engine Type Numbers not covered by this book, check other Parts Lists having the same engine model or contact your source of supply.

PRINTED IN U.S.A.



COPYRIGHT by BRIGGS & STRATTON CORPORATION
All rights reserved. No part of this material may be reproduced or transmitted, in any form or by any means, electronic or mechanical, including photocopying, recording or by any information storage and retrieval system, without permission in writing from Briggs & Stratton Corporation.



★ REQUIRES SPECIAL TOOLS TO INSTALL. SEE REPAIR INSTRUCTION MANUAL.

1019 LABEL KIT

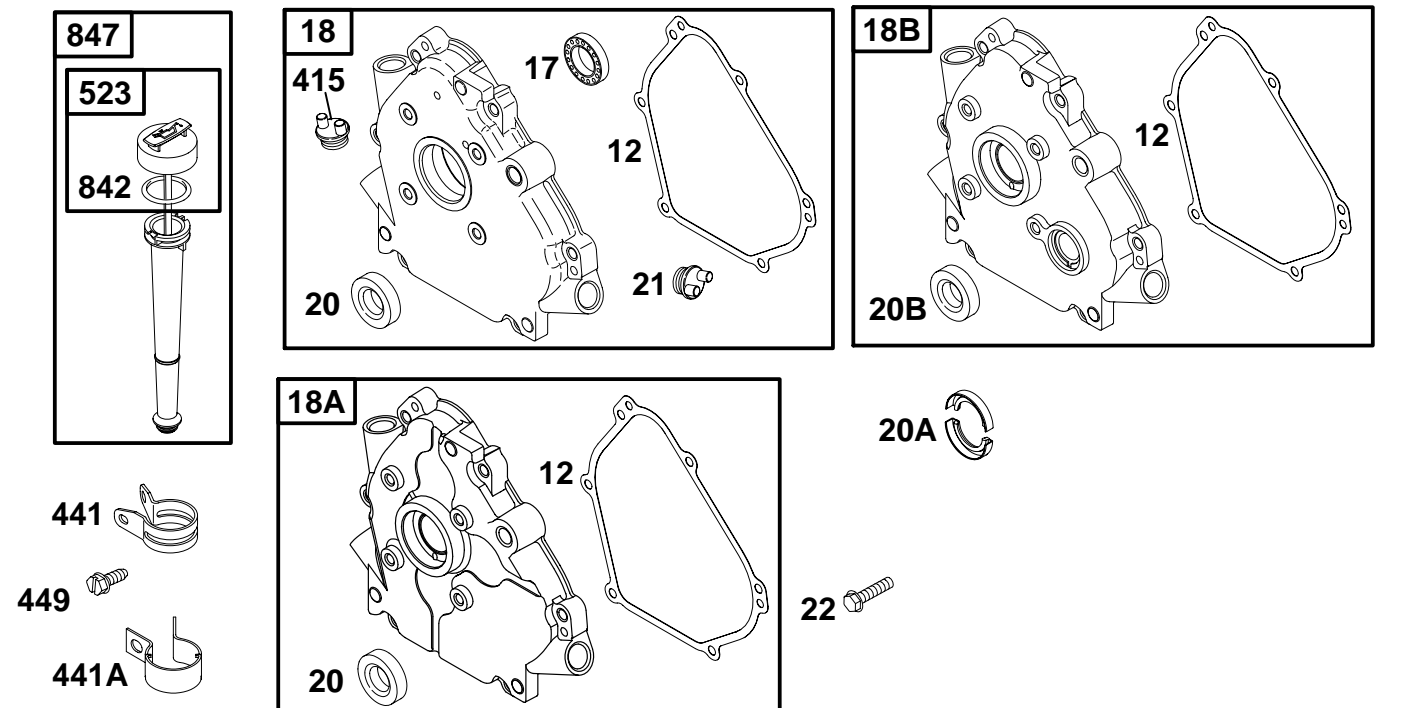
1058 OWNER'S MANUAL

REF. NO.	PART NO.	DESCRIPTION	REF. NO.	PART NO.	DESCRIPTION	REF. NO.	PART NO.	DESCRIPTION
1	693811	Cylinder Assembly Note 694470 Cylinder Assembly Used on Type No(s). 0146, 0164, 0171.	306	693610	Shield-Cylinder	668	693604	Spacer (Oil Sensor)
2	399269	Kit-Bushing/Seal (Magneto Side)	307	690345	Screw (Cylinder Shield)	714	693649	Nut (Stop Wire)
3	★299819	Seal-Oil (Magneto Side)	318	693609	Screw (Mounting Bracket)	718	230192	Pin-Locating (Crankcase Cover)
15	94916	Plug-Oil Drain (Square Head)	356	693650	Wire-Stop	799	693609	Screw (Oil Sensor)
			364	693607	Terminal-Oil Plug	1019	694851	Kit-Label
			493	693599	Bracket-Mounting (Oil Sensor)	1052	693805	Sensor-Oil
			552	692346	Bushing-Governor Crank	1058	274263	Owner's Manual

★ Included in Engine Gasket Set-Ref. No. 358.
 ◊ Included in Valve Gasket Set-Ref. No. 1095.

● Included in Carburetor Overhaul Kit-Ref. No. 121.
 ◆ Included in Carburetor Gasket Set-Ref. No. 977.

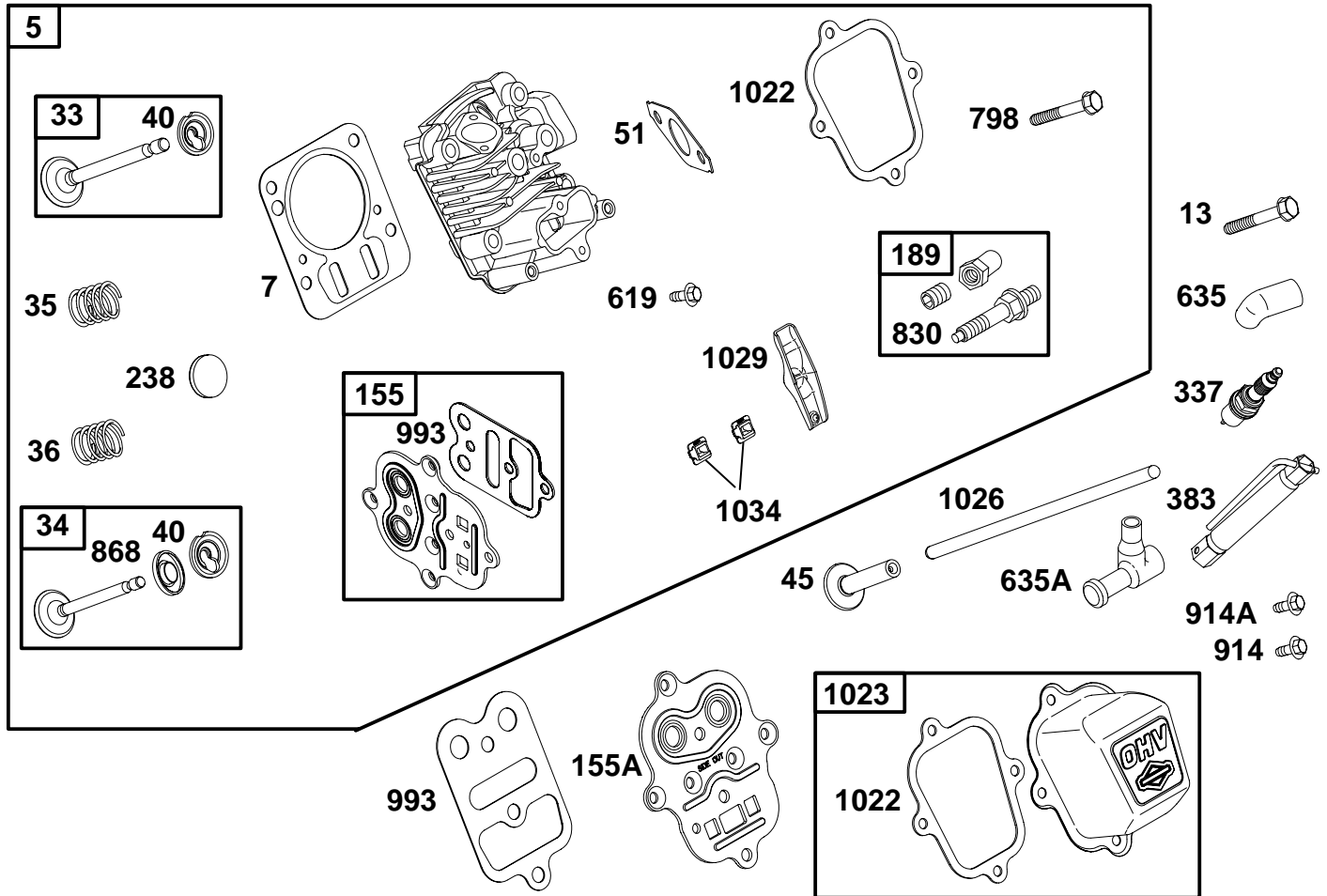
110400 to 110499



REF. NO.	PART NO.	DESCRIPTION	REF. NO.	PART NO.	DESCRIPTION	REF. NO.	PART NO.	DESCRIPTION
12	★692549	Gasket-Crankcase	18B	694833	Cover-Crankcase Used on Type No(s). 0070, 0165, 0167, 0172, 0185, 0189, 0194.	22	692551	Screw (Crankcase Cover)
17	692517	Bearing-Ball	20	★692550	Seal-Oil (PTO Side)	415	693463	Plug
18	693605	Cover-Crankcase Used on Type No(s). 0035, 0036, 0045, 0064, 0121, 0149, 0151, 0162, 0164, 0171, 0179.	20A	694171	Seal-Oil (PTO Side) Used on Type No(s). 0038.	441	694262	Bracket-Oil Fill (Used After Code Date 99070400).
18A	693204	Cover-Crankcase Used on Type No(s). 0023, 0038, 0043, 0049, 0060, 0101, 0105, 0110, 0122, 0127, 0144, 0145, 0146, 0150, 0152, 0153, 0154, 0158, 0163, 0170, 0173, 0174, 0177, 0186, 0188, 0193.	20B	391484	Seal-Oil (PTO Side) Used on Type No(s). 0070, 0165, 0167, 0172, 0185, 0189, 0194.	441A	693616	Bracket-Oil Fill (Used Before Code Date 99070500).
		Note	21	281658	Cap-Oil Fill	449	94929	Screw (Oil Fill Bracket)
		694466 Cover-Crankcase Used on Type No(s). 0161, 0180, 0191.				523	693618	Dipstick
		695293 Cover-Crankcase Used on Type No(s). 0111.				842	280393	Seal-Dipstick Tube
						847	693617	Dipstick/Tube Assembly

★ Included in Engine Gasket Set-Ref. No. 358.
 ◊ Included in Valve Gasket Set-Ref. No. 1095.

● Included in Carburetor Overhaul Kit-Ref. No. 121.
 ◆ Included in Carburetor Gasket Set-Ref. No. 977.

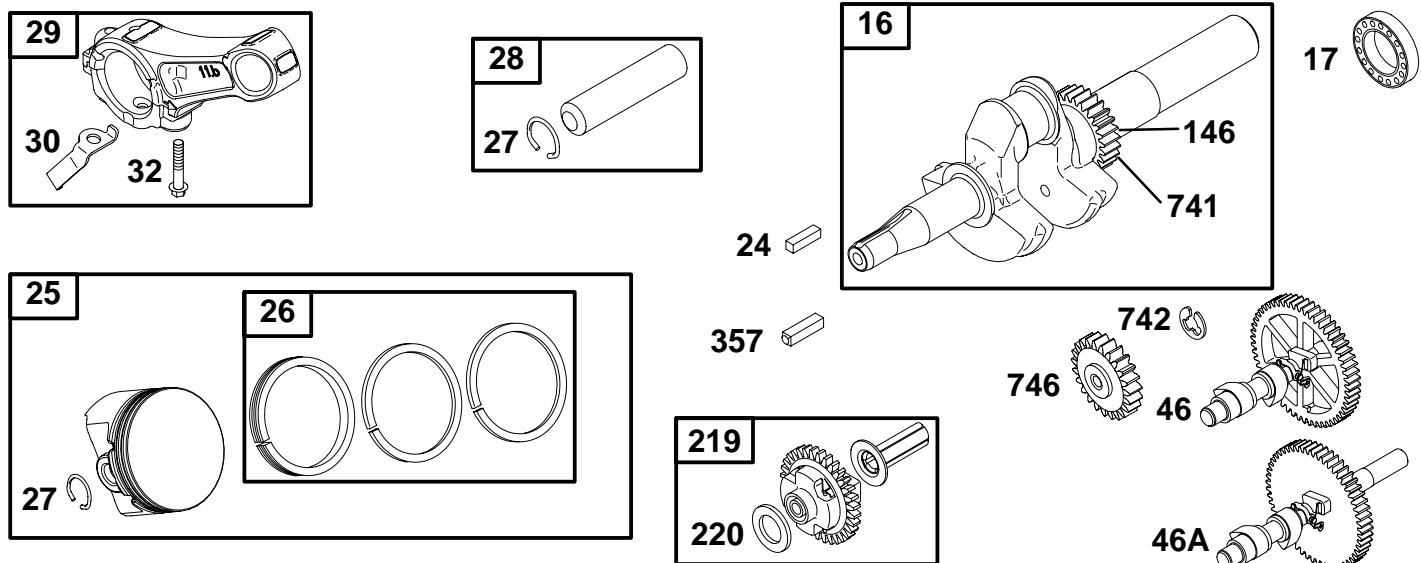


REF. NO.	PART NO.	DESCRIPTION	REF. NO.	PART NO.	DESCRIPTION	REF. NO.	PART NO.	DESCRIPTION
5	693643	Head-Cylinder	45	262679	Tappet-Valve	798	692559	Screw (Rocker Arm)
7	★△695166	Gasket-Cylinder Head (Used After Code Date 99113000).	51	◆◆692555	Intake-Gasket	830	694544	Stud (Rocker Arm)
		Note	155	695168	Plate-Cylinder Head (Used After Code Date 99113000).	868	★Ø498592	Seal-Valve
		★△273489	155A	692566	Plate-Cylinder Head (Used Before Code Date 99120100).	914	94786	Screw (Rocker Cover, 7/16" Long)
13	691137	Screw (Cylinder Head)	189	694543	Ball-Rocker Arm	914A	692557	Screw (Rocker Cover, 3/8" Long)
33	499642	Valve-Exhaust	238	691300	Cap-Valve	993	★Ø691892	Gasket-Cylinder Head Plate
34	499641	Valve-Intake	337	491055	Sparkplug (Resistor Type)	1022	★Ø691890	Gasket-Rocker Cover
35	691304	Spring-Valve (Intake)			Note	1023	499924	Cover-Rocker
36	691304	Spring-Valve (Exhaust)	383	19374	Wrench-Sparkplug	1026	693517	Rod-Push
40	93312	Retainer-Valve	619	691108	Screw (Cylinder Head Plate)	1029	691230	Arm-Rocker
			635	805529	Boot-Sparkplug	1034	691343	Guide-Push Rod
			635A	280897	Boot-Sparkplug			

★ Included in Engine Gasket Set-Ref. No. 358.
 Ø Included in Valve Gasket Set-Ref. No. 1095.

◆ Included in Carburetor Overhaul Kit-Ref. No. 121.
 ◆ Included in Carburetor Gasket Set-Ref. No. 977.

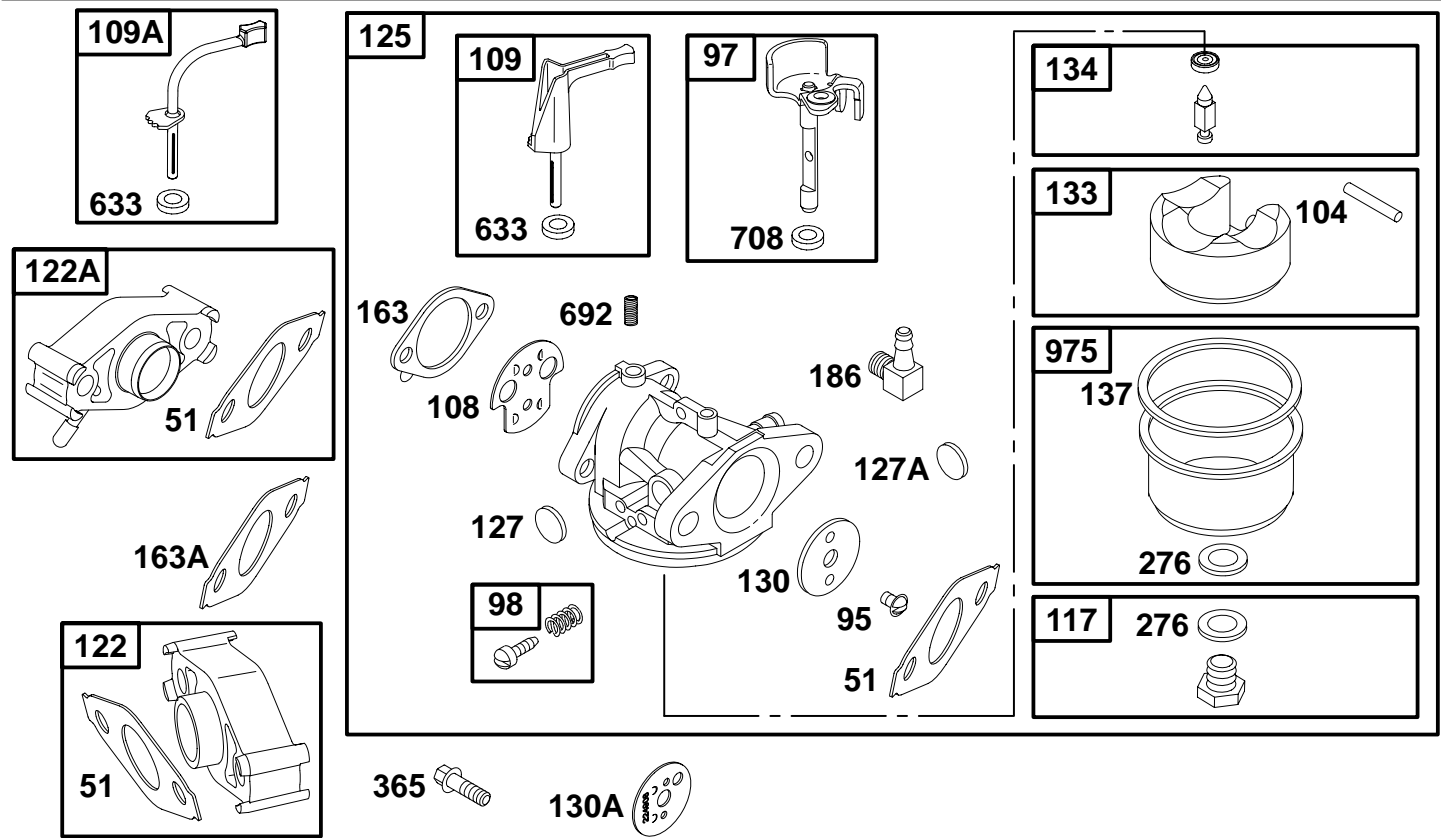
110400 to 110499



REF. NO.	PART NO.	DESCRIPTION	REF. NO.	PART NO.	DESCRIPTION	REF. NO.	PART NO.	DESCRIPTION
16	693796	Crankshaft Used on Type No(s). 0035, 0045, 0151. Note 693797 Crankshaft Used on Type No(s). 0023, 0043, 0070, 0101, 0105, 0110, 0112, 0122, 0127, 0144, 0145, 0146, 0150, 0152, 0153, 0154, 0165, 0167, 0170, 0172, 0173, 0180, 0185, 0186, 0187, 0188, 0189, 0194. 693799 Crankshaft Used on Type No(s). 0038, 0174, 0177. 693802 Crankshaft Used on Type No(s). 0036, 0064, 0121, 0164, 0171, 0179. 694113 Crankshaft Used on Type No(s). 0149, 0161. 694463 Crankshaft Used on Type No(s). 0037, 0060, 0163, 0191, 0193. 694462 Crankshaft Used on Type No(s). 0158. 693803 Crankshaft Used on Type No(s). 0049, 0111.	17	692517	Bearing-Ball	46A	695285	Camshaft Used on Type No(s). 0189. Note 694831 Camshaft Used on Type No(s). 0070, 0165, 0167, 0172, 0185.
			24	222698	Key-Flywheel	146	94388	Key-Timing
			25	690021	Piston Assembly (Standard) Note 694167 Piston Assembly (.010 O.S.) 694168 Piston Assembly (.020 O.S.) 694169 Piston Assembly (.030 O.S.)	219	693578	Gear-Governor
						220	221551	Washer (Governor Gear)
			26	499631	Ring Set (Standard) Note 692785 Ring Set (.010 O.S.) 692786 Ring Set (.020 O.S.) 692787 Ring Set (.030 O.S.)	357	91539	Key-Drive Pulley
			27	263190	Lock-Piston Pin	741	692565	Gear-Timing Note 695087 Gear-Timing Used on Type No(s). 0165, 0167, 0172, 0185, 0186.
			28	499423	Pin-Piston	742	692564	Retainer-E-Ring
			29	499424	Rod-Connecting	746	692566	Gear-Idler
			30	692562	Dipper-Connecting Rod			
			32	94699	Screw (Connecting Rod)			
			46	693404	Camshaft			

★ Included in Engine Gasket Set-Ref. No. 358.
⊗ Included in Valve Gasket Set-Ref. No. 1095.

● Included in Carburetor Overhaul Kit-Ref. No. 121.
◆ Included in Carburetor Gasket Set-Ref. No. 977.

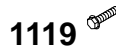
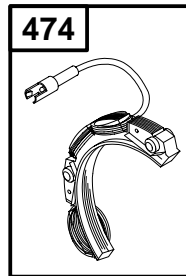
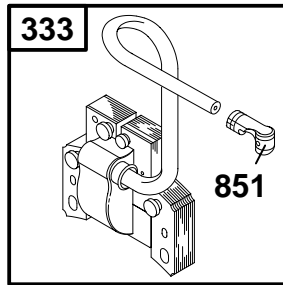
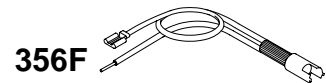
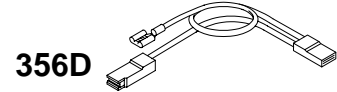
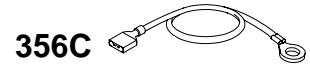
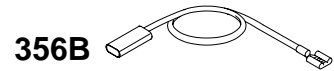
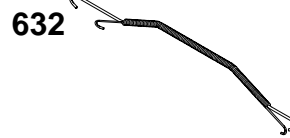
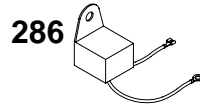
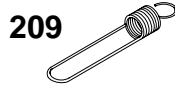
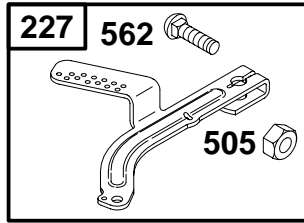


REF. NO.	PART NO.	DESCRIPTION	REF. NO.	PART NO.	DESCRIPTION	REF. NO.	PART NO.	DESCRIPTION	
51	692555	Gasket-Intake				127	223472	Plug-Welch	
95	94098	Screw (Throttle Valve)		498977	Jet-Main (High Altitude)	127A	694468	Plug-Welch	
97	690024	Shaft-Throttle		493637	Jet-Main (High Altitude)	130	691181	Valve-Throttle	
98	398185	Kit-Idle Speed			Used on Type No(s). 0037, 0127, 0152, 0158, 0161, 0163, 0180, 0186.	130A	691203	Valve-Throttle Used on Type No(s). 0038, 0177.	
104	691242	Pin-Float Hinge		694975	Jet-Main (High Altitude)	133	398187	Float-Carburetor	
108	692567	Valve-Choke			Used on Type No(s). 0038, 0177.	134	398188	Kit-Needle/Seat	
109	690023	Shaft-Choke		122	693749	Spacer-Carburetor	137	693981	Gasket-Float Bowl
109A	693628	Shaft-Choke Used on Type No(s). 0037, 0038, 0127, 0152, 0158, 0161, 0163, 0177, 0186.		122A	695286	Spacer-Carburetor Used on Type No(s). 0170, 0185.	163	272948	Gasket-Air Cleaner (High Mount Air Cleaner)
		Note		125	693865	Carburetor	163A	693458	Gasket-Air Cleaner (Flat Panel Air Cleaner)
		493763 Jet-Main (Standard) Used on Type No(s). 0037, 0127, 0152, 0158, 0161, 0163, 0180, 0186.				Note	186	493496	Connector-Hose
		695042 Jet-Main (Standard) Used on Type No(s). 0038, 0177.				694112 Carburetor Used on Type No(s). 0037, 0127, 0152, 0158, 0161, 0163, 0180, 0186.	276	271716	Washer-Sealing (Main Jet)
						694857 Carburetor Used on Type No(s). 0038, 0177.	365	692568	Screw (Carburetor)
							633	693867	Seal-Choke Shaft
							692	690572	Spring-Detent
							708	691321	Seal-Dust (Throttle Shaft)
							975	493640	Bowl-Float

★ Included in Engine Gasket Set-Ref. No. 358.
 ◊ Included in Valve Gasket Set-Ref. No. 1095.

● Included in Carburetor Overhaul Kit-Ref. No. 121.
 ◆ Included in Carburetor Gasket Set-Ref. No. 977.

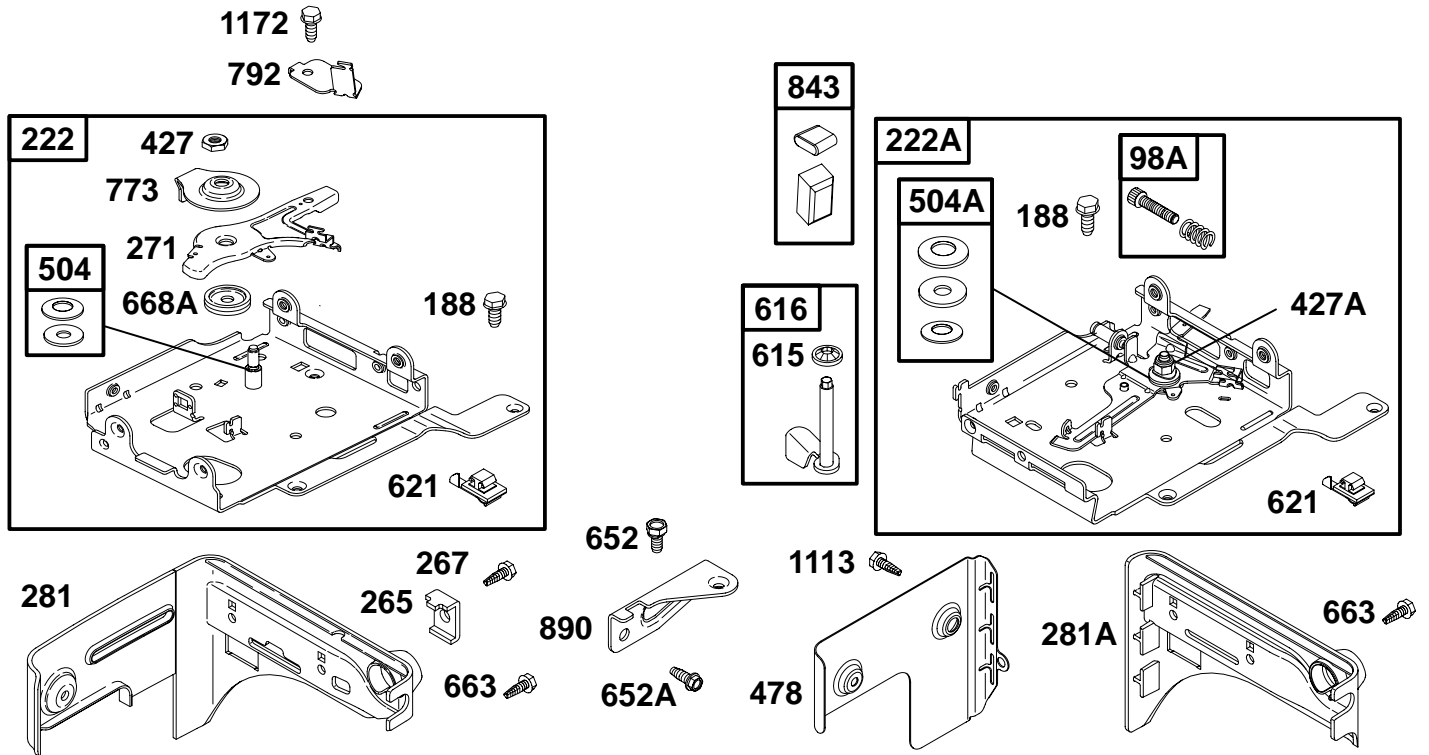
110400 to 110499



REF. NO.	PART NO.	DESCRIPTION	REF. NO.	PART NO.	DESCRIPTION	REF. NO.	PART NO.	DESCRIPTION
209	692571	Spring-Governor (Silver) Note 693206 Spring-Governor (Yellow) Used on Type No(s). 0023, 0035, 0038, 0045, 0060, 0070, 0151, 0163. 693710 Spring-Governor (Black) Used on Type No(s). 0127, 0144, 0152, 0154, 0180.	286	693627	Module-Oil Sensor Note 694523 Module-Oil Sensor Used on Type No(s). 0045, 0151.	356F	695283	Wire-Stop
209A	261306	Spring-Governor (Brown)	333	692605	Armature-Magneto	474	694457	Alternator
227	692573	Lever-Governor Control	334	94731	Screw (Magneto Armature)	505	231082	Nut (Governor Control Lever)
			347	693623	Switch-Rocker (With Light) Note 692599 Switch-Rocker (Without Light)	562	94852	Bolt (Governor Control Lever)
			356A	692390	Stop Wire	632	693408	Spring/Link-Mechanical Governor
			356B	692602	Stop Wire	729	694371	Clip-Wire
			356C	695630	Stop Wire	851	493880	Terminal-Sparkplug
			356D	693651	Stop Wire	1054	280275	Tie-Cable
			356E	694372	Stop Wire	1119	93621	Screw (Alternator)

★ Included in Engine Gasket Set-Ref. No. 358.
 ☉ Included in Valve Gasket Set-Ref. No. 1095.

● Included in Carburetor Overhaul Kit-Ref. No. 121.
 ◆ Included in Carburetor Gasket Set-Ref. No. 977.

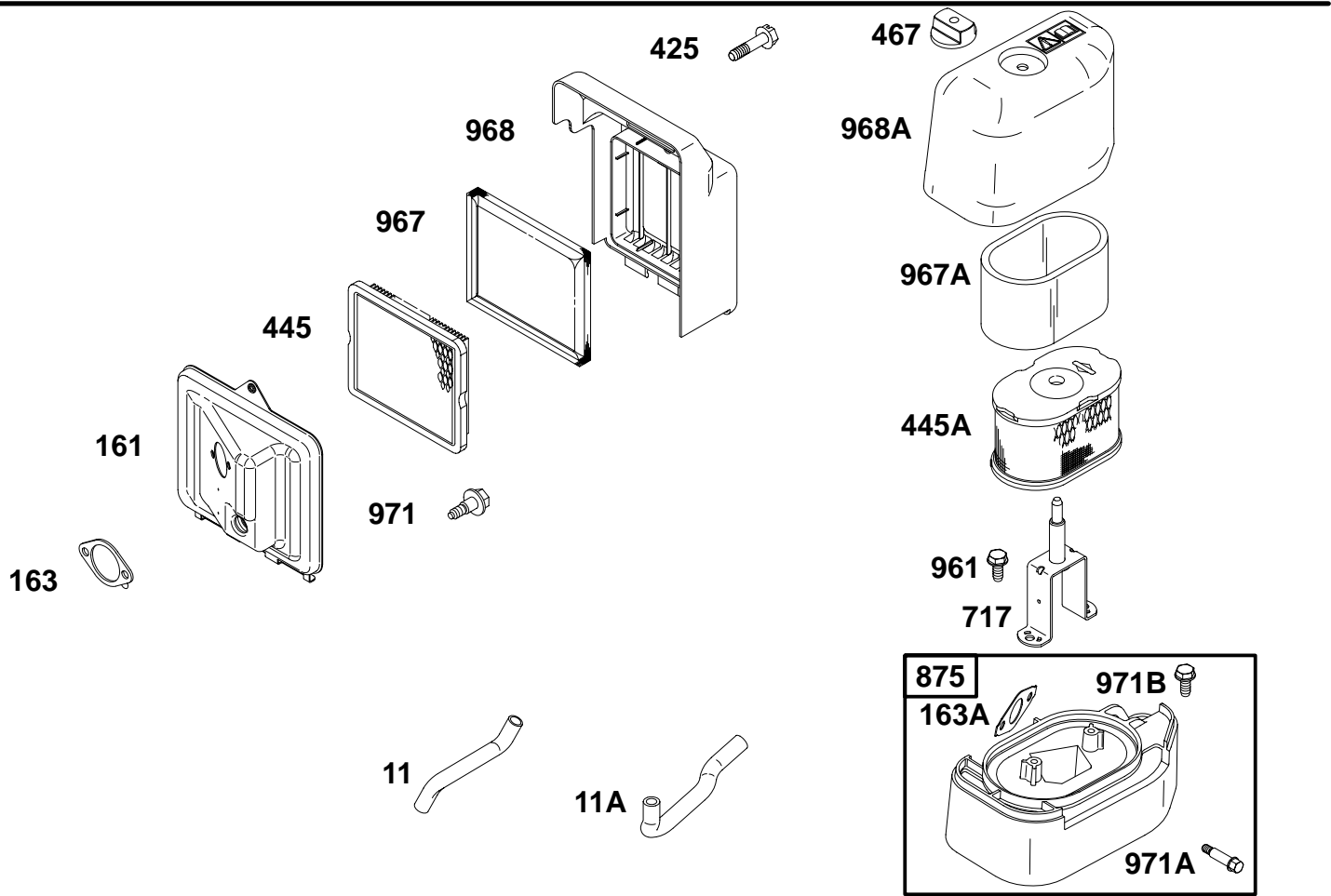


REF. NO.	PART NO.	DESCRIPTION	REF. NO.	PART NO.	DESCRIPTION	REF. NO.	PART NO.	DESCRIPTION
98A	493280	Kit-Idle Speed (Control Bracket)	427	694255	Nut (Control Bracket) (Used After Code Date 99070400).	652A	695629	Screw (Support Bracket)
188	94644	Screw (Control Bracket)	427A	692575	Nut (Control Bracket) (Used Before Code Date 99070500).	663	694593	Screw (Control Panel, Used Without Casing Clamp)
222	694253	Bracket-Control (Used After Code Date 99070400).	478	693709	Panel	668A	694257	Spacer (Control Bracket)
222A	693405	Bracket-Control (Used Before Code Date 99070500).	504	694254	Washer Set-Friction (Used After Code Date 99070400).	773	694258	Retainer
265	221535	Clamp-Casing	504A	495659	Washer Set-Friction (Used Before Code Date 99070500).	792	694259	Bracket-Fixed Speed (Used After Code Date 99070400).
267	692577	Screw (Casing Clamp)	615	692576	Retainer-Governor Shaft	843	694061	Sleeve-Lever
271	694256	Lever-Control	616	692547	Crank-Governor	890	694933	Bracket-Support
281	694252	Panel-Control (Used After Code Date 99070400).	621	396847	Switch-Stop	1113	692577	Screw (Panel)
281A	693407	Panel-Control (Used Before Code Date 99070500).	652	691108	Screw (Support Bracket)	1172	94831	Screw (Fixed Speed Bracket)

★ Included in Engine Gasket Set-Ref. No. 358.
 ◊ Included in Valve Gasket Set-Ref. No. 1095.

● Included in Carburetor Overhaul Kit-Ref. No. 121.
 ◆ Included in Carburetor Gasket Set-Ref. No. 977.

110400 to 110499

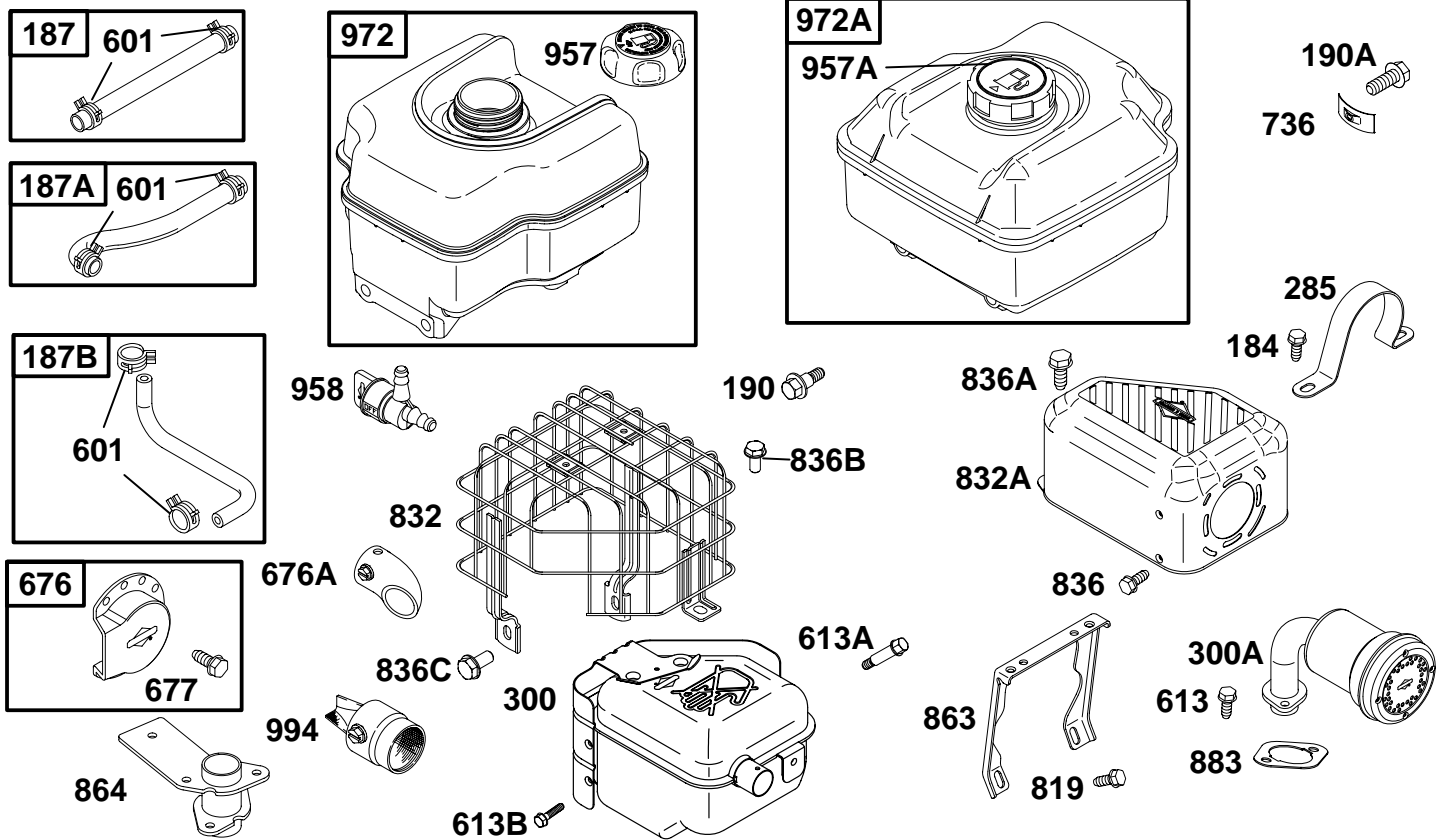


REF. NO.	PART NO.	DESCRIPTION	REF. NO.	PART NO.	DESCRIPTION	REF. NO.	PART NO.	DESCRIPTION
11	692600	Tube-Breather (High Mount Air Cleaner)	445	491588	Filter-Air Cleaner Cartridge (High Mount Air Cleaner)	967A	273356	Filter-Pre-Cleaner (Flat Panel Air Cleaner)
11A	693647	Tube-Breather (Flat Panel Air Cleaner)	445A	690610	Filter-Air Cleaner Cartridge (Flat Panel Air Cleaner)	968	692584	Cover-Air Cleaner (High Mount Air Cleaner)
161	692579	Base-Air Cleaner (High Mount)	467	493903	Knob-Air Cleaner	968A	693460	Cover-Air Cleaner (Flat Panel Air Cleaner)
163	★♦♦272948	Gasket-Air Cleaner (High Mount Air Cleaner)	717	693462	Bracket-Air Cleaner	971	690370	Screw (High Mount Air Cleaner Base)
163A	★♦♦693458	Gasket-Air Cleaner (Flat Panel Air Cleaner)	875	693459	Base-Air Cleaner (Flat Panel)	971A	690349	Screw (Flat Panel Air Cleaner Base)
425	692583	Screw (High Mount Air Cleaner Cover)	961	693598	Screw (Air Cleaner Bracket)	971B	94929	Screw (Flat Panel Air Cleaner Base)
			967	493537	Filter-Pre-Cleaner (High Mount Air Cleaner)			

★ Included in Engine Gasket Set-Ref. No. 358.
 ◊ Included in Valve Gasket Set-Ref. No. 1095.

● Included in Carburetor Overhaul Kit-Ref. No. 121.
 ♦ Included in Carburetor Gasket Set-Ref. No. 977.

110400 to 110499

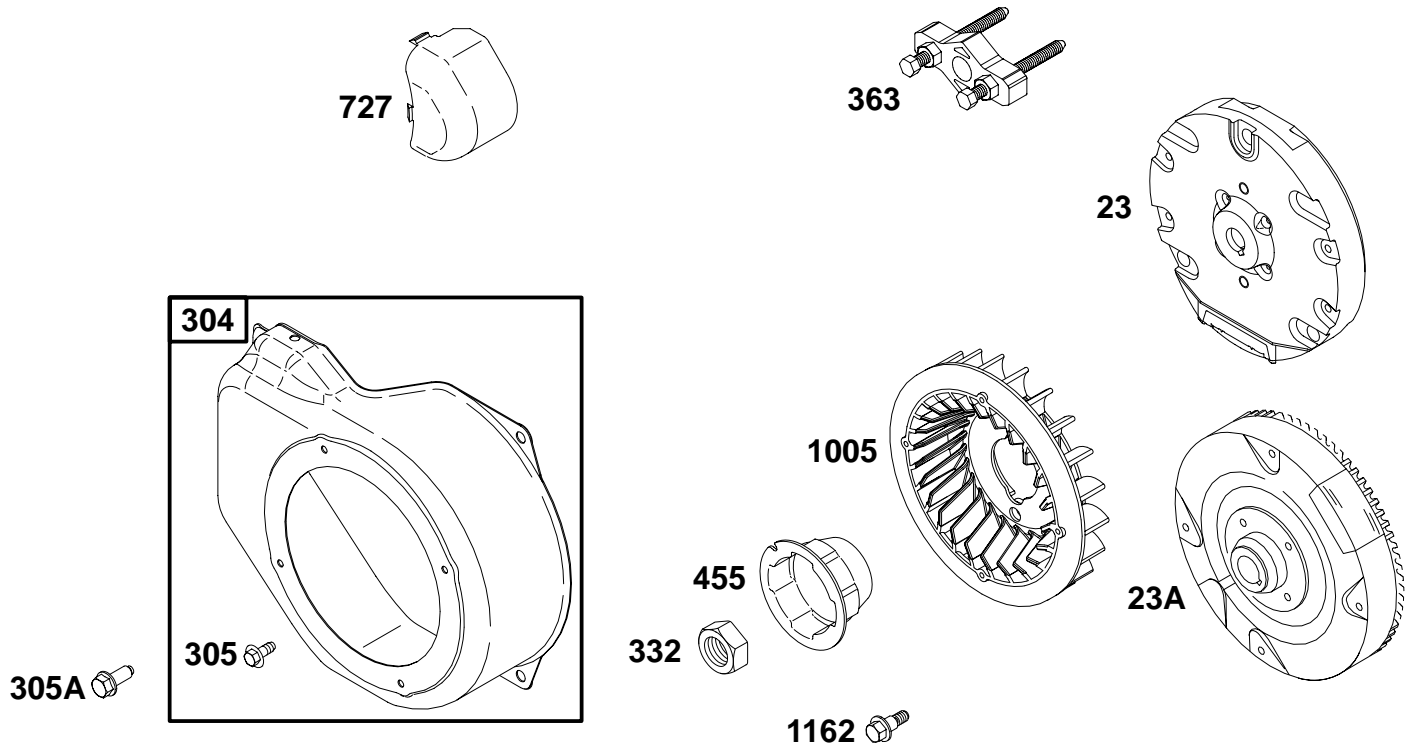


REF. NO.	PART NO.	DESCRIPTION	REF. NO.	PART NO.	DESCRIPTION	REF. NO.	PART NO.	DESCRIPTION
184	94914	Screw (Muffler Strap)	676A	495074	Deflector-Muffler Used on Type No(s). 0153, 0165, 0170, 0172, 0173, 0174, 0179, 0187.	883	272309	Gasket-Exhaust
187	298049	Line-Fuel (Cut to Length)	736	693560	Nut-Clip	957	694261	Cap-Fuel Tank (Used After Code Date 99070400).
187A	692601	Line-Fuel (Molded, Use With Shut Off Valve)	819	692598	Screw (Muffler Bracket)	957A	493988	Cap-Fuel Tank (Used Before Code Date 99070500).
187B	693401	Line-Fuel (Molded, Use With Shut Off Valve and Filter)	832	694459	Guard-Muffler	958	692586	Valve-Fuel Shut Off
190	692127	Screw (Fuel Tank)	832A	693583	Guard-Muffler	972	694260	Tank-Fuel (Used After Code Date 99070400).
190A	94644	Screw (Fuel Tank)	836	94896	Screw (Muffler Guard)	972A	692587	Tank-Fuel (3 Quart) (Used Before Code Date 99070500).
285	692595	Strap-Muffler	836A	693624	Screw (Muffler Guard)	Note		
300	694429	Muffler	836B	94930	Screw (Muffler Guard)	694111	Tank-Fuel (4 Quart) (Used Before Code Date 99070500).	
300A	693593	Muffler	836C	94706	Screw (Muffler Guard)	694111	Tank-Fuel (4 Quart) (Used Before Code Date 99070500).	
601	95162	Clamp-Hose	863	692596	Bracket-Muffler	994	690813	Arrestor-Spark Used on Type No(s). 0144, 0145.
613	94706	Screw (Muffler)	864	694430	Adapter-Muffler Used on Type No(s). 0153, 0162, 0164, 0165, 0167, 0170, 0172, 0173, 0174,	994	690813	Arrestor-Spark Used on Type No(s). 0162, 0164.
613A	694460	Screw (Muffler)						
613B	691108	Screw (Muffler)						
676	393757	Deflector-Muffler						

★ Included in Engine Gasket Set-Ref. No. 358.
 ◊ Included in Valve Gasket Set-Ref. No. 1095.

● Included in Carburetor Overhaul Kit-Ref. No. 121.
 ◆ Included in Carburetor Gasket Set-Ref. No. 977.

110400 to 110499

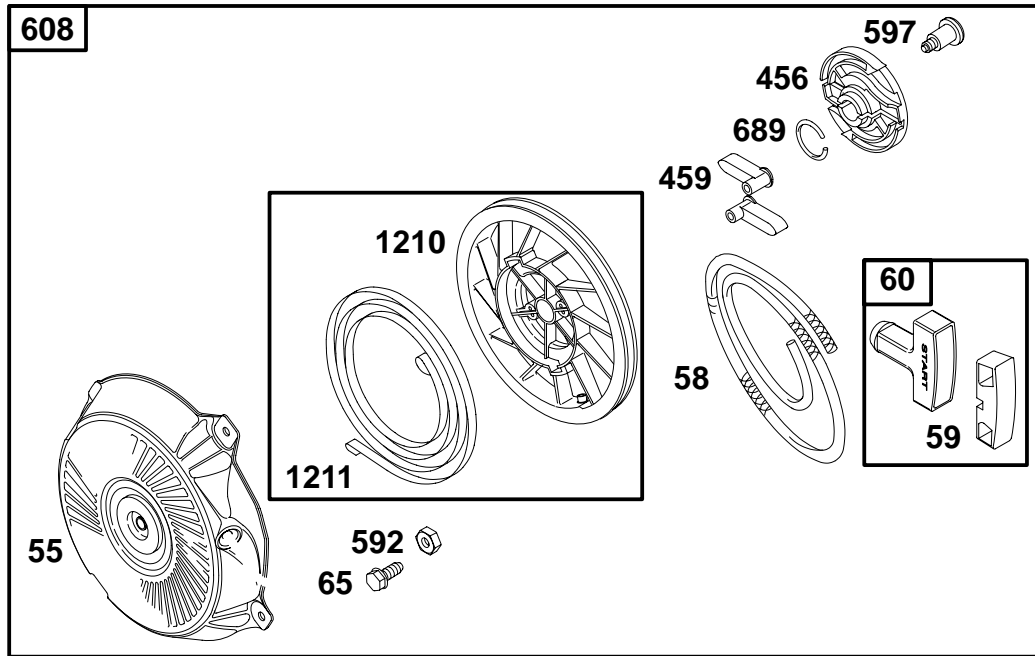


1036 EMISSIONS LABEL

REF. NO.	PART NO.	DESCRIPTION	REF. NO.	PART NO.	DESCRIPTION	REF. NO.	PART NO.	DESCRIPTION
23	692987	Flywheel	305	692608	Screw (Blower Housing)	1036	695041	Label-Emissions (Used After Code Date 99093000).
23A	694902	Flywheel Used on Type No(s). 0146, 0164, 0171.	305A	690960	Screw (Blower Housing)			Note
304	693621	Housing-Blower	332	94877	Nut (Flywheel)			694304 Label-Emissions (Used Before Code Date 99100100 and After Code Date 98123100).
		Note	363	19069	Puller-Flywheel			693875 Label-Emissions (Used Before Code Date 99010100).
		694378 Housing-Blower Used on Type No(s). 0146, 0164, 0171.	455	692591	Cup-Flywheel	1162	692590	Screw (Flywheel)
			727	694467	Cover-Starter Drive			
			1005	692592	Fan-Flywheel			

★ Included in Engine Gasket Set-Ref. No. 358.
 ∅ Included in Valve Gasket Set-Ref. No. 1095.

● Included in Carburetor Overhaul Kit-Ref. No. 121.
 ◆ Included in Carburetor Gasket Set-Ref. No. 977.

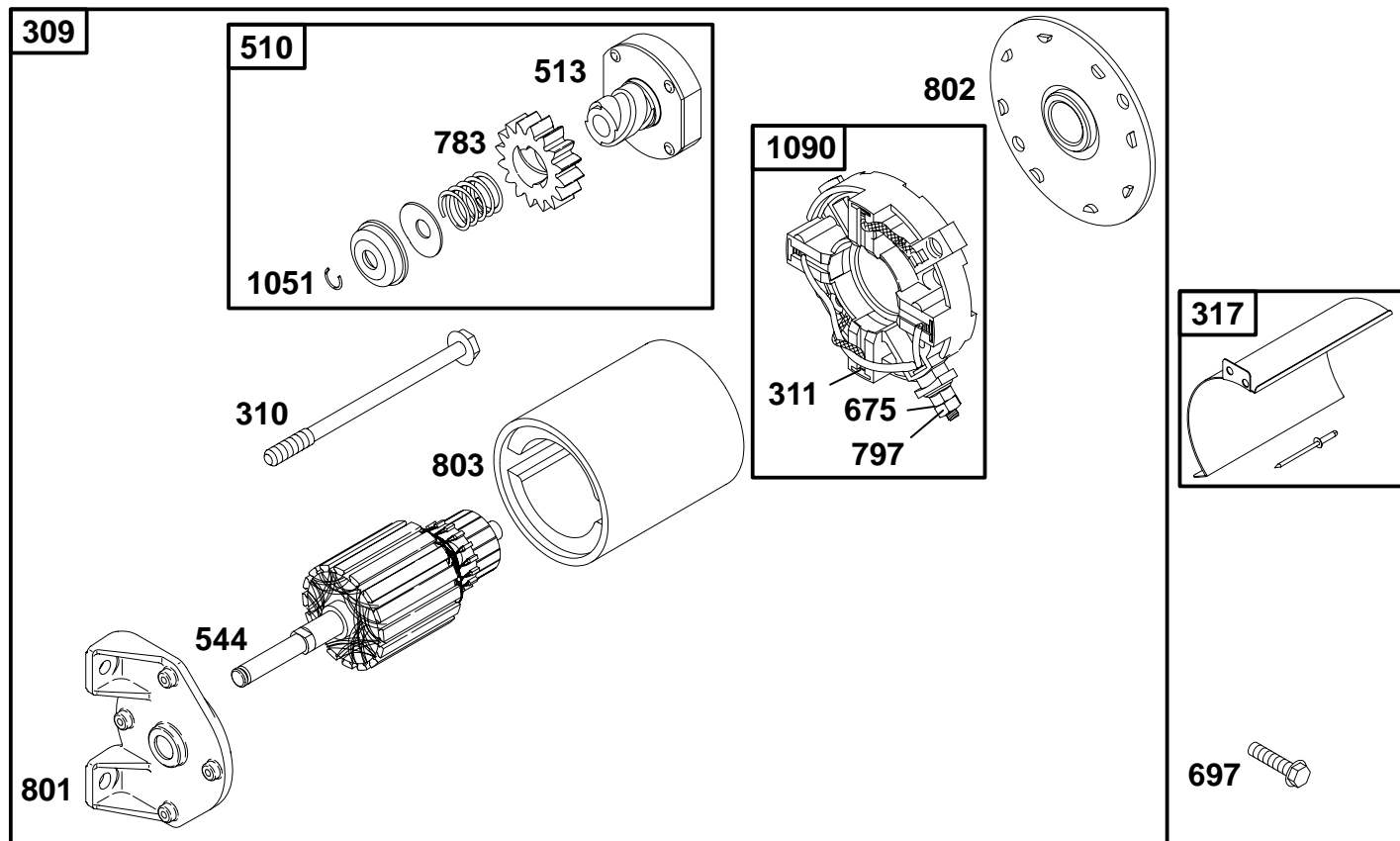


REF. NO.	PART NO.	DESCRIPTION	REF. NO.	PART NO.	DESCRIPTION	REF. NO.	PART NO.	DESCRIPTION
55	691422	Housing—Rewind Starter	65	94904	Screw (Rewind Starter)	608	693394	Starter—Rewind
58	693389	Rope—Starter (Cut to Length)	456	281503	Plate—Pawl Friction	689	263073	Spring—Friction
59	805957	Insert—Grip	459	281505	Pawl—Ratchet	1210	498144	Pulley/Spring Assembly (Pulley)
60	715257	Grip—Starter Rope (Two Piece Handle)	592	94908	Nut (Rewind Starter)	1211	498144	Pulley/Spring Assembly (Spring)
			597	94943	Screw (Pawl Friction Plate)			

★ Included in Engine Gasket Set—Ref. No. 358.
 ∅ Included in Valve Gasket Set—Ref. No. 1095.

● Included in Carburetor Overhaul Kit—Ref. No. 121.
 ◆ Included in Carburetor Gasket Set—Ref. No. 977.

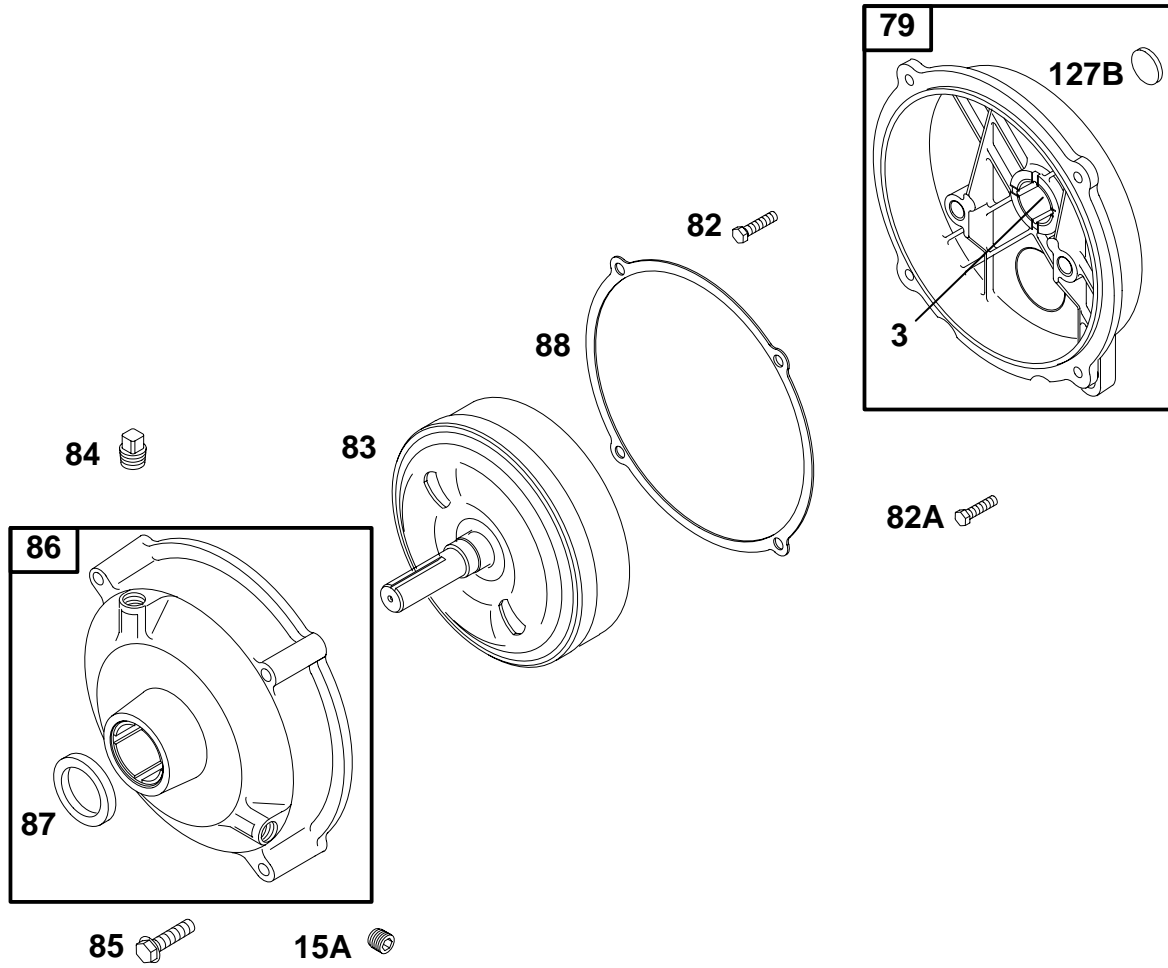
110400 to 110499



REF. NO.	PART NO.	DESCRIPTION	REF. NO.	PART NO.	DESCRIPTION	REF. NO.	PART NO.	DESCRIPTION
309	694504	Motor-Starter	544	692966	Armature-Starter	801	694482	Cap-Drive
310	690372	Screw (Starter Motor)	675	225137	Washer (Brush Retainer)	802	497607	Cap-End
311	497608	Brush Set	697	690372	Screw (Drive Cap)	803	691427	Housing-Starter
317	695494	Cover-Starter Used on Type No(s). 0164, 0171.	783	692353	Gear-Pinion	1051	263080	Ring-Retaining (Starter Drive)
510	497705	Drive-Starter	797	92278	Nut (Brush Retainer)	1090	497605	Retainer-Brush
513	398003	Clutch-Drive						

★ Included in Engine Gasket Set-Ref. No. 358.
 ☉ Included in Valve Gasket Set-Ref. No. 1095.

● Included in Carburetor Overhaul Kit-Ref. No. 121.
 ◆ Included in Carburetor Gasket Set-Ref. No. 977.

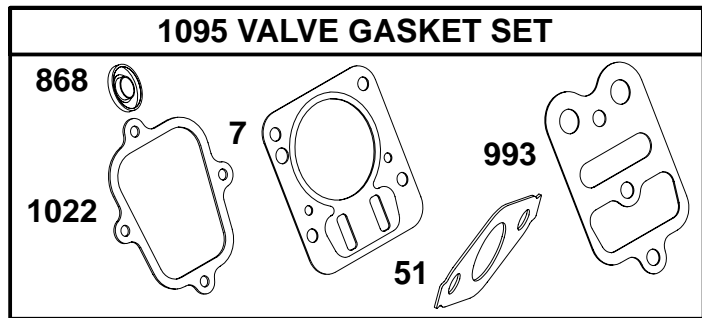
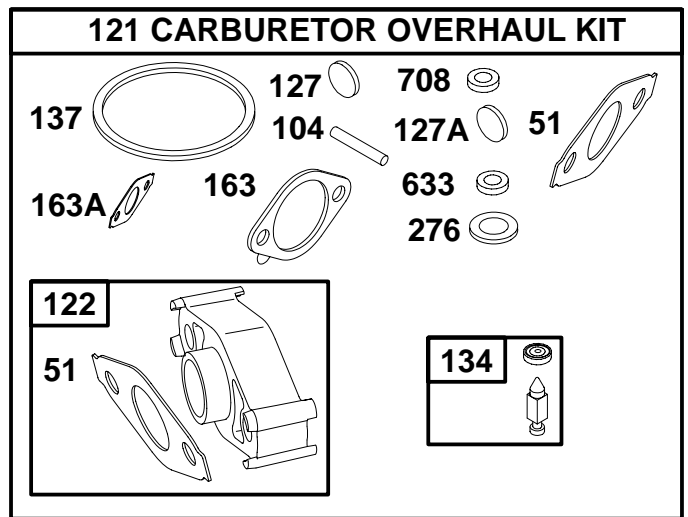
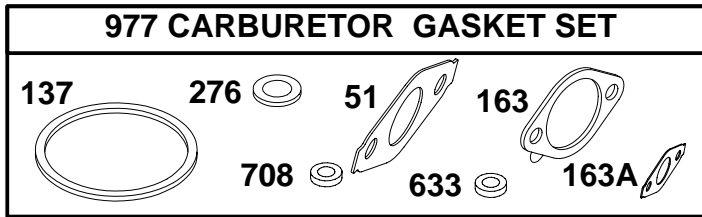
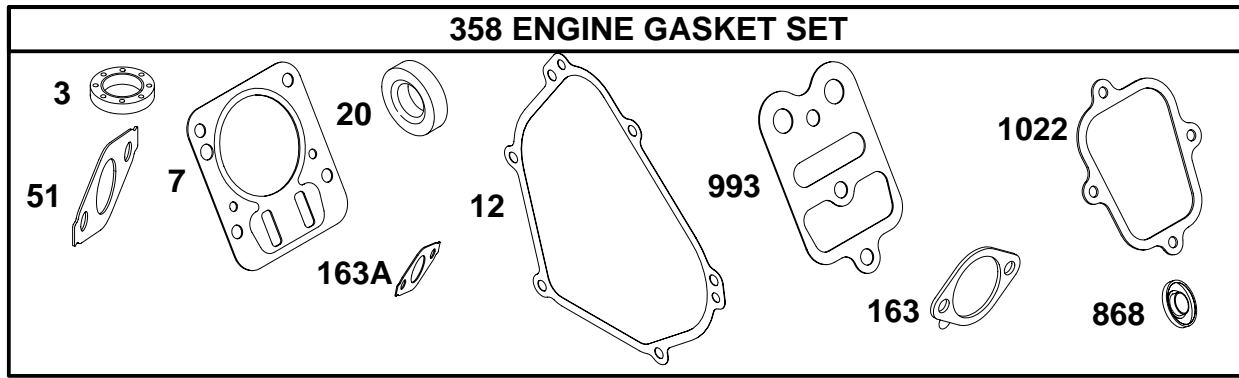


REF. NO.	PART NO.	DESCRIPTION	REF. NO.	PART NO.	DESCRIPTION	REF. NO.	PART NO.	DESCRIPTION
3	★299819	Seal—Oil (Gear Reduction Case)	82A	691122	Screw (Gear Reduction Case, 1 1/2" Long)	85	691117	Screw (Gear Cover to Gear Reduction)
15A	94886	Plug—Oil Drain (Hex Socket)	83	690374	Shaft—Auxiliary Drive	86	690608	Cover—Gear
79	694511	Case—Gear Reduction	84	691121	Plug—Breather	87	19011	Seal—Oil (Gear Cover)
82	690369	Screw (Gear Reduction Case, 7/8" Long)				88	27313	Gasket—Gear Reduction Cover
						127B	22831	Plug—Welch

★ Included in Engine Gasket Set—Ref. No. 358.
 ∅ Included in Valve Gasket Set—Ref. No. 1095.

● Included in Carburetor Overhaul Kit—Ref. No. 121.
 ◆ Included in Carburetor Gasket Set—Ref. No. 977.

110400 to 110499



REF. NO.	PART NO.	DESCRIPTION	REF. NO.	PART NO.	DESCRIPTION	REF. NO.	PART NO.	DESCRIPTION
3	★299819	Seal—Oil (Magneto Side)	121	695157	Kit—Carburetor Overhaul	633	◆◆693867	Seal—Choke Shaft
7	★∅695166	Gasket—Cylinder Head (Used After Code Date 99113000).	122	●693749	Spacer—Carburetor	708	●◆691321	Seal—Dust (Throttle Shaft)
	Note		127	●223472	Plug—Welch	868	★∅498592	Seal—Valve
	★∅273489	Gasket—Cylinder Head (Used Before Code Date 99120100).	127A	●694468	Plug—Welch	977	695156	Gasket Set—Carburetor
12	★692549	Gasket—Crankcase	134	●398188	Kit—Needle/Seat	993	★∅691892	Gasket—Cylinder Head Plate
20	★692550	Seal—Oil (PTO Side)	137	◆◆693981	Gasket—Float Bowl	1022	★∅691890	Gasket—Rocker Cover
51	◆◆◆692555	Gasket—Intake	163	★◆272948	Gasket—Air Cleaner (High Mount Air Cleaner)	1095	695289	Gasket Set—Valve (Used After Code Date 99113000).
104	●691242	Pin—Float Hinge	163A	★◆693458	Gasket—Air Cleaner (Flat Panel Air Cleaner)		Note	
			276	◆◆271716	Washer—Sealing (Main Jet)		690034	Gasket Set—Valve (Used Before Code Date 99120100).
			358	695155	Gasket Set—Engine			

★ Included in Engine Gasket Set—Ref. No. 358.
 ∅ Included in Valve Gasket Set—Ref. No. 1095.

● Included in Carburetor Overhaul Kit—Ref. No. 121.
 ◆ Included in Carburetor Gasket Set—Ref. No. 977.