

**95500 to 95599**

**SERVICE ENGINE**



**SALES MANUAL**

**MODEL 95500 SERIES ENGINES REPLACED WITH  
 STANDARD SERVICE ENGINES**

In most cases, the Original Type numbers shown may be replaced by a Service Type Number without making any changes. Necessary changes of engine parts such as crankshafts, reduction parts, blower housings, etc., are noted. Other differences, such as mufflers, elbows, deflectors, etc., are not listed but are very important for safety and engine performance. Be sure the exhaust system on the replacement engine duplicates the system originally selected by the equipment manufacturer. Parts that are suitable for additional use should be transferred. Before making any conversion, check the data shown in the column labeled "REMOVE, ADD and NOTE." See if the changes, which are shown, are actually necessary on the application in question. Often a standard service engine will be a WORKABLE replacement without converting to such things as a special fuel tank or starter position.

If the crankshaft number does not appear in the "Original Engine" column, consult the Illustrated Parts List for the correct service replacement crankshaft number.

**Engine Replacement Notes:**

**NOTE 25:** If the replacement engine supersedes to or is a Model 120000 series engine, refer to the illustrations located after the conversion data for this model series. The overall dimensions that differ, are shown in the illustrations. If after making a visual inspection and it is determined the Model 120000 series engine cannot be used because of equipment interference, the original engine should be repaired with individual parts.

**Short Block Notes:**

The SHORT BLOCK part number shown, is the assembly which can be used to rebuild the Original Type Number. If a letter appears after the short block number, it indicates the short block must be modified. The change denoted by each letter is as follows:

**95500 to 95599**

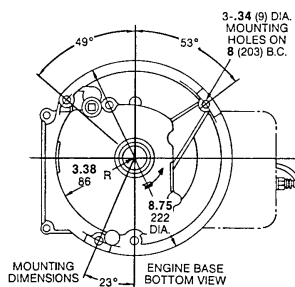
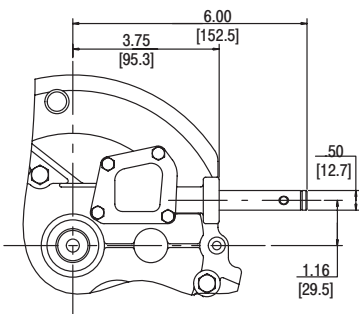
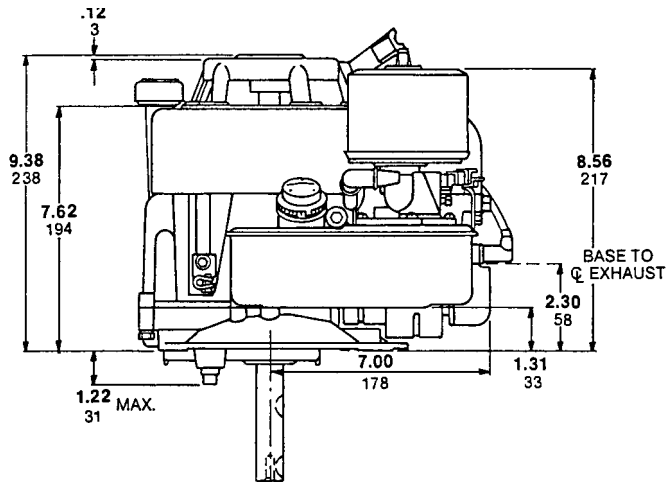
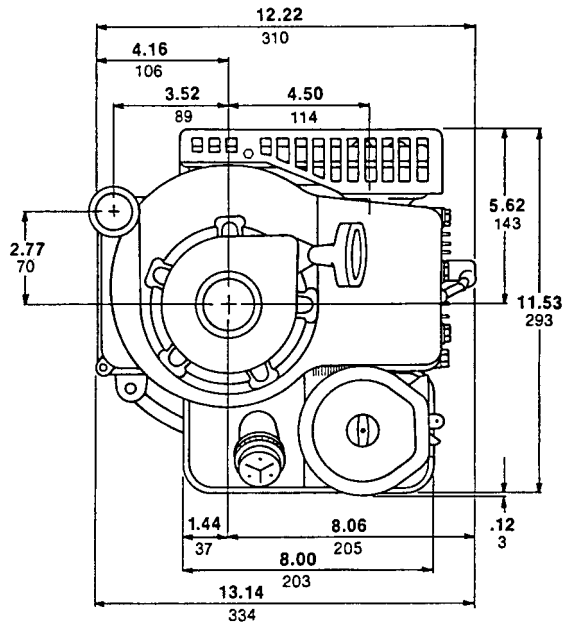
Original Engine			Make From		Remove		Add		Note	Change to Type	Trim	RPM	Short Block	
Type	Model	Crank	Model	Type #	Qty	Part #	Qty	Part #					Part #	Notes
0015	95508	394030	9M902	0015						All	3000			
0016	95508	394322	9M902	0016						All	3000			
0017	95508	394371	9M902	0018						All	3000			
0050	95588	394030	No Replacement Repair With Individual Parts.							All	3000			
0051	95588	394030	No Replacement Repair With Individual Parts.							All	3000			
0052	95588	394322	No Replacement Repair With Individual Parts.							All	3000			
0117	95508	394030	9M902	0015						All	3200			
0136	95588	394030	No Replacement Repair With Individual Parts.							All	3200			
0150	95508	394030	9M902	0015						All	3200			
0151	95508	394322	9M902	0016						All	3100			
0152	95508	394322	9M902	0016						All	3200			
0153	95508	394322	9M902	0016						All	3200			
0154	95508	394371	9M902	0018						All	3200			
0155	95508	394030	9M902	0015						All	3000			
0156	95508	394030	9M902	0015						All	2900			
0157	95508	394030	9M902	0015						All	3100			
0158	95508	394507	No Replacement Repair With Individual Parts.							All	3100			
0159	95508	394322	9M902	0016						All	3100			
0160	95508	394030	9M902	0015	1	690319	1	691851	25	All	3300			
0161	95508	394322	122K02	0516	1	690319	1	691851	25	All	3700			
0162	95508	394322	9M902	0016						All	3300			
0163	95588	394030	No Replacement Repair With Individual Parts.							All	3200			
0164	95508	394507	No Replacement Repair With Individual Parts.							All	3100			
0165	95508	394030	9M902	0015						All	3100			
0166	95588	394322	No Replacement Repair With Individual Parts.							All	3100			
0167	95508	394371	9M902	0018						All	3100			
0168	95508	394322	9M902	0016						All	3000			
0169	95588	394030	No Replacement Repair With Individual Parts.							All	3000			
0170	95588	394030	No Replacement Repair With Individual Parts.							All	3000			

**95500 to 95599**

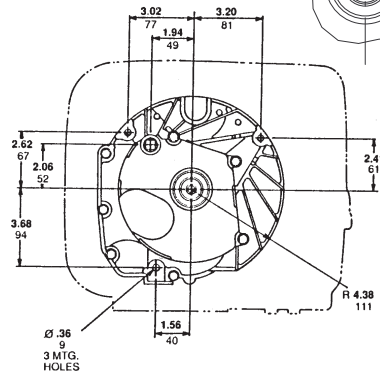
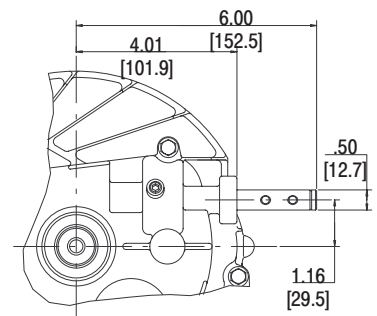
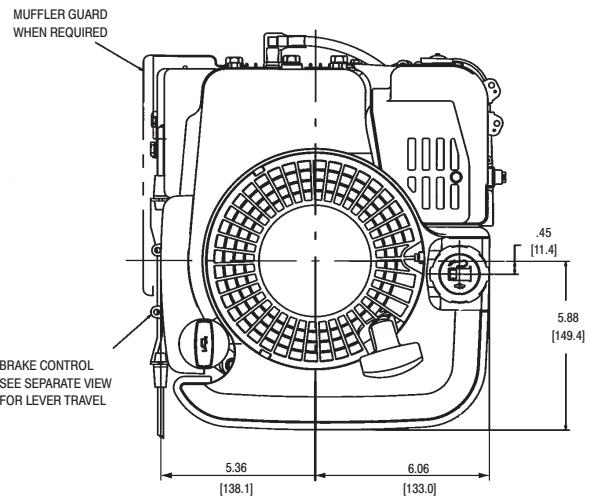
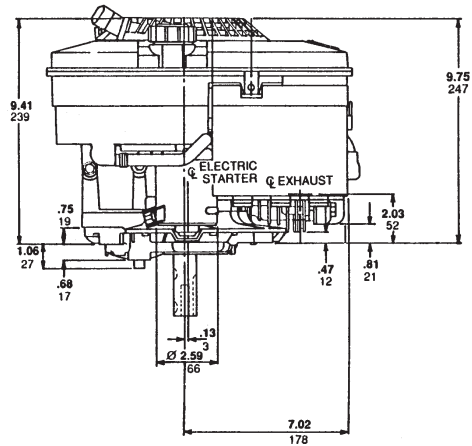
Original Engine			Make From		Remove		Add		Note	Change to Type	Trim	RPM	Short Block		
Type	Model	Crank	Model	Type #	Qty	Part #	Qty	Part #					Part #	Notes	
0171	95508	394030	9M902	0015							All	3000			
0172	95508	394322	9M902	0016							All	3000			
0173	95508	394030	9M902	0015							All	3300			
0174	95508	394030	9M902	0015							All	3000			
0175	95508	394371	9M902	0018							All	3400			
0176	95508	394371	9M902	0018							All	3000			
0177	95508	394030	9M902	0015							All	3300			
0178	95508	394371	9M902	0018							All	3200			
0179	95588	394030	No Replacement Repair With Individual Parts.									All	3000		
0180	95508	394322	9M902	0016							All	3000			
0181	95508	394030	9M902	0015							All	2800			
0182	95508	394322	9M902	0016							All	3100			
0183	95508	394322	122K02	0516	1	690319	1	691851	25		All	3700			
0184	95508	394371	9M902	0018							All	2800			
0185	95508	394322	9M902	0016							All	3400			
0186	95588	394381	No Replacement Repair With Individual Parts.									All	3100		
0187	95588	394030	No Replacement Repair With Individual Parts.									All	3000		

# MODEL 95500

# MODEL 120000



3-.34 (9) DIA. MOUNTING HOLES ON 8 (203) B.C.  
 MOUNTING DIMENSIONS  
 ENGINE BASE BOTTOM VIEW  
 HOLE IN DECK FOR OIL SUMP TO BE 6.88 (175) DIAMETER. SUMP PROJECTION BELOW DECK MOUNTING FACE REQUIRES CLEAR SPACE.  
 .56 (14) DEEP x 6.88 (175) DIA. PLUG CLEARANCE FOR OIL DRAIN PLUG.



Ø .36 (9) 3 MTG. HOLES