

82300 to 82499

SERVICE ENGINE



SALES MANUAL

**MODEL 82300 SERIES ENGINES REPLACED WITH
 STANDARD SERVICE ENGINES**

In most cases, the Original Type numbers shown may be replaced by a Service Type Number without making any changes. Necessary changes of engine parts such as crankshafts, reduction parts, blower housings, etc., are noted. Other differences, such as mufflers, elbows, deflectors, etc., are not listed but are very important for safety and engine performance. Be sure the exhaust system on the replacement engine duplicates the system originally selected by the equipment manufacturer. Parts that are suitable for additional use should be transferred. Before making any conversion, check the data shown in the column labeled "REMOVE, ADD and NOTE." See if the changes, which are shown, are actually necessary on the application in question. Often a standard service engine will be a WORKABLE replacement without converting to such things as a special fuel tank or starter position.

If the crankshaft number does not appear in the "Original Engine" column, consult the Illustrated Parts List for the correct service replacement crankshaft number.

Engine Replacement Notes:

- NOTE 15:** For all Go-Karts use only a Model 136200 series engine as a replacement, regardless of the original Model.
- NOTE 34:** If the replacement engine supersedes to or is a Model 93400 series engine, refer to the illustrations located after the conversion data for this model series. The overall dimensions which differ, are shown in the illustrations. If after making a visual inspection and it is determined the Model 93400 series engine cannot be used because of equipment interference, the original engine should be repaired with a short block and/or individual parts.
- NOTE 46:** Original engine was equipped with special Gear and Shaft Assembly. Transfer these parts to the replacement engine.
- NOTE 48:** Remove Fuel Tank Assembly from replacement engine.

Short Block Notes:

The SHORT BLOCK part number shown, is the assembly which can be used to rebuild the Original Type Number. If a letter appears after the short block number, it indicates the short block must be modified. The change denoted by each letter is as follows:

82300 to 82499

Original Engine			Make From		Remove		Add		Note	Change to Type	Trim	RPM	Short Block	
Type	Model	Crank	Model	Type #	Qty	Part #	Qty	Part #					Part #	Notes
0111	82332	493633	93432	1036					15 34	01	3300	491041		
0126	82352	493409	93452	1049					15 34	01	3600			
0130	82331	492095	93432	0035					15 34	All	3600	491039		
0131	82352	493409	93452	1049					15 34 46	01	3600			
0132	82332	492095	No Replacement Repair With Individual Parts.						15	01	3300	491039		
0133	82332	493633	93432	1036					15 34	01	3600	491041		
0134	82352	493409	93452	1049					15 34 46	01	3600			
0135	82332	493849	93432	1037					15 34	01 02	3600 3600	491042		
0136	82352	493409	93452	1049					15 34 46	01	3600			
0137	82331	493633	93432	1036					15 34	01	3600	491041		
0138	82351	493633	93452	1049					15 34	01	3300			
0139	82331	493619	93432	1036	1	495211	1	393812	15	01	3600			
					1	495355	1	493619	34					
					1	495484	1	99158						

82300 to 82499

Original Engine			Make From		Remove		Add		Note	Change to Type	Trim	RPM	Short Block	
Type	Model	Crank	Model	Type #	Qty	Part #	Qty	Part #					Part #	Notes
0140	82331	493633	93432	1036					15 34		01	3600	491041	
0141	82331	492095	No Replacement Repair With Individual Parts.						15		01	3600	491039	
0142	82332	492095	No Replacement Repair With Individual Parts.						15		01	3600	491039	
0143	82331	492095	93432	0035					15 34		01	3300	491039	
0144	82332	397251	93432	1036	1	495211	1	393812	15 34		01	3300		
					1	495355	1	397251						
					1	495484	1	99158						
0145	82332	492095	93432	0035					15 34				491039	
0146	82331	493633	93432	1036					15 34		01	3300	491041	
0147	82331	492095	93432	0035					15 34		01 02	3600 3600	491039	
0148	82331	397252	93432	0035	1	495211	1	393812	15 34		01	3300		
					1	495355	1	397252						
					1	495484	1	99158						
0149	82332	492095	93432	0035					15 34		01	3600	491039	
0150	82332	493633	93432	1036					15 34		01 02	3300 3600	491041	
0151	82332	397252	93432	0035	1	495211	1	393812	15 34		01	3300		
					1	495355	1	397252						
					1	495484	1	99158						
0152	82332	492095	93432	0035					15 34		01	3300	491039	
0153	82332	493633	93432	1036					15 34		01	3300	491041	
0154	82332	397252	No Replacement Repair With Individual Parts.						15		01	3600		
0155	82332	493633	93432	1036					15 34		01	3300	491041	
0156	82332	493633	93432	1036					15 34		01	3600	491041	
0157	82332	493849	93432	0035	1	495211	1	393812	15 34		01	3600		
					1	495355	1	493849						
					1	495484	1	99158						
0158	82332	493849	No Replacement Repair With Individual Parts.						15		01	3300		
0159	82332	493633	93432	1036					15 34		01	3600	491041	
0160	82332	492095	93432	0035					15 34		01	3300	491039	
0161	82332	493633	93432	1036					15 34		01	3600	491041	
0162	82331	493633	93432	1036					15 34		01	3300	491041	
0163	82332	493849	No Replacement Repair With Individual Parts.						15		01	3300		
0164	82332	493633	93432	1036					15 34		01	3100	491041	
0165	82332	493633	93432	1036					15 34		01	3600	491041	
0526	82331	492095	No Replacement Repair With Individual Parts.						15		01	3300	491039	
0527	82331	492095	93432	0035					15 34		01	3300	491039	
0528	82331	493633	93432	1036					15 34		01	3300	491041	
0529	82331	493633	No Replacement Repair With Individual Parts.						15		01	3300	491041	

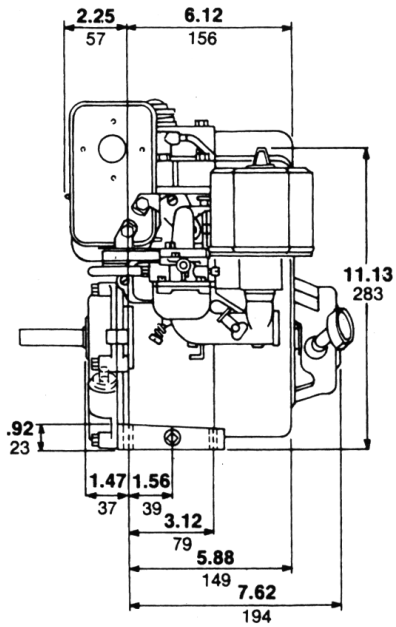
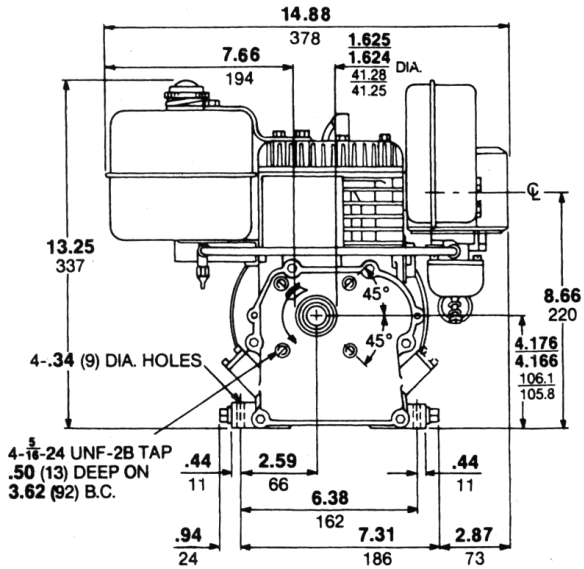
82300 to 82499

Original Engine			Make From		Remove		Add		Note	Change to Type	Trim	RPM	Short Block		
Type	Model	Crank	Model	Type #	Qty	Part #	Qty	Part #					Part #	Notes	
0530	82331	397252	93432	1036	1	495211	1	393812	15		01	3300			
					1	495355	1	397252	34						
					1	495484	1	99158							
0531	82331	397252	No Replacement Repair With Individual Parts.							15		01	3300		
0532	82331	493619	93432	1036	1	495211	1	393812	15		01	3300			
					1	495355	1	493619	34						
					1	495484	1	99158							
0537	82332	493633	93432	1036					15		01	3300	491041		
									34						
0538	82331	493619	93432	1036	1	495211	1	393812	15		01	3300			
					1	495355	1	493619	34						
					1	495484	1	99158							
0548	82351	493409	93452	1049					15		01	3300			
									34						
0549	82352	493409	93452	1049					15		01	3300			
									34						
2528	82331	493633	93432	1036					15		01	3300	491041		
									34		02	3300			
2535	82332	493849	93432	1037					15		01	3300	491042		
									34						
2537	82332	493633	93432	1036					15		01	3300	491041		
									34						
2538	82332	493633	No Replacement Repair With Individual Parts.							15		01	3300	491041	
2547	82351	493409	93452	1049					15		All	3300			
									34						
2548	82352	493409	93452	1049					15		All	3300			
									34						
2549	82352	493409	93452	1049					15		All	3300			
									34						
4001	82332	493633	93432	1036					15		01	3600	491041		
									34						
4002	82332	493849	93432	1036	1	495211	1	393812	15		01	3600			
					1	495355	1	493849	34						
					1	495484	1	99158							
4003	82332	492095	93432	0035					15		All	4000	491039		
									34						
4004	82332	492095	93432	0035					15		All	3300	491039		
									34						
4005	82332	493633	93432	1036					15		01	3600	491041		
									34						
4006	82332	397252	No Replacement Repair With Individual Parts.							15		01	3600		
4007	82331	492095	93432	0035					15		All	3600	491039		
									34						
4008	82332	493633	93432	1036					15		01	3600	491041		
									34						
4035	82332	493849	93432	1037					15		01	3300	491042		
									34						
4037	82332	493633	93432	1036					15		All	3300	491041		
									34						
4049	82352	493409	93452	1049					15		All	3300			
									34						
4070	82432	397251	93432	1038					15		01	3750			
									34		02	3150			
4073	82432	493633	93432	1036					15		01	3300			
									34						
8111	82432	493633	93432	1036					15		01	3300			
									34						

82300 to 82499

Original Engine			Make From		Remove		Add		Note	Change to Type	Trim	RPM	Short Block	
Type	Model	Crank	Model	Type #	Qty	Part #	Qty	Part #					Part #	Notes
8130	82432	397251	93432	1038					15 34		01	3100		
8131	82432	493633	93432	1036					15 34		01	3600		
8132	82432	397251	93432	1038					15 34 48		01	3100		
8133	82432	397251	93432	1038					15 34 48		01	3150		
8134	82432	397251	93432	1038					15 34 48		01	3150		
8573	82432	493633	93432	1036					15 34		01	3300		

MODEL 82300



MODEL 90000

