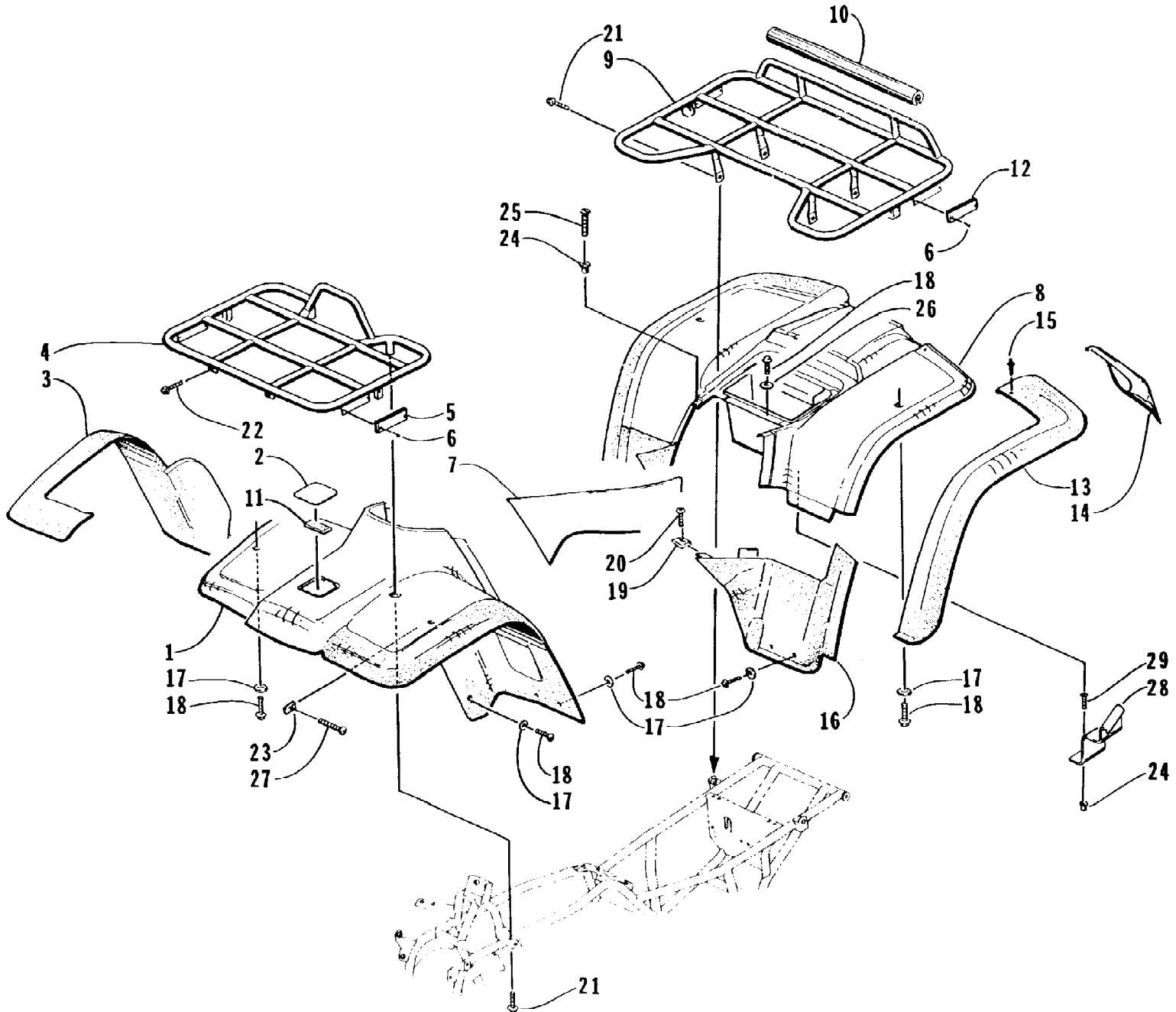


1998 ATV 454 4X4 (98A4A-1998)  
AIR INTAKE ASSEMBLY

Page 2 of 96

| Ref # | Part Number | Qty | S/P/F | Description                       |
|-------|-------------|-----|-------|-----------------------------------|
| 1     | 0423-066    | 1   |       | Clamp                             |
| 2     | 0470-305    | 1   |       | Boot, Air Cleaner                 |
| 3     | 0423-018    | 1   |       | Clamp                             |
| 4     | 0470-337    | 1   |       | Housing, Air Cleaner              |
| 5     | 0623-301    | 3   | /P    | Screw, Self-Tapping               |
| 6     | 0470-343    | 1   |       | Gasket, Air Cleaner               |
| 7     | 0470-342    | 1   | S     | Snorkel, Air Cleaner              |
| 8     | 0470-307    | 4   |       | Clamp, Air Cleaner                |
| 9     | 0423-037    | 4   |       | Spring, Air Cleaner               |
| 10    | 0623-121    | 4   |       | Screw, Machine                    |
| 11    | 0123-010    | 4   | /P    | Nut, Expansion                    |
| 12    | 0410-004    | 1   |       | Hose, Crankcase Vent              |
| 13    | 0470-322    | 1   | S     | Filter, Air Cleaner (inc. 14)     |
| 14    | 0470-332    | 1   |       | Sleeve, Filter                    |
| 15    | 0470-309    | 1   | S     | Valve, Air Cleaner                |
| 16    | 1673-272    | 1   | /P    | Cap, Fitting - Air Cleaner        |
| 17    | 0423-047    | 1   |       | Clamp, Hose                       |
| 18    | 0423-045    | 2   |       | Clamp, Hose - Spring              |
| 19    | 0470-351    | 2   |       | Support, Air Cleaner Flange (4x4) |
| 20    | 0406-356    | 1   |       | Plate, Heat - Air Intake          |
| 21    | 0423-082    | 1   |       | Clamp, Air Cleaner                |

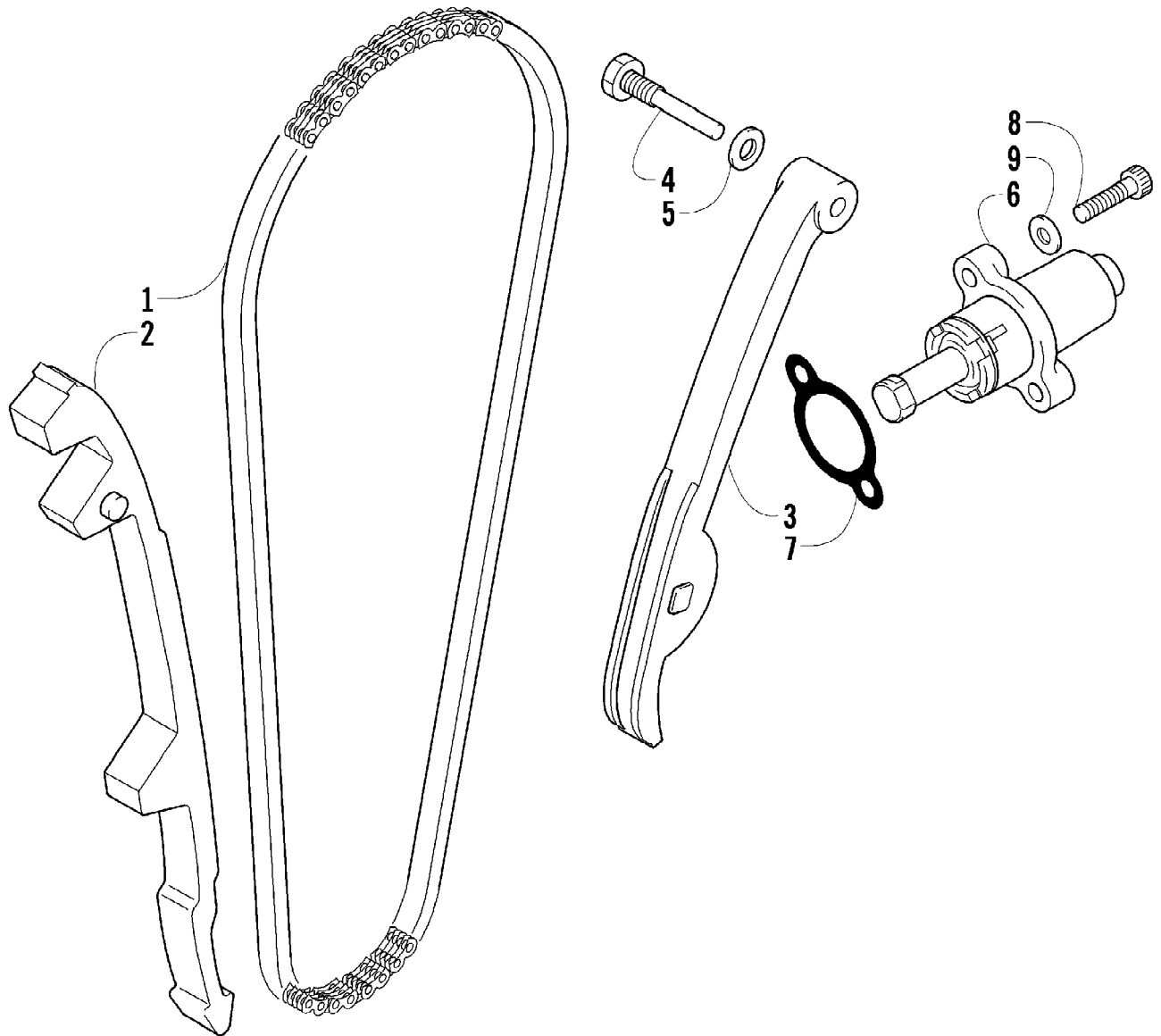


1998 ATV 454 4X4 (98A4A-1998)  
BODY PANEL ASSEMBLY

Page 4 of 96

| Ref # | Part Number | Qty | S/P/F | Description                   |
|-------|-------------|-----|-------|-------------------------------|
| 1     | 0506-156    | 1   | S     | Panel, Fender - Front         |
| 2     | 0506-153    | 1   | S     | Cover, Radiator Access        |
| 3     | 0406-080    | 1   | /P    | Flare - Front Right           |
| 3     | 0406-081    | 1   | /P    | Flare - Front Left            |
| 4     | 0506-104    | 1   | S     | Rack - Front                  |
| 5     | 0606-526    | 2   |       | Reflector - Yellow            |
| 6     | 0623-269    | 8   |       | Clip, Retaining               |
| 7     | 0506-164    | 1   |       | Panel, Side - Right           |
| 7     | 0506-165    | 1   |       | Panel, Side - Left            |
| 8     | 0506-157    | 1   |       | Panel, Fender - Rear          |
| 9     | 0506-103    | 1   | S     | Rack - Rear                   |
| 10    | 0406-293    | 1   |       | Wrap, Tube - Rear Rack        |
| 11    | 0417-002    | 1   |       | Foam, Radiator Access Panel   |
| 12    | 0606-029    | 2   |       | Reflector - Red               |
| 13    | 0406-082    | 1   |       | Flare - Rear Right            |
| 13    | 0406-083    | 1   |       | Flare - Rear Left             |
| 14    | 0406-086    | 1   |       | Mud Flap - Right              |
| 14    | 0406-087    | 1   |       | Mud Flap - Left               |
| 15    | 0423-046    | 56  |       | Rivet, Plastic                |
| 16    | 0506-160    | 1   |       | Fender Extension - Rear Right |
| 16    | 0506-161    | 1   |       | Fender Extension - Rear Left  |
| 17    | 0423-010    | 17  |       | Washer, Body                  |
| 18    | 8474-616    | 17  |       | Screw, Machine                |
| 19    | 0423-060    | 2   |       | Clip, Tinerman                |
| 20    | 0623-309    | 2   |       | Screw, Self-Tapping           |
| 21    | 8409-020    | 6   | /P    | Screw, Cap                    |
| 22    | 8408-812    | 2   |       | Screw, Cap                    |
| 23    | 0423-031    | 2   |       | Nut, Speed                    |
| 24    | 0123-010    | 3   | /P    | Nut, Expansion                |
| 25    | 0423-068    | 2   |       | Screw, Machine                |
| 26    | 0623-184    | 1   |       | Washer                        |
| 27    | 8477-616    | 2   |       | Screw, Machine                |
| 28    | 0406-297    | 1   |       | Plate, Heat - Rear Panel      |
| 29    | 0123-549    | 1   | /P    | Screw, Machine                |

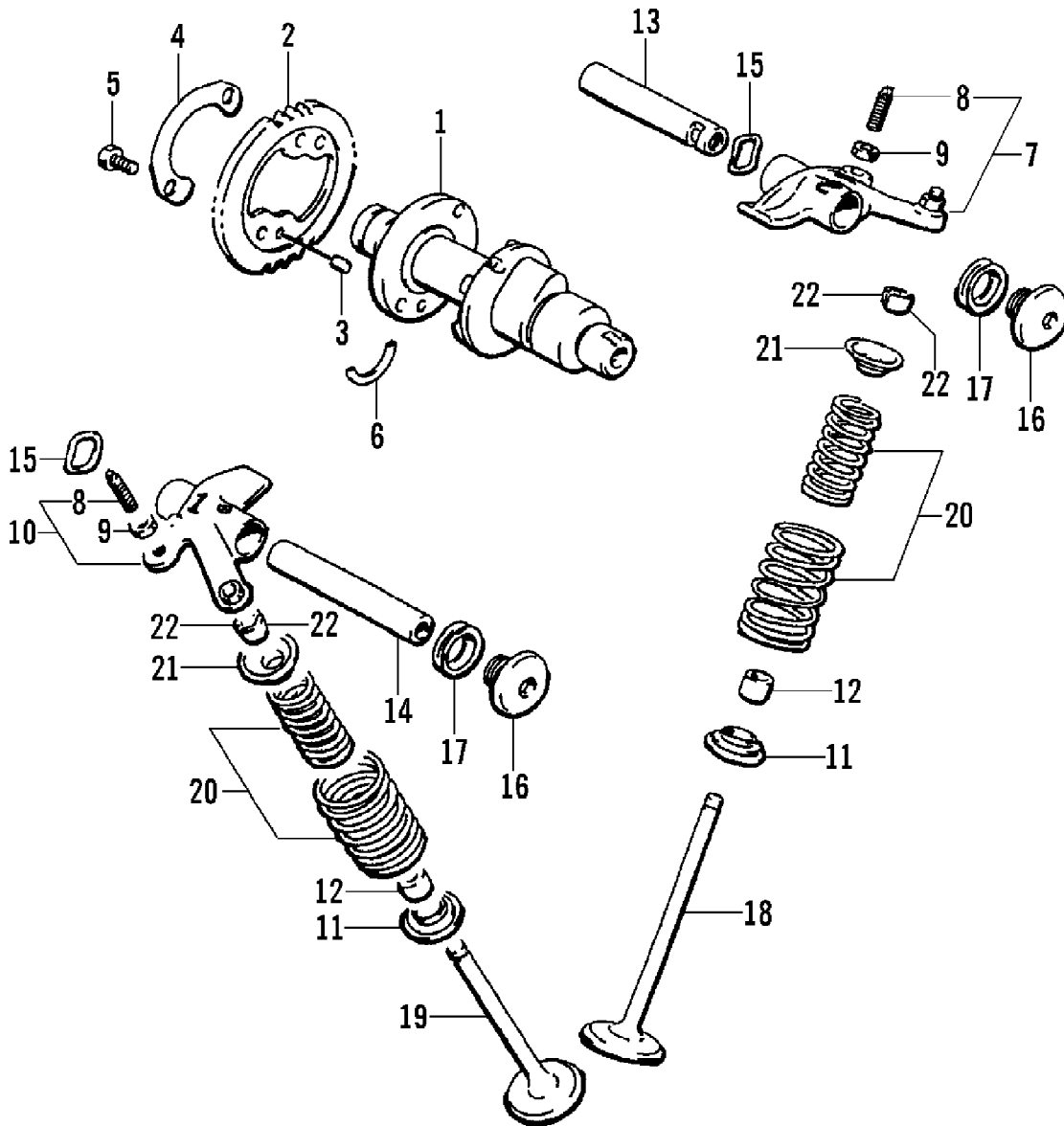
1998 ATV 454 4X4 (98A4A-1998)  
CAM CHAIN ASSEMBLY



1998 ATV 454 4X4 (98A4A-1998)  
CAM CHAIN ASSEMBLY

Page 6 of 96

| Ref # | Part Number | Qty | S/P/F | Description                    |
|-------|-------------|-----|-------|--------------------------------|
| 1     | 3402-133    | 1   |       | Chain, Cam                     |
| 2     | 3402-134    | 1   |       | Guide, Chain                   |
| 3     | 3402-135    | 1   |       | Tensioner, Chain               |
| 4     | 3423-074    | 1   |       | Screw, Cap                     |
| 5     | 3003-188    | 1   | S/P   | Washer                         |
| 6     | 3402-136    | 1   |       | Adjuster, Tensioner - Assembly |
| 7     | 3402-137    | 1   |       | Gasket                         |
| 8     | 3004-475    | 2   | S     | Screw, Cap                     |
| 9     | 3003-290    | 2   | /P    | Gasket                         |



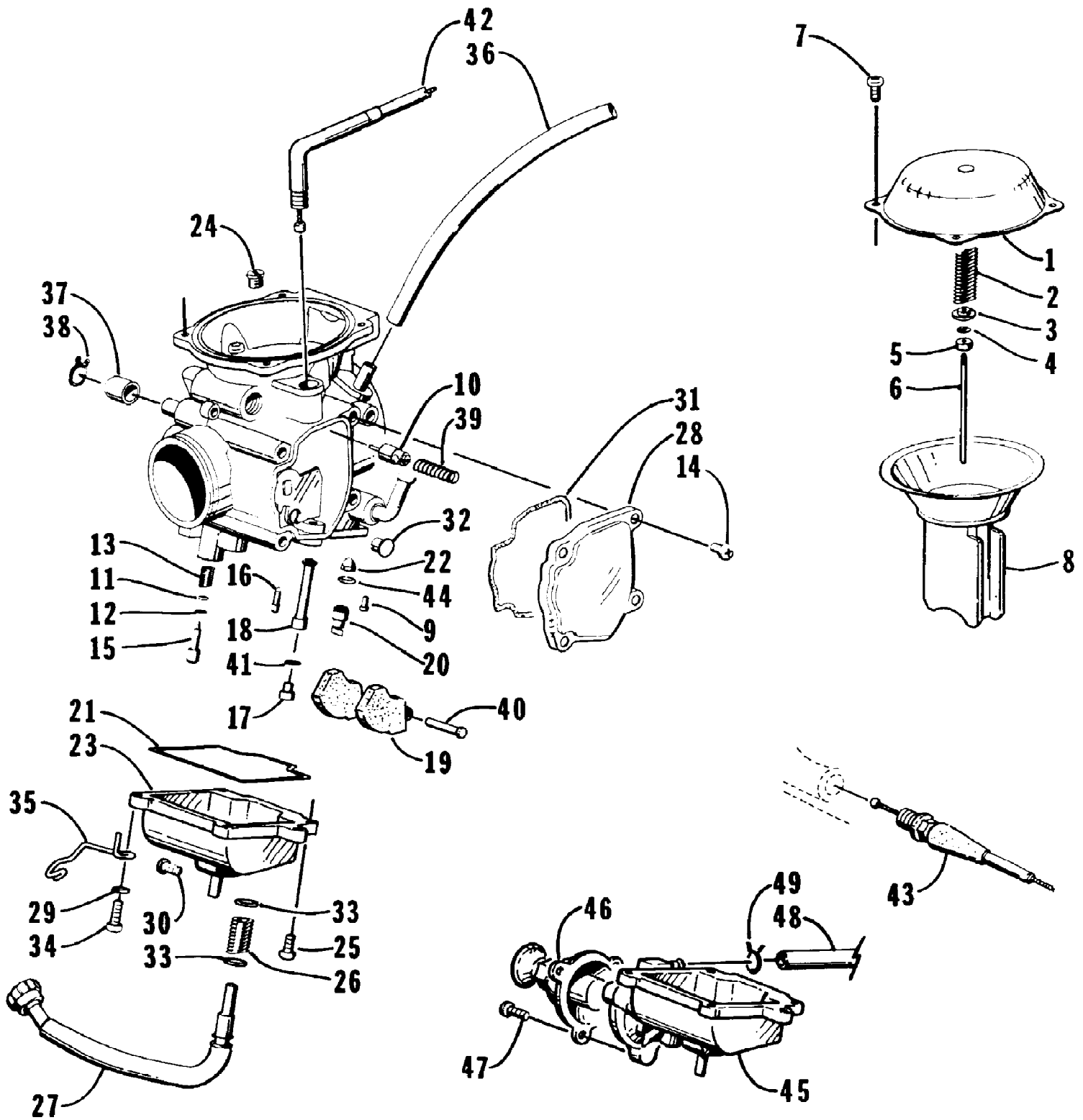
1998 ATV 454 4X4 (98A4A-1998)  
CAM SHAFT VALVE ASSEMBLY

Page 8 of 96

| Ref # | Part Number | Qty | S/P/F | Description                  |
|-------|-------------|-----|-------|------------------------------|
| 1     | 3402-130    | 1   | S     | Cam Shaft                    |
| 2     | 3402-131    | 1   |       | Sprocket                     |
| 3     | 3423-047    | 1   |       | Pin                          |
| 4     | 3423-073    | 1   |       | Washer                       |
| 5     | 3423-013    | 2   | S     | Screw, Cap                   |
| 6     | 3423-071    | 1   | /P    | C-Ring                       |
| 7     | 3402-138    | 1   | S     | Arm, Valve Rocker (inc. 8-9) |
| 8     | 3423-075    | 2   |       | Screw, Cap                   |
| 9     | 3423-076    | 2   |       | Nut                          |
| 10    | 3402-139    | 1   |       | Arm, Valve Rocker (inc. 8-9) |
| 11    | 3402-148    | 4   |       | Seat, Spring                 |
| 12    | 3402-078    | 4   |       | Seal, Oil                    |
| 13    | 3402-140    | 1   |       | Shaft, Rocker Arm            |
| 14    | 3402-141    | 1   |       | Shaft, Rocker Arm            |
| 15    | 3423-031    | 2   |       | Washer                       |
| 16    | 3402-040    | 2   | /P    | Plug, Shaft                  |
| 17    | 3402-012    | 2   |       | Gasket                       |
| 18    | 3402-142    | 2   | S     | Valve, Intake                |
| 19    | 3402-143    | 2   |       | Valve, Exhaust               |
| 20    | 3402-144    | 4   |       | Spring, Valve - Set          |
| 21    | 3402-146    | 4   | S     | Retainer, Spring             |
| 22    | 3402-147    | 8   |       | Cotter, Valve                |



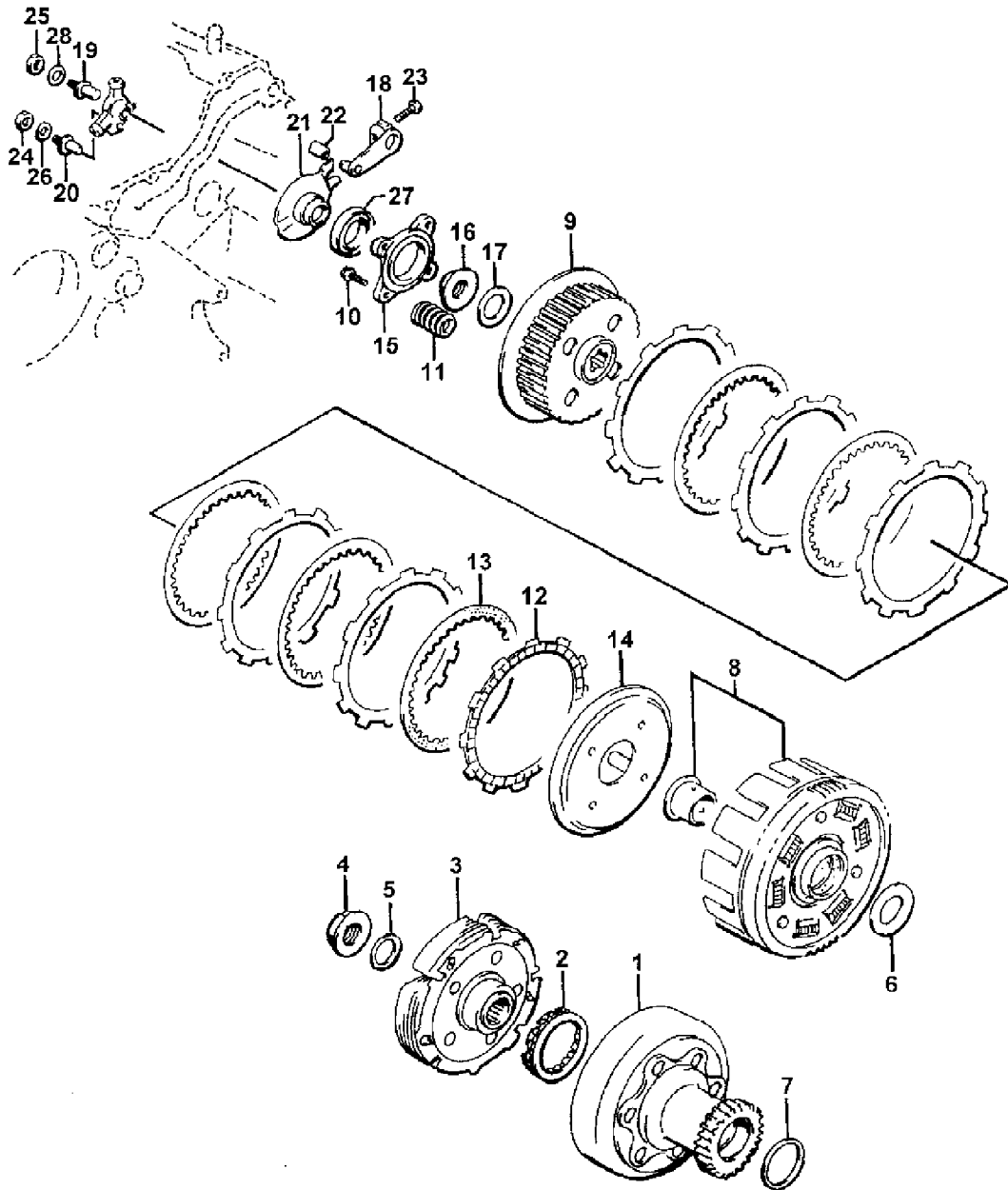
1998 ATV 454 4X4 (98A4A-1998)  
CARBURETOR



1998 ATV 454 4X4 (98A4A-1998)  
CARBURETOR

Page 10 of 96

| Ref # | Part Number | Qty | S/P/F | Description                   |
|-------|-------------|-----|-------|-------------------------------|
|       | 0470-354    | 1   | /P    | Complete Assembly (4x4)       |
| 1     | 4505-001    | 1   |       | Cover Assembly                |
| 2     | 4505-046    | 1   | /P    | Spring (4x4)                  |
| 3     | 4505-003    | 1   |       | Ring                          |
| 4     | 4505-004    | 1   | S     | E-Ring                        |
| 5     | 4505-005    | 1   |       | Ring                          |
| 6     | 4505-020    | 1   | /P    | Jet Needle 5D40-4             |
| 7     | 4505-007    | 4   | S     | Screw                         |
| 8     | 4505-008    | 1   | S     | Diaphragm                     |
| 9     | 4505-009    | 1   |       | Screw                         |
| 10    | 4505-010    | 1   |       | Plunger Assembly              |
| 11    | 4505-011    | 1   | /P    | O-Ring                        |
| 12    | 4505-012    | 1   |       | Washer                        |
| 13    | 4505-013    | 1   |       | Spring                        |
| 14    | 4505-014    | 4   |       | Screw                         |
| 15    | 4505-016    | 1   | /P    | Screw, Pilot                  |
| 16    | 4505-017    | 1   |       | Jet, Pilot 40                 |
| 17    | 4505-047    | 1   |       | Jet, Main 152.5 (4X4) (4x4)   |
| 18    | 4505-006    | 1   | /P    | Needle Jet P-7                |
| 19    | 4505-021    | 1   |       | Float Assembly                |
| 20    | 4505-022    | 1   |       | Seat, Valve 2.0 (With Needle) |
| 21    | 4505-044    | 1   |       | O-Ring, Bowl                  |
| 22    | 4505-045    | 1   |       | Filter                        |
| 24    | 4505-024    | 1   | /P    | Jet, Pilot - Air              |
| 25    | 4505-025    | 3   |       | Screw                         |
| 26    | 4505-026    | 1   |       | Spring                        |
| 27    | 4505-027    | 1   |       | Cable Adjust - Assembly       |
| 28    | 4505-028    | 1   |       | Cover                         |
| 29    | 4505-029    | 1   |       | Washer                        |
| 30    | 4505-030    | 1   |       | Screw                         |
| 31    | 4505-031    | 1   |       | O-Ring                        |
| 32    | 4505-032    | 1   |       | Guide, Cable                  |
| 33    | 4505-033    | 2   |       | Washer                        |
| 34    | 4505-042    | 1   |       | Screw                         |
| 35    | 4505-043    | 1   | S     | Clip                          |
| 36    | 4505-035    | 2   |       | Hose                          |
| 37    | 4505-036    | 1   | /P    | Cap                           |
| 38    | 4505-037    | 1   |       | Clip                          |
| 39    | 4505-039    | 1   | /P    | Spring                        |
| 40    | 6505-153    | 1   |       | Pin                           |
| 41    | 6505-006    | 1   |       | Washer                        |
| 42    | 0487-001    | 1   |       | Cable, Throttle               |
| 43    | 0487-002    | 1   |       | Cable, Choke                  |
| 44    | 6505-875    | 1   | /P    | O-Ring                        |
| 45    | 4505-049    | 1   |       | Chamber, Float (4x4)          |
| 46    | 4505-050    | 1   |       | Cover Assembly, Primer (4x4)  |
| 47    | 4505-051    | 3   |       | Screw, Cap (4x4)              |
| 48    | 0470-360    | 1   | /P    | Hose (4x4)                    |
| 49    | 4505-053    | 2   |       | Clip (4x4)                    |

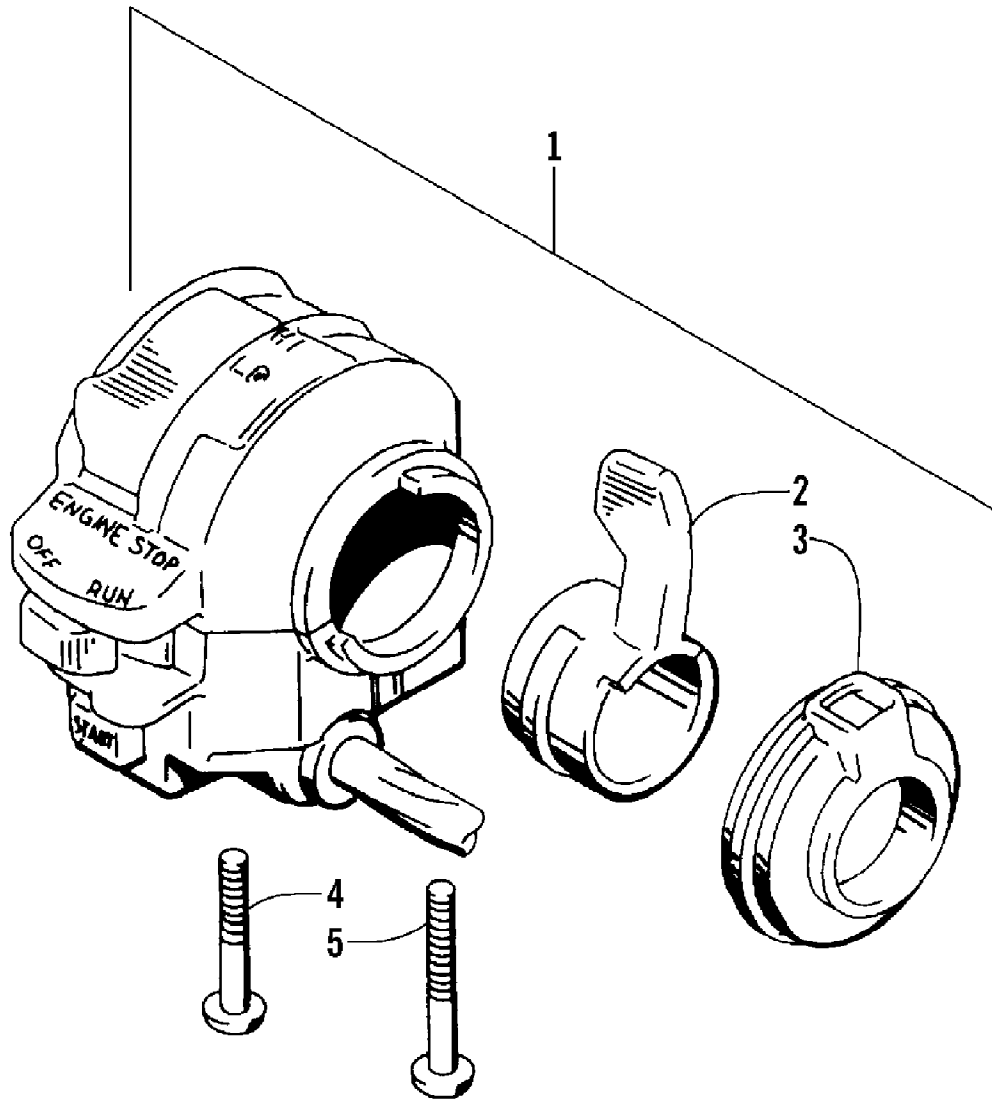


1998 ATV 454 4X4 (98A4A-1998)  
CLUTCH ASSEMBLY

Page 12 of 96

| Ref # | Part Number | Qty | S/P/F | Description                       |
|-------|-------------|-----|-------|-----------------------------------|
| 1     | 3446-001    | 1   | S     | Housing, Starter Clutch           |
| 2     | 3446-003    | 1   |       | Clutch, Primary Drive One Way     |
| 3     | 3446-010    | 1   |       | Shoe, Starter Clutch              |
| 4     | 3423-081    | 1   |       | Nut, Starter Clutch Shoe          |
| 5     | 3423-032    | 1   |       | Washer, Starter Shoe              |
| 6     | 3423-122    | 1   |       | Washer, Primary Driven            |
| 7     | 3423-186    | 1   |       | Washer, Primary Driven            |
| 8     | 3446-002    | 1   |       | Gear, Primary Driven - Assembly   |
| 9     | 3446-004    | 1   |       | Hub, Clutch Sleeve                |
| 10    | 3423-079    | 4   |       | Screw, Cap, Clutch Spring         |
| 11    | 3446-005    | 4   |       | Spring, Clutch                    |
| 12    | 3446-006    | 6   |       | Plate, Clutch Drive               |
| 13    | 3446-007    | 5   |       | Plate, Clutch Driven              |
| 14    | 3446-008    | 1   |       | Disk, Clutch Pressure             |
| 15    | 3446-009    | 1   |       | Plate, Clutch Release             |
| 16    | 3423-080    | 1   |       | Nut, Clutch Sleeve Hub            |
| 17    | 3423-032    | 1   |       | Washer, Sleeve Hub                |
| 18    | 3446-011    | 1   |       | Arm, Clutch Release               |
| 19    | 3423-082    | 1   |       | Bolt, Clutch (No. 1)              |
| 20    | 3423-083    | 2   |       | Bolt, Clutch (No. 2)              |
| 21    | 3446-012    | 1   |       | Guide, Release Roller             |
| 22    | 3446-013    | 1   | S     | Roller, Clutch Release - Assembly |
| 23    | 3423-125    | 1   | S     | Bolt, Clutch Release Arm          |
| 24    | 3008-014    | 1   |       | Nut, Clutch Release (No. 2)       |
| 25    | 3423-022    | 1   |       | Nut, Clutch Release (No. 1)       |
| 26    | 3423-027    | 1   |       | Washer, Clutch (No.2)             |
| 27    | 3402-186    | 1   | /P    | Bearing, Clutch                   |
| 28    | 3423-204    | 1   | /P    | Washer, Clutch (No. 1)            |

1998 ATV 454 4X4 (98A4A-1998)  
CONTROL SWITCH HOUSING ASSEMBLY

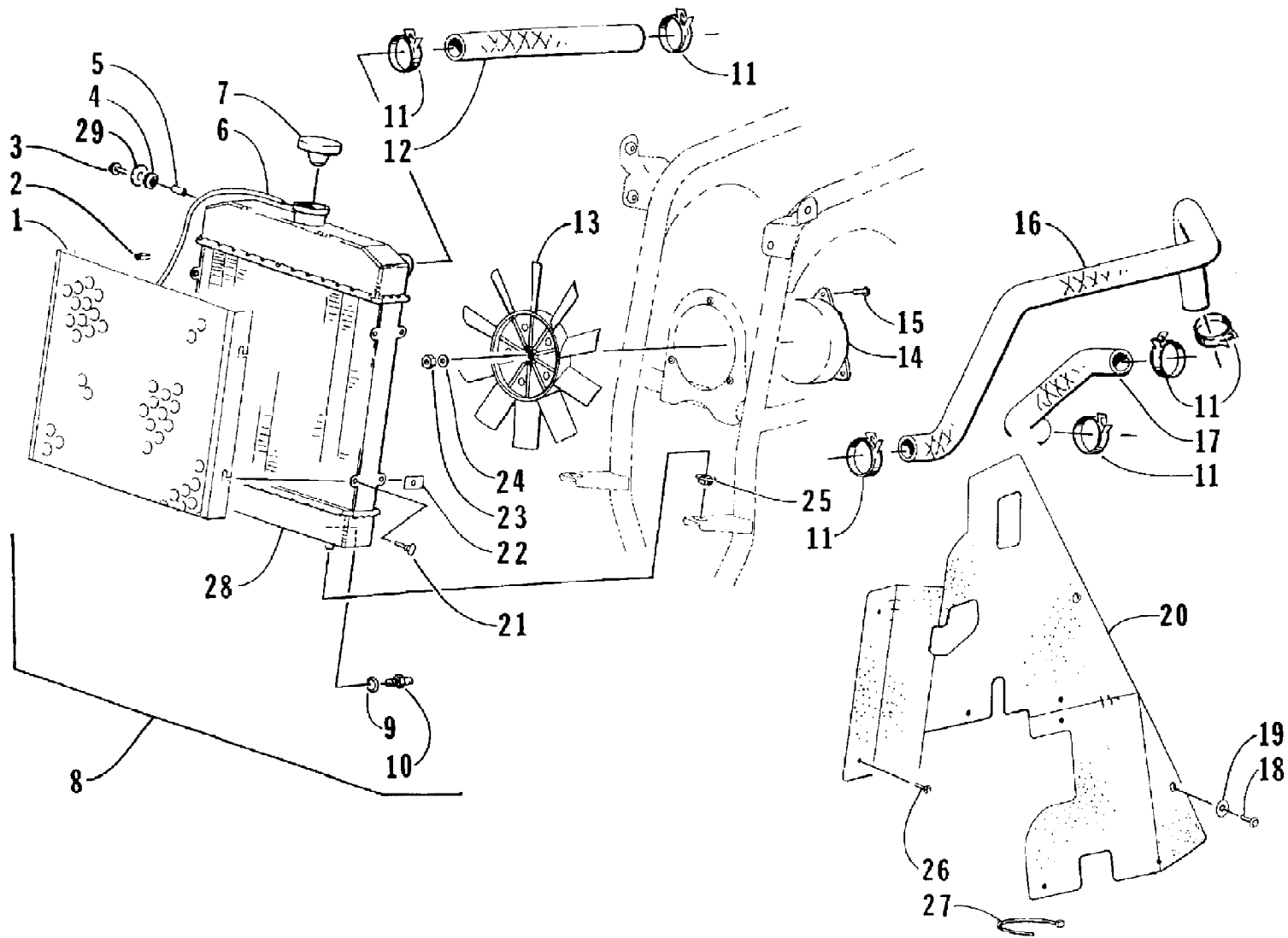


1998 ATV 454 4X4 (98A4A-1998)  
CONTROL SWITCH HOUSING ASSEMBLY

Page 14 of 96

| Ref # | Part Number | Qty | S/P/F | Description                          |
|-------|-------------|-----|-------|--------------------------------------|
| 1     | 3509-001    | 1   | S     | Switch, Handle - Assembly (inc. 2-5) |
| 2     | 3409-009    | 1   |       | Lever, Choke                         |
| 3     | 3409-010    | 1   |       | Cover, Choke                         |
| 4     | 3423-196    | 1   |       | Screw, Cap                           |
| 5     | 3423-197    | 1   |       | Screw, Cap                           |

1998 ATV 454 4X4 (98A4A-1998)  
COOLING ASSEMBLY



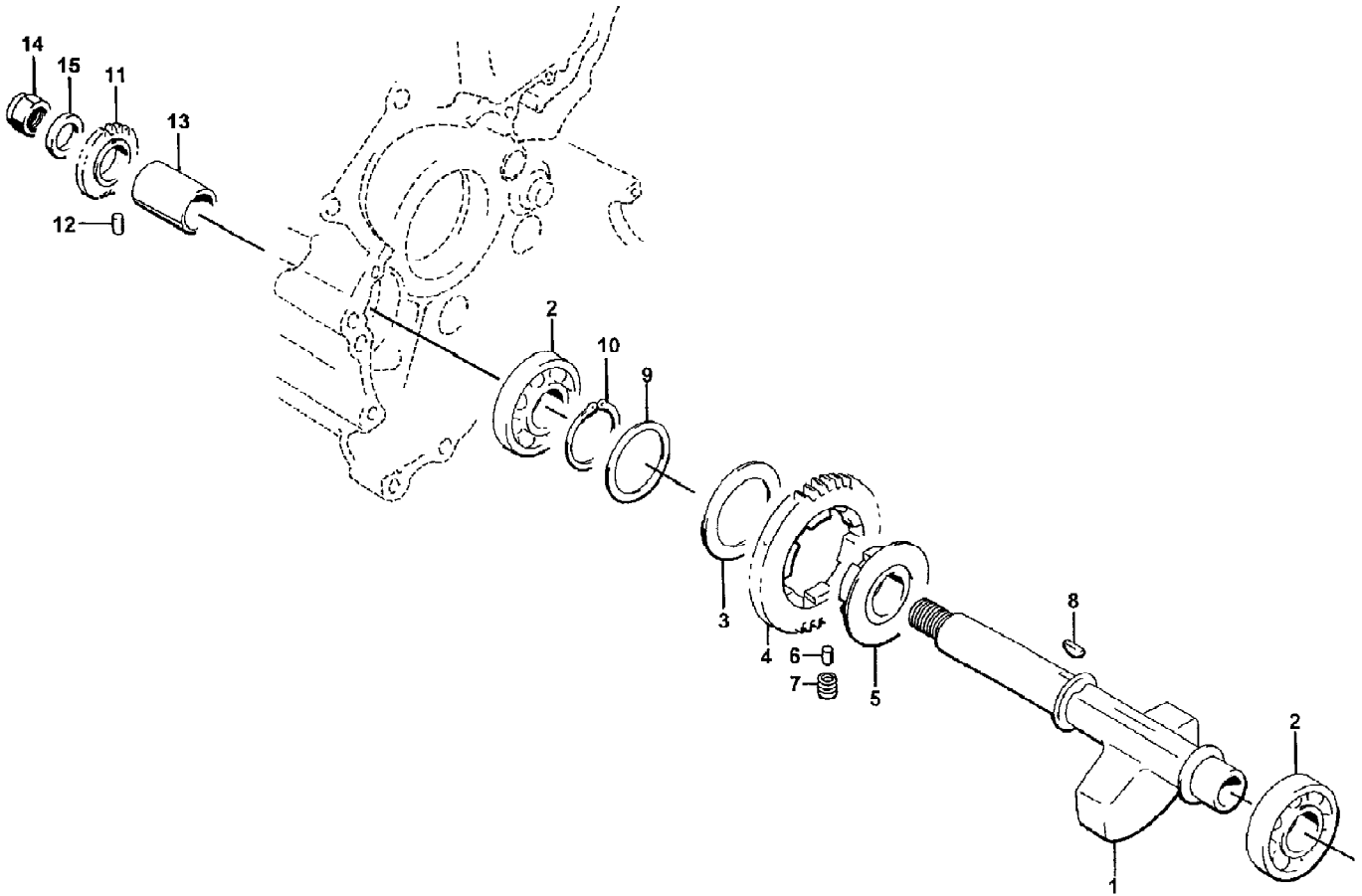
1998 ATV 454 4X4 (98A4A-1998)  
COOLING ASSEMBLY

Page 16 of 96

| Ref # | Part Number | Qty | S/P/F | Description                                         |
|-------|-------------|-----|-------|-----------------------------------------------------|
| 1     | 0413-007    | 1   |       | Screen, Radiator                                    |
| 2     | 3002-964    | 2   | /P    | Clamp, Wire                                         |
| 3     | 8476-620    | 2   |       | Screw, Cap                                          |
| 4     | 0423-030    | 2   |       | Grommet                                             |
| 5     | 0423-036    | 2   |       | Collar                                              |
| 6     | 0610-016    | 0   | /P    | Hose - 25 ft                                        |
| 7     | 0413-002    | 1   | S     | Cap, Radiator                                       |
| 8     | 0413-001    | 1   |       | Radiator - Assembly (inc. 1, 4, 7, 9-10, 21 and 28) |
| 9     | 0423-062    | 1   |       | O-Ring                                              |
| 10    | 0430-010    | 1   | /P    | Switch, Temperature Sensor                          |
| 11    | 0423-070    | 6   |       | Clamp, Hose                                         |
| 12    | 0410-002    | 1   |       | Hose, Coolant - Upper                               |
| 13    | 0413-006    | 1   |       | Blade, Fan                                          |
| 14    | 0413-004    | 1   |       | Motor, Fan                                          |
| 15    | 8474-516    | 3   |       | Screw, Machine                                      |
| 16    | 0410-001    | 1   |       | Hose, Coolant - Lower                               |
| 17    | 0410-003    | 1   |       | Hose, Coolant - Crossover                           |
| 18    | 8474-616    | 4   |       | Screw, Machine                                      |
| 19    | 0423-010    | 4   |       | Washer, Shoulder                                    |
| 20    | 0406-200    | 2   |       | Panel, Fender - Inner                               |
| 21    | 0413-009    | 4   |       | Screw, Thumb                                        |
| 22    | 0423-031    | 4   |       | Nut, Speed                                          |
| 23    | 0423-056    | 1   |       | Nut - Left                                          |
| 24    | 8050-252    | 1   |       | Washer                                              |
| 25    | 0423-028    | 2   |       | Bushing, Stem                                       |
| 26    | 8477-616    | 4   |       | Screw, Machine                                      |
| 27    | 0123-788    | 8   | /P    | Tie, Cable                                          |
| 28    | 0           | 1   | F     | N/A                                                 |
| 29    | 0623-184    | 2   |       | Washer                                              |



1998 ATV 454 4X4 (98A4A-1998)  
CRANK BALANCER ASSEMBLY

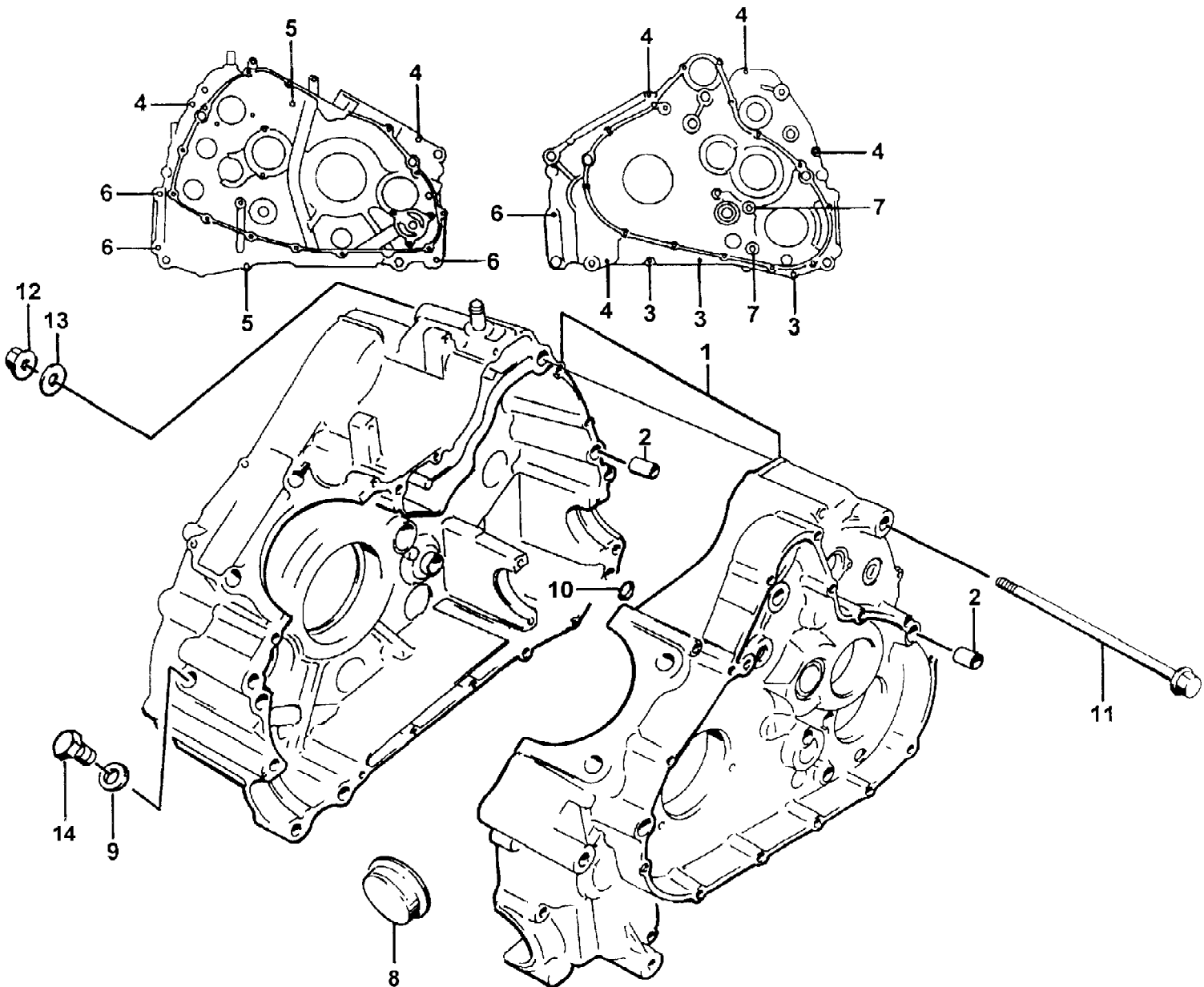


1998 ATV 454 4X4 (98A4A-1998)  
CRANK BALANCER ASSEMBLY

Page 18 of 96

| Ref # | Part Number | Qty | S/P/F | Description             |
|-------|-------------|-----|-------|-------------------------|
| 1     | 3402-126    | 1   |       | Balancer, Crank         |
| 2     | 3402-050    | 2   |       | Bearing                 |
| 3     | 3423-033    | 1   |       | Washer                  |
| 4     | 3402-128    | 1   |       | Gear, Driven            |
| 5     | 3402-129    | 1   |       | Race, Driven Gear Inner |
| 6     | 3423-106    | 3   | /P    | Pin                     |
| 7     | 3402-090    | 6   |       | Spring                  |
| 8     | 3004-540    | 1   | /P    | Key                     |
| 9     | 3423-107    | 1   |       | Washer                  |
| 10    | 3423-200    | 1   | /P    | Circlip                 |
| 11    | 3402-150    | 1   |       | Gear, Oil Pump Drive    |
| 12    | 3423-114    | 1   | /P    | Pin                     |
| 13    | 3402-151    | 1   |       | Spacer                  |
| 14    | 3423-025    | 1   |       | Nut, Lock               |
| 15    | 3423-029    | 1   |       | Washer                  |

1998 ATV 454 4X4 (98A4A-1998)  
CRANKCASE ASSEMBLY

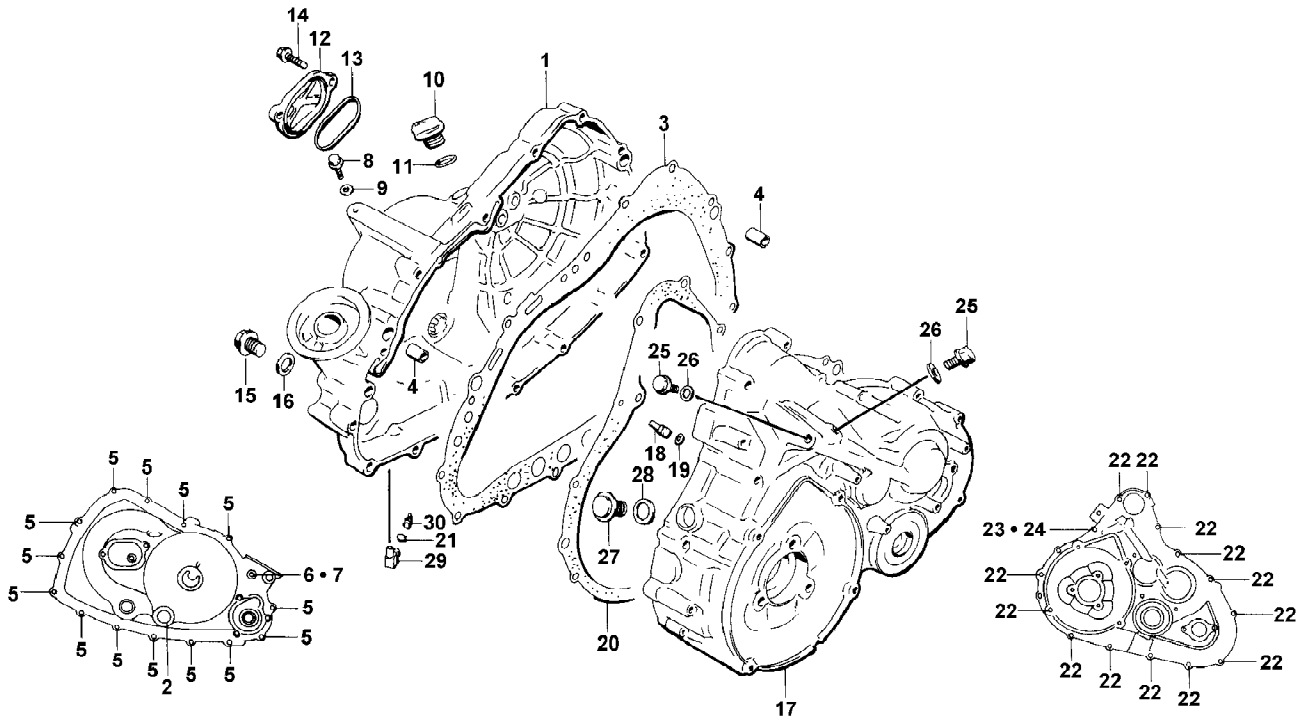


1998 ATV 454 4X4 (98A4A-1998)  
CRANKCASE ASSEMBLY

Page 20 of 96

| Ref # | Part Number | Qty | S/P/F | Description                    |
|-------|-------------|-----|-------|--------------------------------|
| 1     | 3402-198    | 1   | S     | Crankcase Set (inc. 2-8) (4x4) |
| 2     | 3423-088    | 4   |       | Pin                            |
| 3     | 3423-091    | 3   | S     | Screw, Cap                     |
| 4     | 3423-092    | 6   | S     | Screw, Cap                     |
| 5     | 3423-094    | 2   |       | Screw, Cap                     |
| 6     | 0693-303    | 4   | S     | Screw, Cap                     |
| 7     | 3423-093    | 2   |       | Screw, Cap                     |
| 9     | 3402-011    | 1   |       | Gasket                         |
| 10    | 3423-052    | 1   |       | O-Ring                         |
| 11    | 3423-009    | 3   | /P    | Screw, Cap                     |
| 12    | 3423-024    | 3   |       | Nut                            |
| 13    | 3004-278    | 3   | S/P   | Washer (4x4)                   |
| 14    | 3423-095    | 1   |       | Plug, Oil Gallery              |

1998 ATV 454 4X4 (98A4A-1998)  
CRANKCASE COVER ASSEMBLY

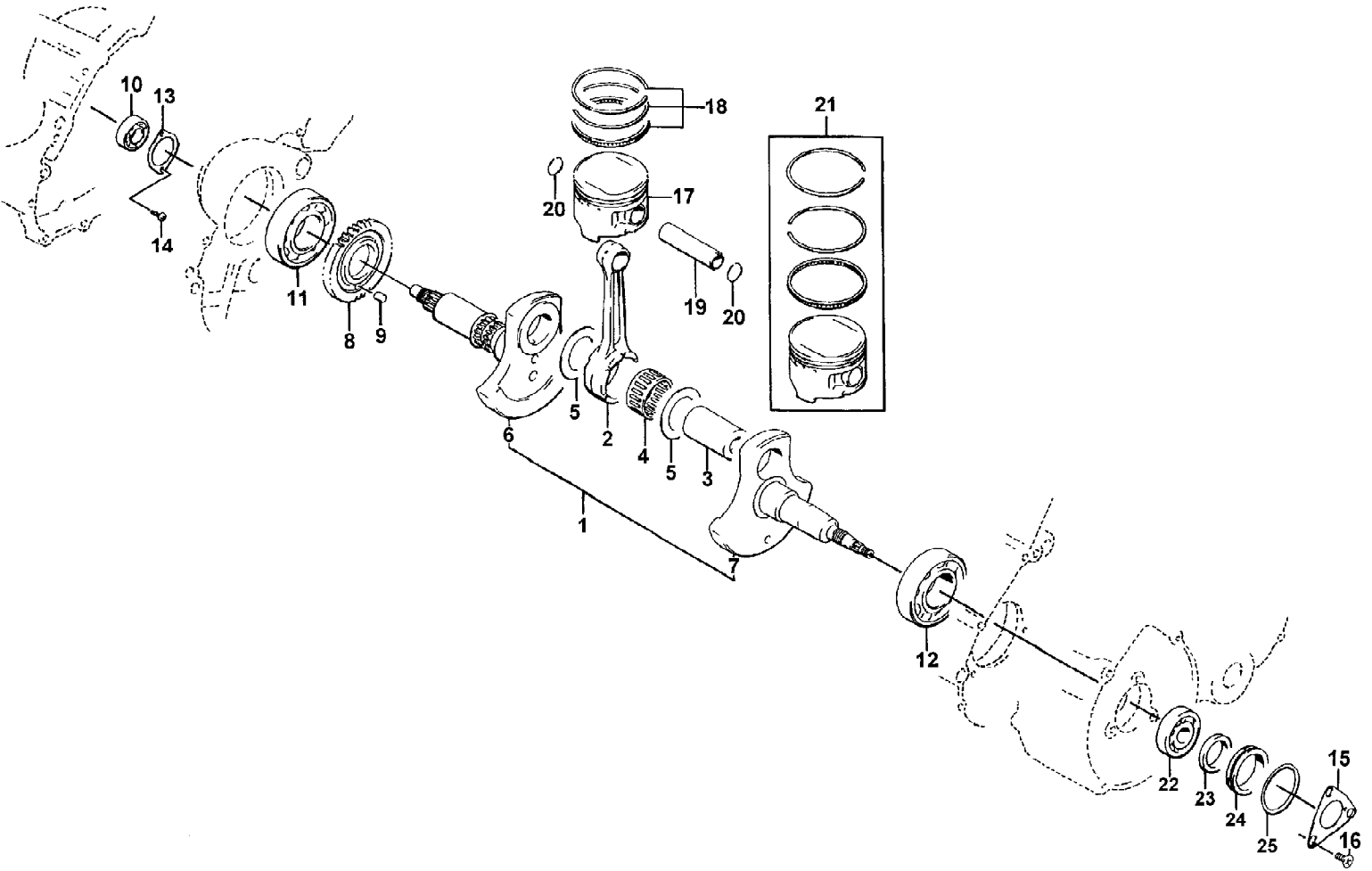


1998 ATV 454 4X4 (98A4A-1998)  
CRANKCASE COVER ASSEMBLY

Page 22 of 96

| Ref # | Part Number | Qty | S/P/F | Description                      |
|-------|-------------|-----|-------|----------------------------------|
| 1     | 3402-199    | 1   | /P    | Cover, Clutch (inc. 2)           |
| 2     | 3402-112    | 1   | /P    | Lens, Oil Inspection             |
| 3     | 3402-108    | 1   |       | Gasket                           |
| 4     | 3423-088    | 2   |       | Pin                              |
| 5     | 0693-327    | 14  | S     | Screw, Cap                       |
| 6     | 3423-097    | 1   |       | Screw, Cap                       |
| 7     | 3003-290    | 1   | /P    | Gasket                           |
| 8     | 3004-339    | 1   | S/P   | Plug, Oil Gallery                |
| 9     | 3402-009    | 1   | /P    | Gasket                           |
| 10    | 3402-042    | 1   |       | Cap, Engine Oil Filler           |
| 11    | 3423-055    | 1   |       | O-Ring                           |
| 12    | 3402-100    | 1   |       | Cap, Inspection                  |
| 13    | 3402-101    | 1   |       | O-Ring                           |
| 14    | 3423-096    | 2   | S     | Screw, Cap                       |
| 15    | 3402-037    | 1   |       | Plug, Oil Pressure               |
| 16    | 3402-012    | 1   |       | Gasket                           |
| 17    | 3402-106    | 1   |       | Cover Set, Transfer (inc. 18-19) |
| 18    | 3402-097    | 1   |       | Jet, Oil Mission                 |
| 19    | 3423-051    | 1   |       | O-Ring                           |
| 20    | 3402-109    | 1   | S     | Gasket                           |
| 21    | 3423-120    | 1   |       | Clip                             |
| 22    | 3423-098    | 13  | S     | Screw, Cap                       |
| 23    | 3423-092    | 1   | S     | Screw, Cap                       |
| 24    | 3003-290    | 1   | /P    | Gasket                           |
| 25    | 3004-705    | 2   | S     | Plug, Oil Gallery                |
| 26    | 3003-188    | 2   | S/P   | Gasket                           |
| 27    | 3402-192    | 1   |       | Plug, Allen Head                 |
| 28    | 3402-013    | 1   | /P    | Gasket                           |
| 29    | 3413-009    | 1   |       | Union, Water Drain               |
| 30    | 3413-008    | 1   |       | Hose                             |

1998 ATV 454 4X4 (98A4A-1998)  
CRANKSHAFT ASSEMBLY

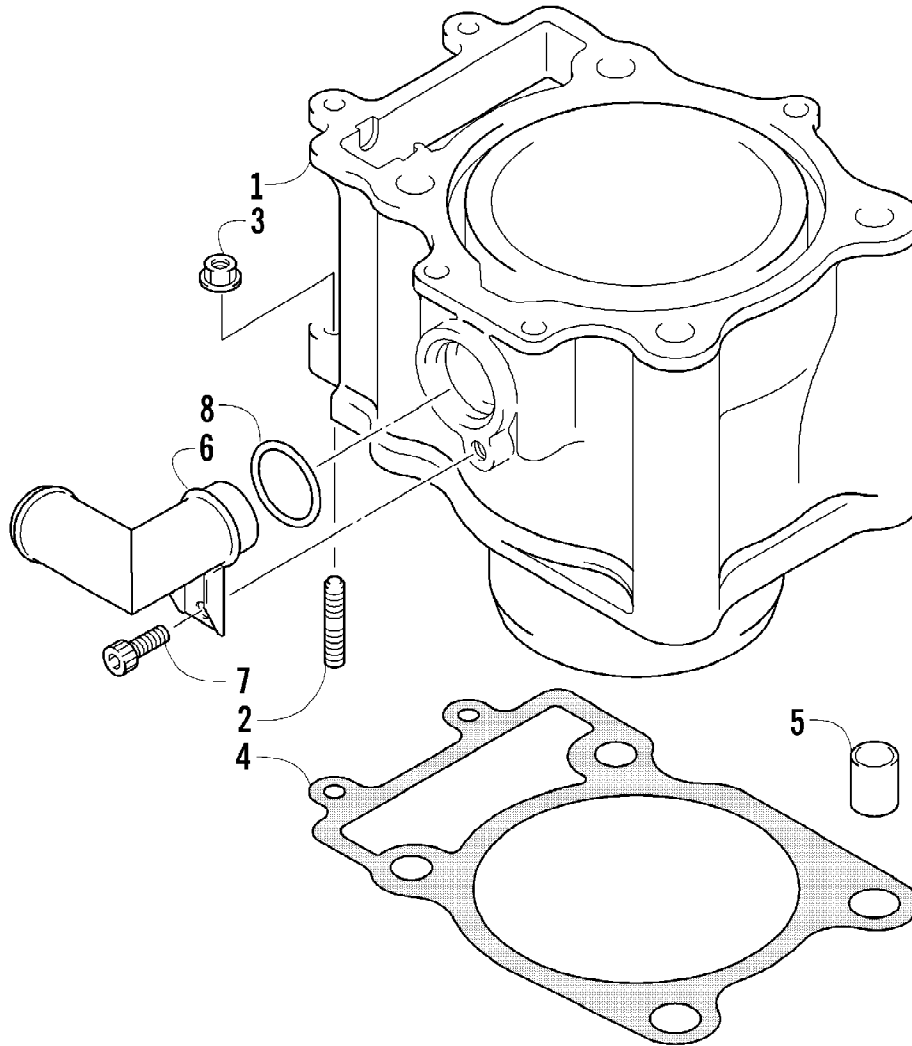


1998 ATV 454 4X4 (98A4A-1998)  
CRANKSHAFT ASSEMBLY

Page 24 of 96

| Ref # | Part Number | Qty | S/P/F | Description                       |
|-------|-------------|-----|-------|-----------------------------------|
| 1     | 3402-115    | 1   |       | Crankshaft - Assembly (inc. 2-9)  |
| 2     | 3402-111    | 1   |       | Rod, Connecting                   |
| 3     | 3402-116    | 1   |       | Pin, Crank                        |
| 4     | 3402-064    | 1   |       | Bearing                           |
| 5     | 3423-030    | 2   |       | Washer                            |
| 6     | 3402-193    | 1   |       | Crankshaft Set - Right (inc. 8-9) |
| 7     | 3402-118    | 1   |       | Crankshaft - Left                 |
| 8     | 0           | 1   | F     | Gear, Balancer Drive              |
| 9     | 0           | 1   | F     | Pin                               |
| 10    | 3402-044    | 1   |       | Bearing - Right                   |
| 11    | 3402-058    | 1   |       | Bearing - Center                  |
| 12    | 3402-054    | 1   |       | Bearing - Left                    |
| 13    | 3402-120    | 1   |       | Retainer, Bearing - Right         |
| 14    | 3423-017    | 2   |       | Screw, Cap                        |
| 15    | 3402-188    | 1   | /P    | Retainer, Oil Seal - Left         |
| 16    | 3423-018    | 3   |       | Screw, Cap                        |
| 17    | 3402-113    | 1   |       | Piston                            |
| 18    | 3402-114    | 1   |       | Ring Set, Piston                  |
| 18    | 3436-007    | 1   | S     | Ring Set (+0.020 in.)             |
| 18    | 3436-008    | 1   | S     | Ring Set (+0.040 in.)             |
| 19    | 3402-110    | 1   |       | Pin                               |
| 20    | 3423-069    | 2   |       | Circlip                           |
| 21    | 3436-002    | 1   | /P    | Piston Set (+0.020 in.)           |
| 21    | 3436-003    | 1   |       | Piston Set (+0.040 in.)           |
| 22    | 3402-051    | 1   |       | Bearing                           |
| 23    | 3402-070    | 1   |       | Seal, Oil                         |
| 24    | 3402-119    | 1   | S     | Spacer                            |
| 25    | 3423-063    | 1   |       | O-Ring                            |

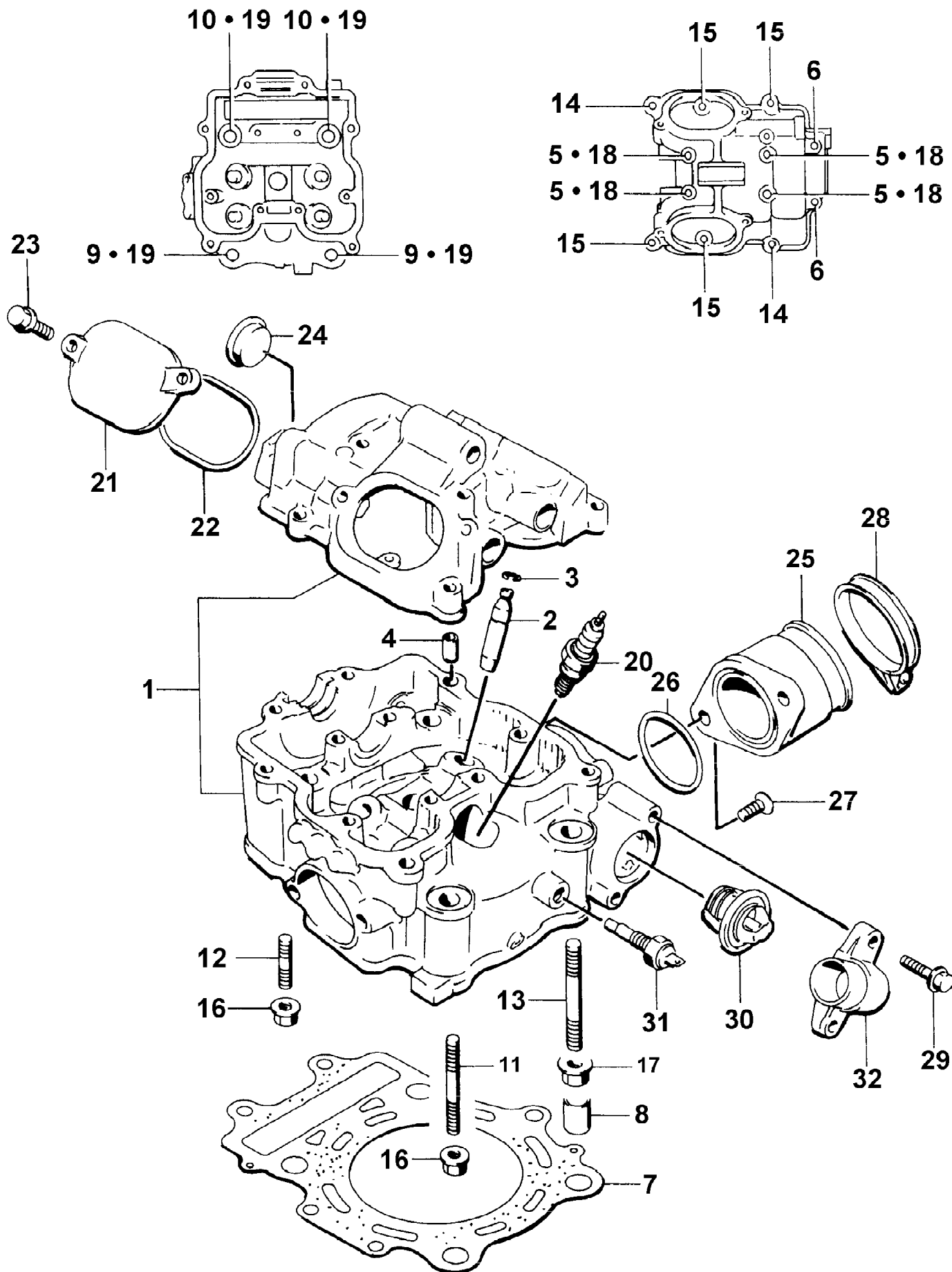




1998 ATV 454 4X4 (98A4A-1998)  
CYLINDER ASSEMBLY

Page 26 of 96

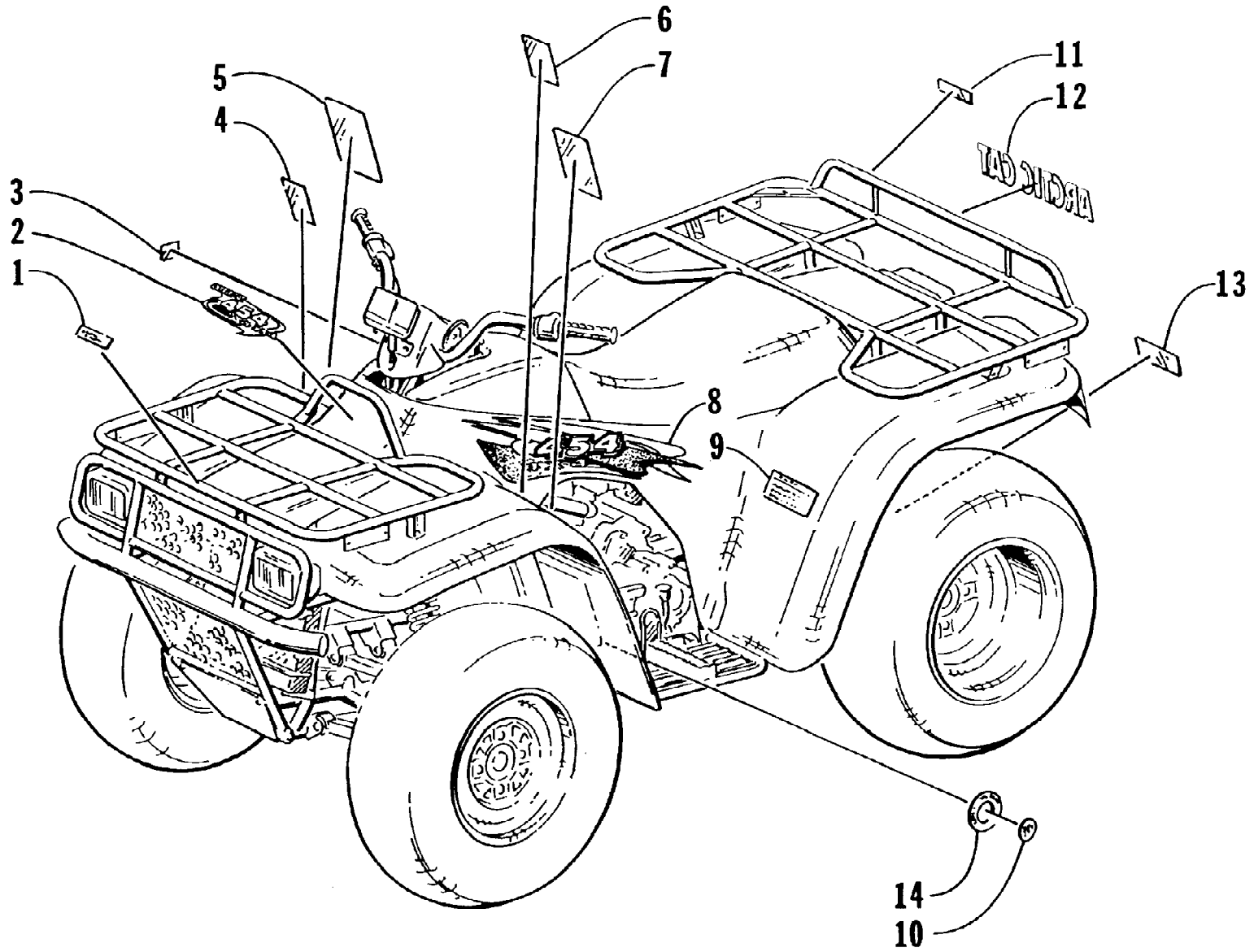
| Ref # | Part Number | Qty | S/P/F | Description       |
|-------|-------------|-----|-------|-------------------|
| 1     | 3402-102    | 1   |       | Cylinder          |
| 2     | 3423-090    | 2   |       | Bolt, Stud        |
| 3     | 3004-488    | 2   | S/P   | Nut               |
| 4     | 3402-103    | 1   | S     | Gasket, Cylinder  |
| 5     | 3423-088    | 2   |       | Pin               |
| 6     | 3413-006    | 1   |       | Union, Water Hose |
| 7     | 3423-121    | 1   | S     | Screw, Cap        |
| 8     | 3423-058    | 1   |       | O-Ring            |



1998 ATV 454 4X4 (98A4A-1998)  
CYLINDER HEAD ASSEMBLY

Page 28 of 96

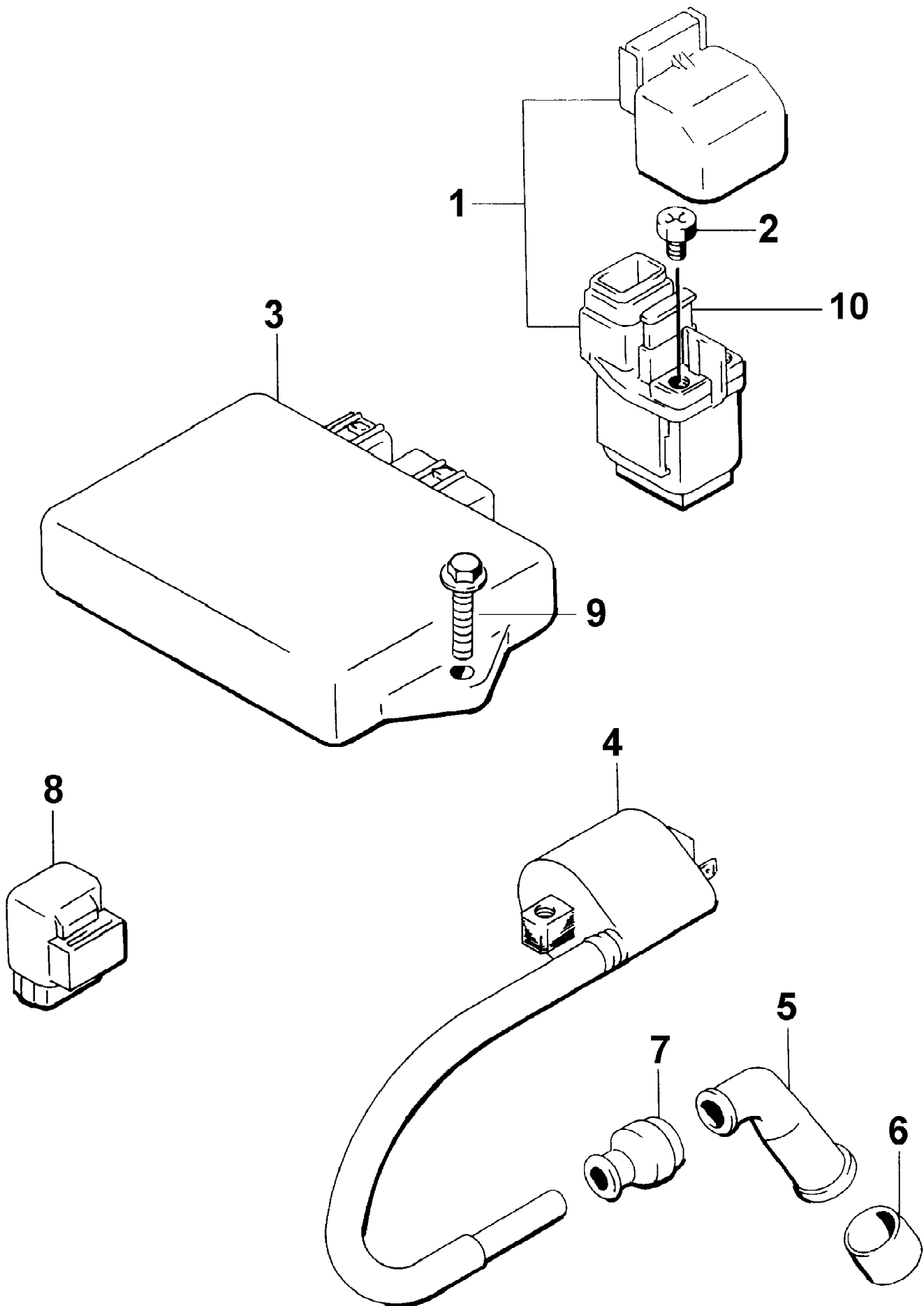
| Ref # | Part Number | Qty | S/P/F | Description                          |
|-------|-------------|-----|-------|--------------------------------------|
|       | 3402-107    | 1   | S     | Complete Gasket Set                  |
| 1     | 3402-098    | 1   |       | Head, Cylinder - Assembly (inc. 2-6) |
| 2     | 3402-099    | 4   |       | Guide, Valve                         |
| 3     | 3423-068    | 4   |       | Circlip                              |
| 4     | 3423-043    | 2   | /P    | Pin                                  |
| 5     | 3423-006    | 4   |       | Screw, Cap                           |
| 6     | 3008-376    | 2   | S     | Screw, Cap                           |
| 7     | 3402-163    | 1   |       | Gasket, Cylinder Head                |
| 8     | 3423-088    | 2   |       | Pin                                  |
| 9     | 3423-015    | 2   |       | Screw, Cap                           |
| 10    | 3423-016    | 2   |       | Screw, Cap                           |
| 11    | 3423-089    | 2   | S     | Screw, Cylinder Head Stud            |
| 12    | 3423-087    | 2   | S     | Screw, Cylinder Head Stud            |
| 13    | 3423-203    | 1   | S/P   | Bolt, Stud                           |
| 14    | 3423-007    | 2   | S     | Screw, Cap                           |
| 15    | 3004-376    | 4   | S/P   | Screw, Cap                           |
| 16    | 3004-488    | 4   | S/P   | Nut                                  |
| 17    | 3004-326    | 1   | S/P   | Nut                                  |
| 18    | 3003-290    | 4   | /P    | Gasket                               |
| 19    | 3402-010    | 4   |       | Gasket, Head Nut                     |
| 20    | 0217-705    | 1   | /P    | Spark Plug (NGK CR8E)                |
| 21    | 3402-100    | 2   |       | Cap, Inspection                      |
| 22    | 3402-101    | 2   |       | O-Ring                               |
| 23    | 3004-341    | 4   | S/P   | Screw, Cap                           |
| 24    | 3402-035    | 1   |       | Plug, Cylinder Head                  |
| 25    | 3402-149    | 1   |       | Pipe, Intake - Assembly (inc. 26)    |
| 26    | 3423-062    | 1   | S     | O-Ring                               |
| 27    | 3423-019    | 2   |       | Screw, Cap                           |
| 28    | 3402-086    | 1   | /P    | Clamp                                |
| 29    | 3004-341    | 2   | S/P   | Screw, Cap                           |
| 30    | 3413-005    | 1   | S     | Thermostat                           |
| 31    | 3530-005    | 1   |       | Switch, Water Temp - Assembly        |
| 32    | 3413-004    | 1   |       | Cover, Thermostat                    |
| 33    | 3402-048    | 1   | F     | Plug, Frost                          |



1998 ATV 454 4X4 (98A4A-1998)  
DECALS

Page 30 of 96

| Ref # | Part Number | Qty | S/P/F | Description                       |
|-------|-------------|-----|-------|-----------------------------------|
|       | 0436-137    | 1   |       | French Decal Kit                  |
| 1     | 0411-006    | 1   |       | Decal, Warning - Front Rack Load  |
| 2     | 0411-103    | 1   |       | Decal, Front                      |
| 3     | 0411-011    | 1   |       | Decal, Caution - Electrical       |
| 4     | 0411-045    | 1   |       | Decal, Warning - Turn             |
| 5     | 0411-008    | 1   | /P    | Decal, Warning - Reverse/Pre-Ride |
| 6     | 0411-040    | 1   |       | Decal, Warning - Age              |
| 7     | 0411-010    | 1   |       | Decal, Warning - General          |
| 8     | 0411-104    | 1   |       | Decal, Side - Right               |
| 8     | 0411-105    | 1   |       | Decal, Side - Left                |
| 9     | 0411-097    | 1   |       | Decal, Warning - Tire Pressure    |
| 10    | 0411-003    | 1   |       | Decal, Shift Pattern              |
| 11    | 0411-007    | 1   |       | Decal, Warning - Rear Rack Load   |
| 12    | 0411-043    | 1   | /P    | Decal, "Arctic Cat"               |
| 13    | 0411-013    | 1   |       | Decal, Warning - Towing           |
| 14    | 0411-009    | 1   |       | Decal, Hi/Low Range               |

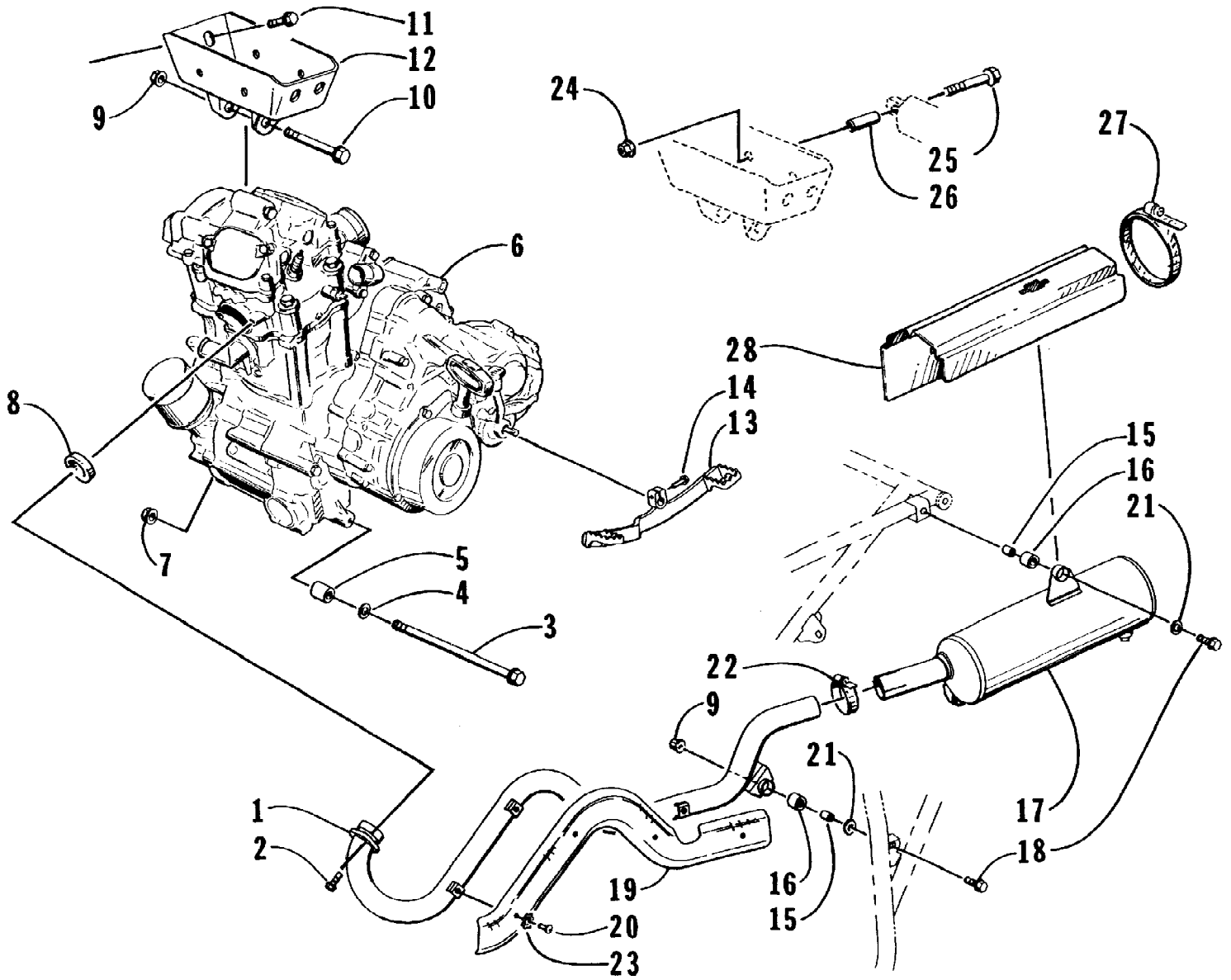


1998 ATV 454 4X4 (98A4A-1998)  
ELECTRICAL COMPONENTS ASSEMBLY

Page 32 of 96

| Ref # | Part Number | Qty | S/P/F | Description                     |
|-------|-------------|-----|-------|---------------------------------|
| 1     | 3530-001    | 1   | /P    | Relay, Starter Motor - Assembly |
| 2     | 3423-020    | 2   | /P    | Screw, Cap                      |
| 3     | 3530-003    | 1   |       | CDI Unit (4x4)                  |
| 4     | 3530-004    | 1   | /P    | Coil, Ignition - Assembly       |
| 5     | 3430-007    | 1   | /P    | Cap, Spark Plug                 |
| 6     | 3430-008    | 1   | /P    | Seal, Spark Plug                |
| 7     | 3430-009    | 1   | /P    | Seal, High Tension Cord         |
| 8     | 3530-008    | 1   | S     | Relay, Neutral Start - Assembly |
| 9     | 8476-616    | 2   |       | Screw, Cap                      |
| 10    | 0630-098    | 1   |       | Fuse, 30 Amp                    |

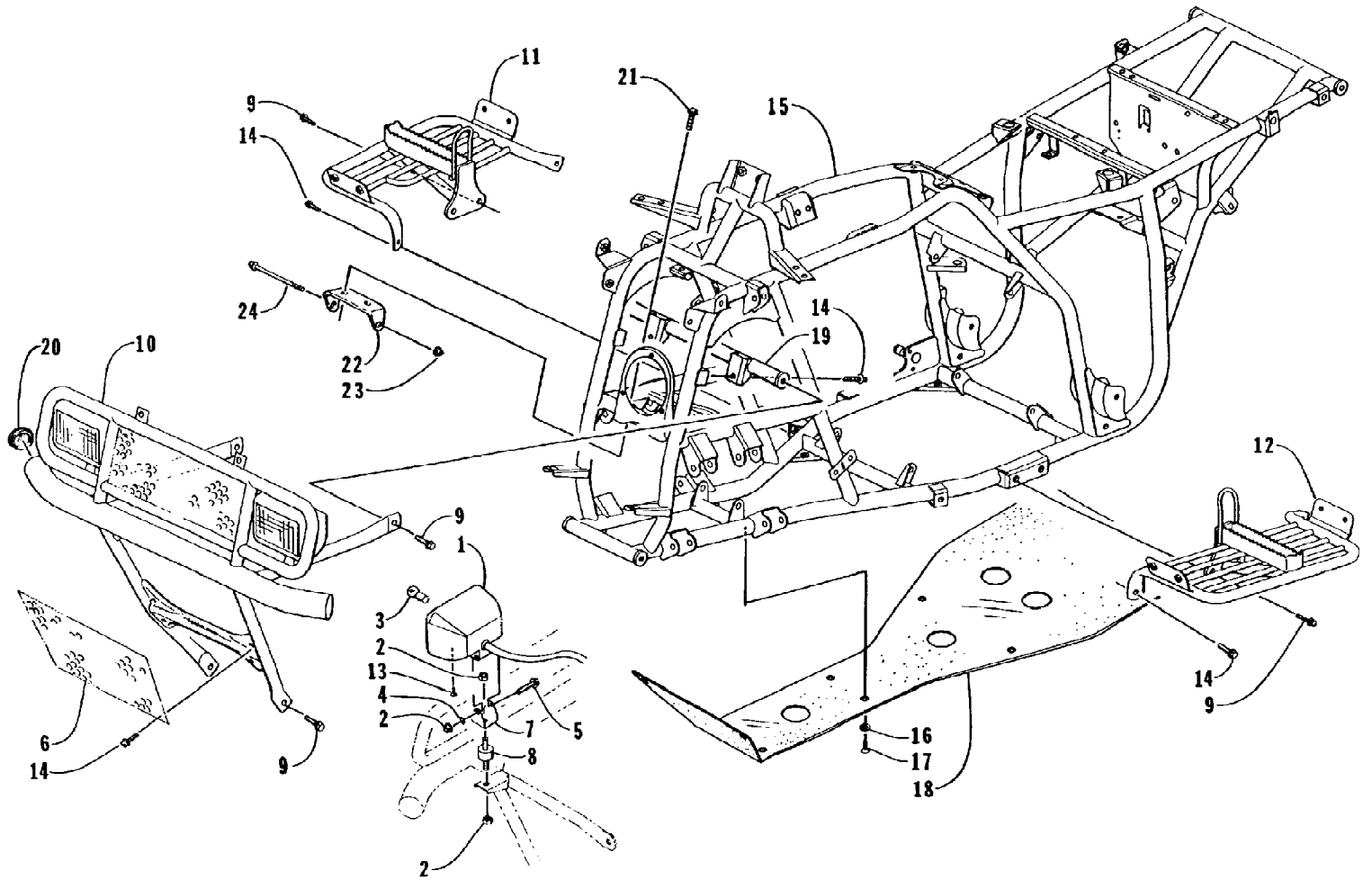




1998 ATV 454 4X4 (98A4A-1998)  
ENGINE AND EXHAUST

Page 34 of 96

| Ref # | Part Number | Qty | S/P/F | Description                 |
|-------|-------------|-----|-------|-----------------------------|
| 1     | 0512-001    | 1   |       | Pipe, Exhaust               |
| 2     | 8408-820    | 2   | /P    | Screw, Cap                  |
| 3     | 3423-003    | 2   | S     | Screw, Cap                  |
| 4     | 0423-050    | 2   |       | Washer, Engine              |
| 5     | 0423-042    | 1   | S     | Spacer, Engine              |
| 6     | 0462-006    | 1   | /P    | Engine (4x4)                |
| 7     | 8428-002    | 2   |       | Nut, Lock                   |
| 8     | 0412-007    | 1   | /P    | Seal, Exhaust               |
| 9     | 8424-802    | 2   |       | Nut                         |
| 10    | 8408-860    | 1   |       | Screw, Cap                  |
| 11    | 8408-816    | 4   |       | Screw, Cap                  |
| 12    | 0506-083    | 1   |       | Bracket, Upper Engine       |
| 13    | 0502-016    | 1   | S     | Lever, Shift                |
| 14    | 8476-620    | 1   |       | Screw, Cap                  |
| 15    | 0412-003    | 3   |       | Spacer, Exhaust             |
| 16    | 0412-004    | 3   |       | Bushing, Rubber             |
| 17    | 0412-005    | 1   | S     | Muffler                     |
| 18    | 8408-830    | 3   |       | Screw, Cap                  |
| 19    | 0406-224    | 1   |       | Cover, Exhaust              |
| 20    | 8477-610    | 4   |       | Screw, Machine              |
| 21    | 8050-252    | 3   |       | Washer                      |
| 22    | 0214-015    | 1   |       | Clamp                       |
| 23    | 8053-211    | 4   | S     | Washer, Star                |
| 24    | 8424-602    | 2   | /P    | Nut                         |
| 25    | 8476-640    | 2   |       | Screw, Cap                  |
| 26    | 0107-630    | 2   |       | Spacer                      |
| 27    | 0423-079    | 2   |       | Clamp, Hose (4x4)           |
| 28    | 0406-298    | 1   |       | Plate, Heat - Muffler (4x4) |

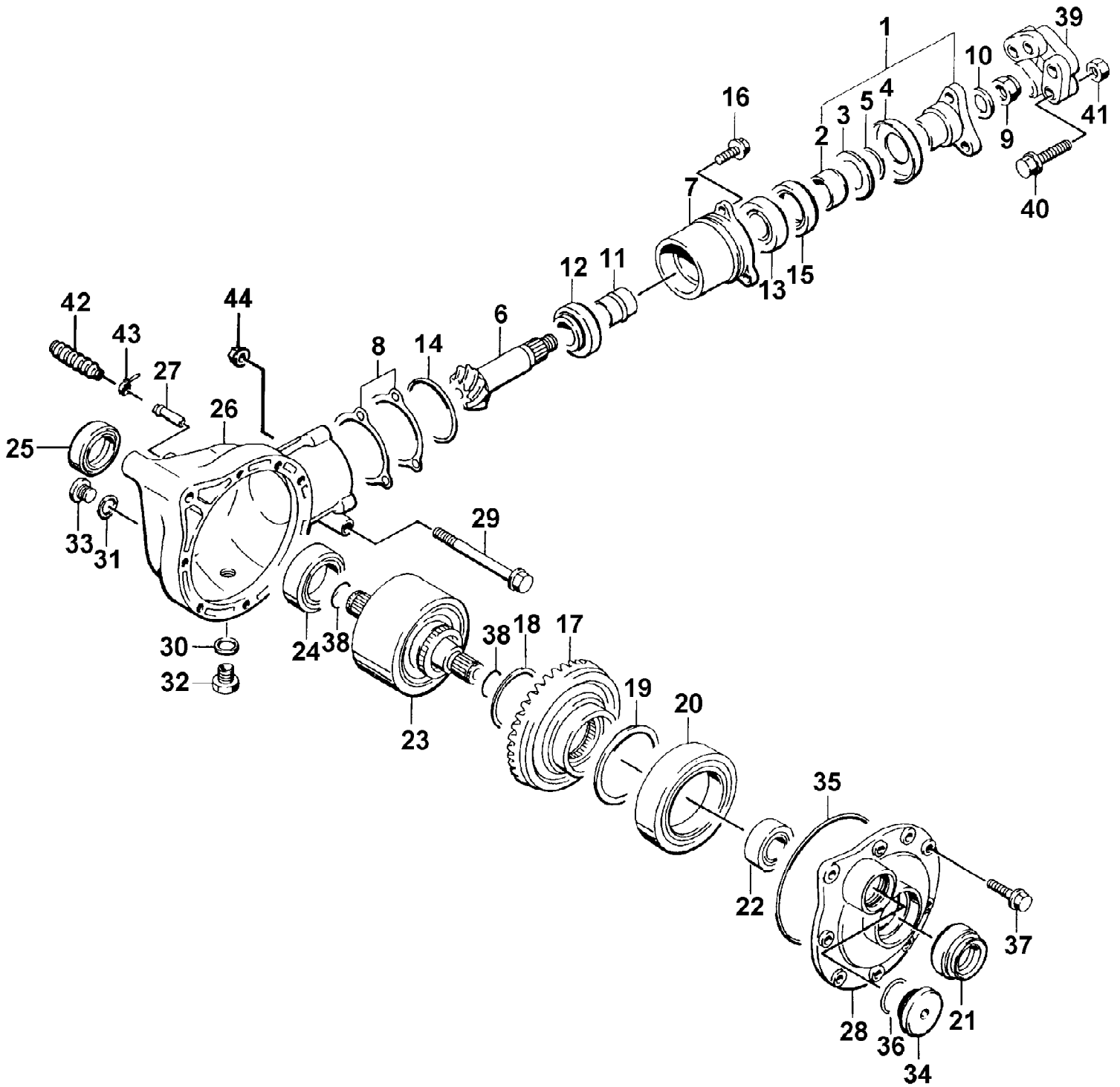


1998 ATV 454 4X4 (98A4A-1998)  
 FRAME AND RELATED PARTS

Page 36 of 96

| Ref # | Part Number | Qty | S/P/F | Description               |
|-------|-------------|-----|-------|---------------------------|
| 1     | 0409-001    | 2   |       | Headlight (inc. 3 and 13) |
| 2     | 8424-802    | 6   |       | Nut, Lock                 |
| 3     | 0409-005    | 2   |       | Bulb, Headlight           |
| 4     | 8053-242    | 2   | /P    | Washer, Lock              |
| 5     | 8408-850    | 2   |       | Screw, Cap                |
| 6     | 0406-175    | 1   |       | Screen, Bumper            |
| 7     | 0406-261    | 2   |       | Yoke, Headlight           |
| 8     | 0406-262    | 2   | S     | Mount, Headlight          |
| 9     | 8409-020    | 8   | /P    | Screw, Cap                |
| 10    | 0506-186    | 1   | S     | Bumper - Front            |
| 11    | 0506-066    | 1   |       | Footrest - Right          |
| 12    | 0506-067    | 1   |       | Footrest - Left           |
| 13    | 0123-590    | 2   |       | Screw, Machine            |
| 14    | 8408-816    | 10  |       | Screw, Cap                |
| 15    | 0506-133    | 1   |       | Frame                     |
| 16    | 0423-010    | 10  |       | Washer, Shoulder          |
| 17    | 8474-616    | 10  |       | Screw, Machine            |
| 18    | 0406-354    | 1   | /P    | Panel, Belly              |
| 19    | 0506-079    | 1   |       | Tube, Cross               |
| 20    | 0406-130    | 2   |       | Cap, Bumper               |
| 21    | 8408-820    | 2   | /P    | Screw, Cap                |
| 22    | 0506-149    | 1   |       | Bracket, Front Gear Case  |
| 23    | 8428-002    | 2   |       | Nut, Lock                 |
| 24    | 3423-010    | 2   | /P    | Screw, Cap                |

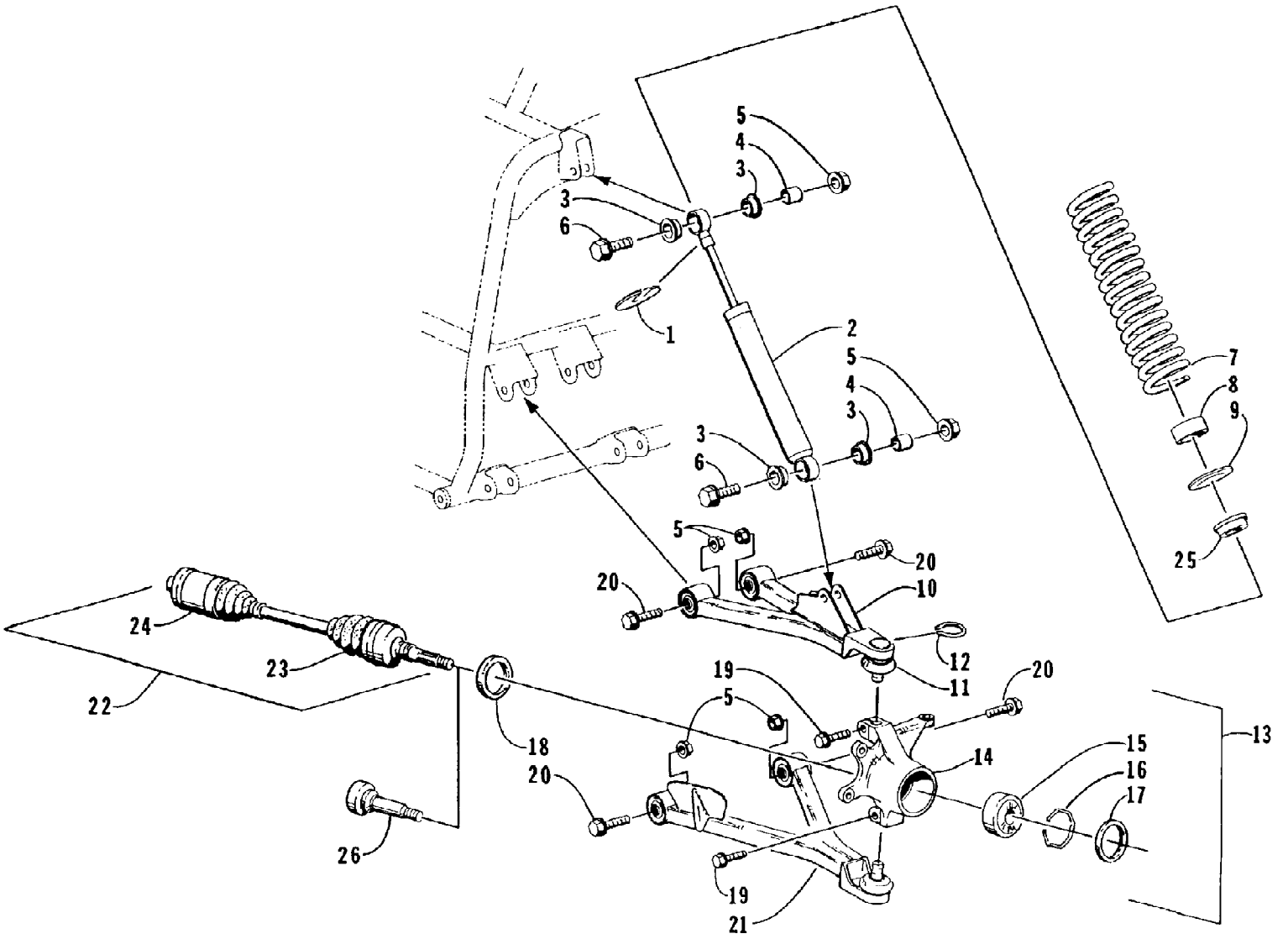
1998 ATV 454 4X4 (98A4A-1998)  
FRONT BEVEL GEAR ASSEMBLY



1998 ATV 454 4X4 (98A4A-1998)  
FRONT BEVEL GEAR ASSEMBLY

Page 38 of 96

| Ref # | Part Number | Qty | S/P/F | Description                        |
|-------|-------------|-----|-------|------------------------------------|
|       | 3402-004    | 1   | /P    | Complete Assembly                  |
| 1     | 3435-009    | 1   | S/F   | Flange, Gear (inc. 2-5)            |
| 2     | 3435-029    | 1   | F     | Collar, Gear                       |
| 3     | 3435-030    | 1   | F     | Plate, Oil Seal                    |
| 4     | 3423-034    | 1   | F     | Plate, Gear                        |
| 5     | 3423-060    | 1   |       | O-Ring, Collar                     |
| 6     | 3435-014    | 1   |       | Gear, Bevel                        |
| 7     | 3435-021    | 1   |       | Housing, Bevel Gear                |
| 8     | 3435-022    | 1   |       | Shim Set, Housing                  |
| 9     | 3423-178    | 1   | /P/F  | Nut, Gear                          |
| 10    | 3423-028    | 1   | F     | Washer, Bevel Gear                 |
| 11    | 3402-016    | 1   |       | Spacer, Bevel Gear                 |
| 12    | 3402-066    | 1   | /P    | Bearing                            |
| 13    | 3402-065    | 1   |       | Bearing                            |
| 14    | 3423-064    | 1   |       | O-Ring                             |
| 15    | 3402-072    | 1   |       | Seal, Joint                        |
| 16    | 3423-175    | 1   | S     | Bolt, Housing                      |
| 17    | 3435-018    | 1   | /P    | Gear                               |
| 18    | 3435-017    | 1   |       | Shim Set                           |
| 19    | 3435-020    | 1   |       | Shim Set                           |
| 20    | 3402-059    | 1   |       | Bearing                            |
| 21    | 3402-072    | 1   |       | Seal - Left                        |
| 22    | 3402-185    | 1   |       | Bearing - Left                     |
| 23    | 3435-013    | 1   |       | Differential - Assembly            |
| 24    | 3402-057    | 1   |       | Bearing, Differential Case - Right |
| 25    | 3402-072    | 1   |       | Seal, Output Oil                   |
| 26    | 3435-024    | 1   |       | Housing (inc. 27)                  |
| 27    | 3402-084    | 1   |       | Union, Breather                    |
| 28    | 3435-025    | 1   |       | Case, Bearing                      |
| 29    | 3423-010    | 2   | /P    | Bolt, Mounting                     |
| 30    | 3402-012    | 1   |       | Gasket, Oil Drain Plug             |
| 31    | 3402-013    | 1   | /P    | Gasket, Oil Filler Plug            |
| 32    | 3402-036    | 1   | S     | Plug, Oil Drain                    |
| 33    | 3402-041    | 1   | S     | Plug, Oil Filler                   |
| 34    | 3402-197    | 1   |       | Plug                               |
| 35    | 3423-050    | 1   |       | O-Ring                             |
| 36    | 3423-061    | 1   |       | O-Ring                             |
| 37    | 3423-175    | 8   | S     | Screw, Cap                         |
| 38    | 3423-070    | 2   |       | Ring, Driveshaft - Front           |
| 39    | 3435-007    | 1   | F     | Coupling, Propeller Shaft          |
| 40    | 3423-182    | 6   | S/F   | Screw, Cap                         |
| 41    | 3004-491    | 6   | S/P/F | Nut                                |
| 42    | 0402-147    | 1   | S/F   | Bladder, Case                      |
| 43    | 0123-811    | 1   | F     | Tie, Cable                         |
| 44    | 8428-002    | 1   |       | Nut, Lock                          |

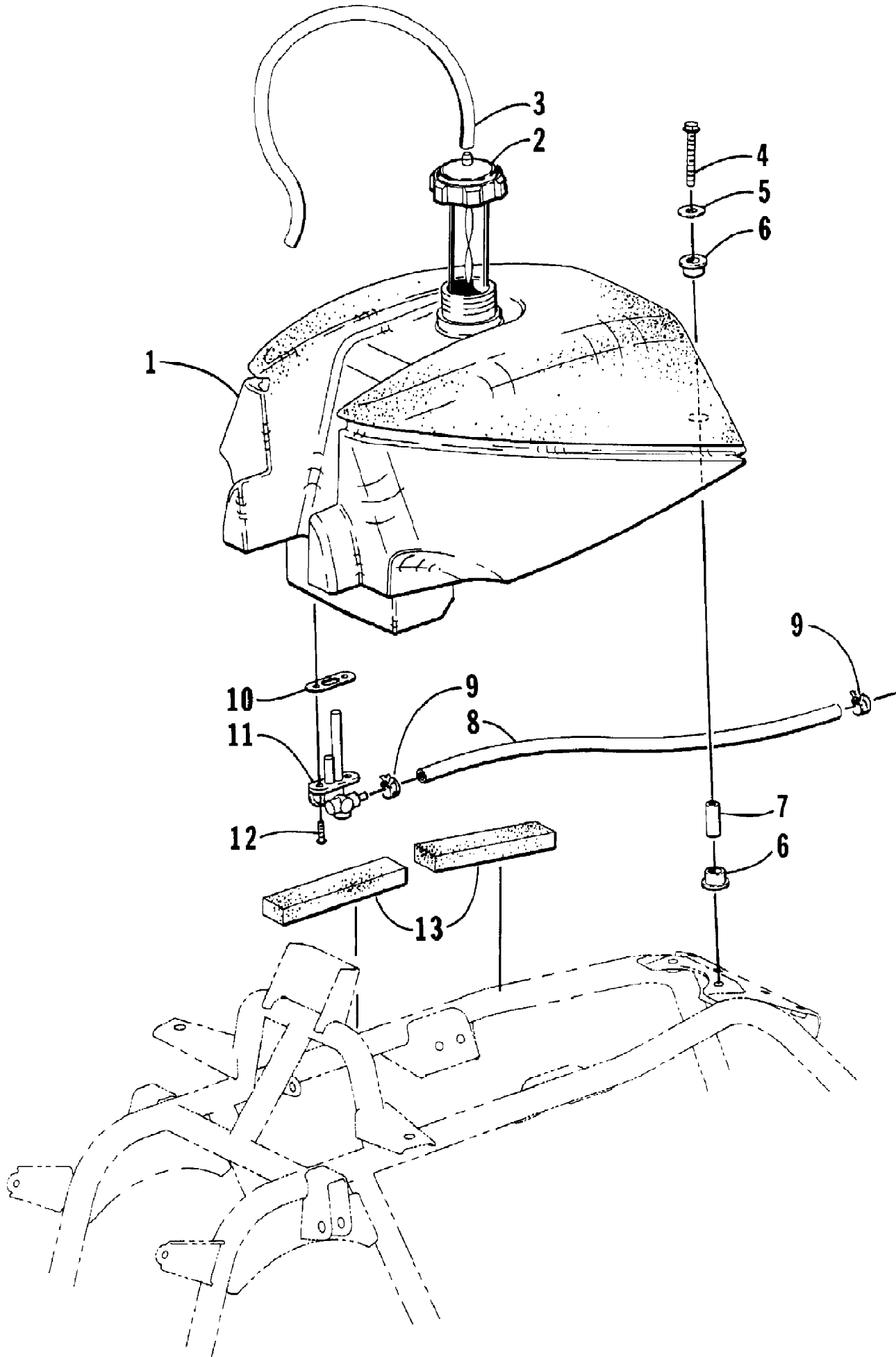


1998 ATV 454 4X4 (98A4A-1998)  
FRONT SUSPENSION ASSEMBLY

Page 40 of 96

| Ref # | Part Number | Qty | S/P/F | Description                                                  |
|-------|-------------|-----|-------|--------------------------------------------------------------|
| 1     | 0603-033    | 2   | S     | Retainer, Spring                                             |
| 2     | 0403-001    | 2   |       | Shock Absorber - Front (inc. 3-4) (4x4)                      |
| 3     | 0604-310    | 8   |       | Bushing, Shock Absorber                                      |
| 4     | 0403-028    | 4   |       | Sleeve, Shock                                                |
| 5     | 8428-002    | 12  |       | Nut, Lock                                                    |
| 6     | 8409-040    | 4   |       | Screw, Cap                                                   |
| 7     | 0403-002    | 2   |       | Spring, Shock Absorber                                       |
| 8     | 0403-025    | 2   | /P    | Collar, Spring                                               |
| 9     | 0403-013    | 2   |       | Washer, Spring                                               |
| 10    | 0503-026    | 1   | S/P   | A-Arm, Upper Right - Assembly (inc. one No. 11-12)           |
| 10    | 0503-027    | 1   | S/P   | A-Arm, Upper Left - Assembly (inc. one No. 11-12)            |
| 11    | 0405-001    | 4   | S     | Ball Joint - Front                                           |
| 12    | 0423-009    | 4   | /P    | Clip, Ball Joint                                             |
| 13    | 0505-026    | 1   | S/P   | Knuckle - Assembly - Right (inc. 14 and one No. 15-18) (4x4) |
| 13    | 0505-027    | 1   | S/P   | Knuckle - Assembly - Left (inc. 14 and one No. 15-18) (4x4)  |
| 14    | 0505-024    | 1   | S     | Knuckle, Steering - Right (4x4)                              |
| 14    | 0505-025    | 1   | S     | Knuckle, Steering - Left (4x4)                               |
| 15    | 0402-085    | 2   | S     | Bearing, Wheel Hub - Front                                   |
| 16    | 0423-034    | 2   |       | Clip, Bearing                                                |
| 17    | 0402-089    | 2   |       | Seal, Wheel Bearing - Front                                  |
| 18    | 0402-069    | 2   |       | Seal, Wheel Bearing - Front                                  |
| 19    | 8409-030    | 4   |       | Screw, Cap                                                   |
| 20    | 8409-060    | 8   |       | Screw, Cap                                                   |
| 21    | 0503-012    | 1   | S     | A-Arm, Lower Right (inc. one No. 11-12) (4x4)                |
| 21    | 0503-013    | 1   | S     | A-Arm, Lower Left (inc. one No. 11-12) (4x4)                 |
| 22    | 0402-098    | 2   | S/F   | Axle, Drive - Front (4x4)                                    |
| 22    | 0402-179    | 2   | S     | Axle, Drive - Front (4x4)                                    |
| 23    | 0436-038    | 2   | F     | Repair Kit, Outer Boot - Front Axle (4x4)                    |
| 23    | 0436-131    | 2   | S     | Repair Kit, Outer Boot - Front Axle (4x4)                    |
| 24    | 0436-037    | 2   | F     | Repair Kit, Inner Boot - Front Axle (4x4)                    |
| 24    | 0436-130    | 2   | S     | Repair Kit, Inner Boot - Front Axle (4x4)                    |
| 25    | 0403-027    | 2   |       | Retainer, Spring - Lower                                     |

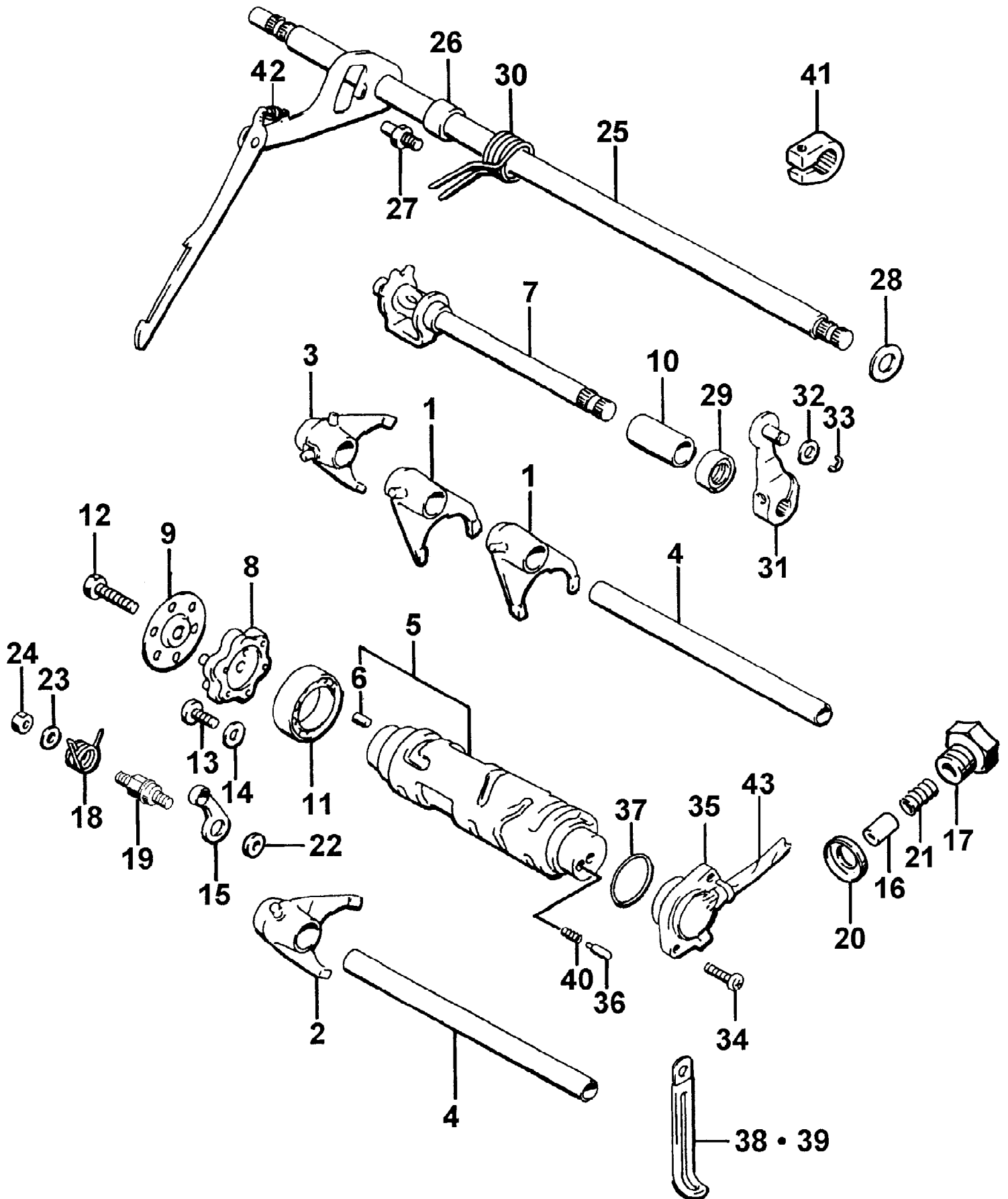




1998 ATV 454 4X4 (98A4A-1998)  
FUEL TANK ASSEMBLY

Page 42 of 96

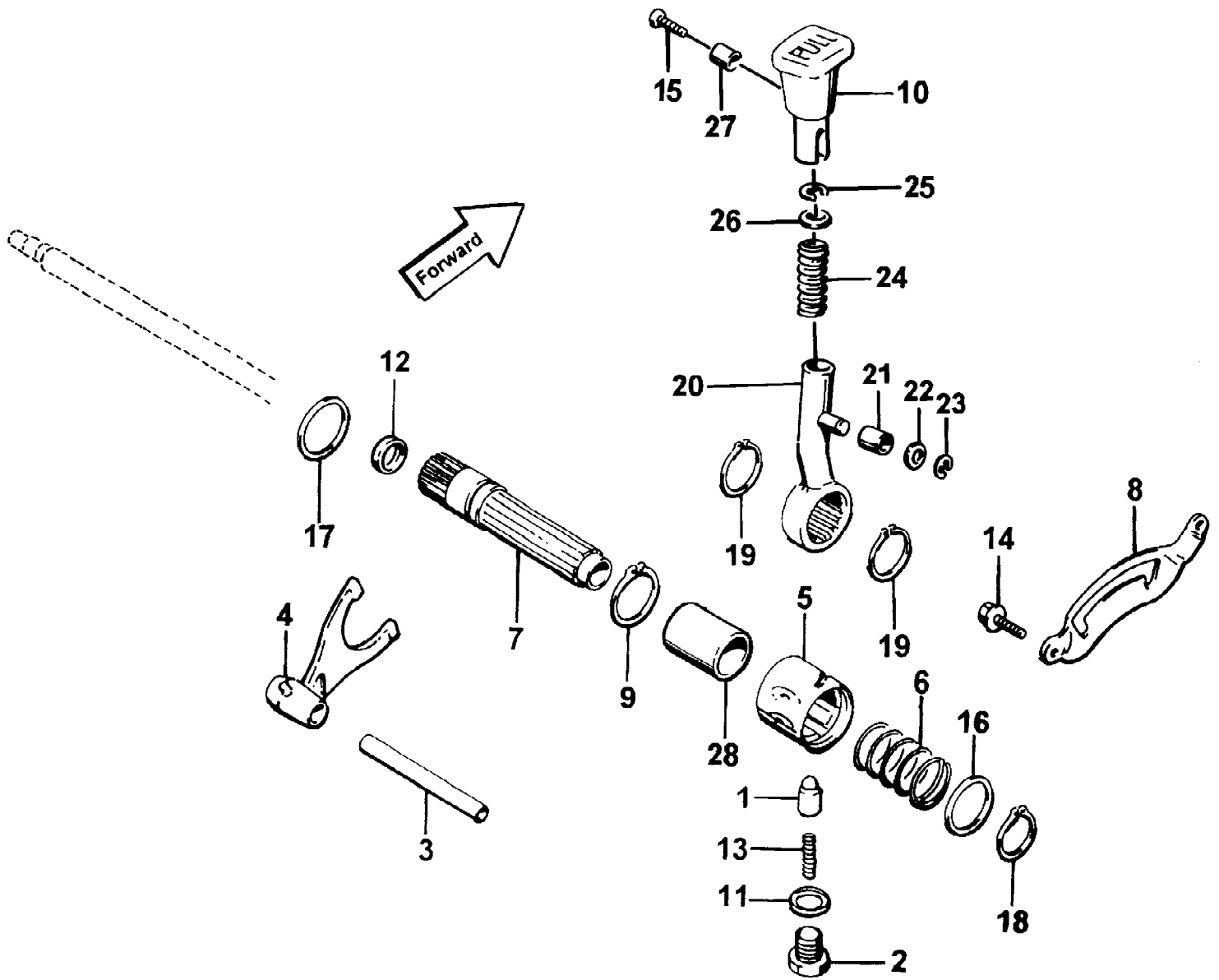
| Ref # | Part Number | Qty | S/P/F | Description                    |
|-------|-------------|-----|-------|--------------------------------|
| 1     | 0570-018    | 1   | S     | Tank, Fuel (inc. 2-3 and 8-12) |
| 2     | 0470-315    | 1   | S     | Cap, Fuel Tank (inc. 3)        |
| 3     | 0470-316    | 1   |       | Line, Fuel Cap Vent            |
| 4     | 8476-650    | 2   |       | Screw, Cap                     |
| 5     | 0623-184    | 2   |       | Washer                         |
| 6     | 0406-169    | 4   |       | Bushing, Fuel Tank Mount       |
| 7     | 0406-170    | 2   |       | Collar, Fuel Tank Mount        |
| 8     | 0610-007    | 0   | /P    | Line, Fuel                     |
| 9     | 0423-048    | 2   |       | Clamp, Hose - Spring           |
| 10    | 0           | 1   | F     | Gasket, Fuel                   |
| 11    | 0470-344    | 1   | S     | Valve, Shut-Off (inc. 10)      |
| 12    | 8471-616    | 2   |       | Screw, Cap                     |
| 13    | 0417-001    | 4   |       | Pad, Fuel Tank                 |



1998 ATV 454 4X4 (98A4A-1998)  
GEAR SHIFTING ASSEMBLY

Page 44 of 96

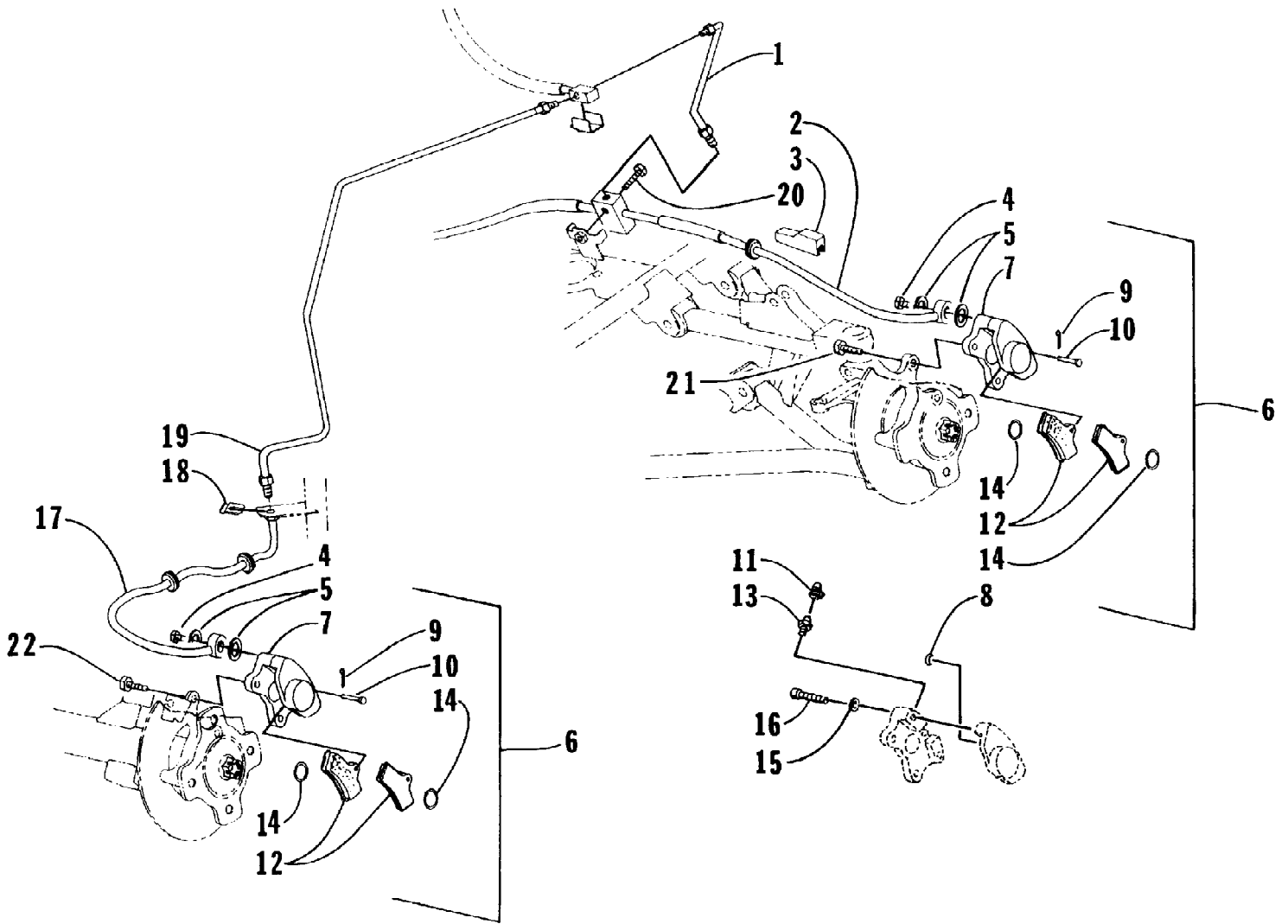
| Ref # | Part Number | Qty | S/P/F | Description                   |
|-------|-------------|-----|-------|-------------------------------|
| 1     | 3446-038    | 2   |       | Fork, (No. 2)                 |
| 2     | 3446-039    | 1   |       | Fork, (No. 3)                 |
| 3     | 3446-040    | 1   |       | Fork, Reverse                 |
| 4     | 3446-052    | 2   |       | Shaft, Gear Shift Fork        |
| 5     | 3446-041    | 1   |       | Cam, Gear Shift (inc. 6)      |
| 6     | 3423-114    | 1   | /P    | Pin, Gear Shift               |
| 7     | 3446-042    | 1   |       | Cam, Reverse Shift            |
| 8     | 3446-049    | 1   |       | Plate, Gear Shift Cam         |
| 9     | 3446-050    | 1   | S     | Guide, Gear Shift Cam Plate   |
| 10    | 3402-014    | 1   |       | Spacer, Reverse Shift Cam     |
| 11    | 3402-051    | 1   |       | Bearing, Gear Shift Cam       |
| 12    | 3423-125    | 1   | S     | Bolt, Clutch Release Arm      |
| 13    | 3004-552    | 2   | S     | Screw, Cam Bearing Retainer   |
| 14    | 3423-135    | 2   |       | Retainer, Bearing             |
| 15    | 3446-043    | 1   |       | Stopper, Gear Shift Cam       |
| 16    | 3446-117    | 1   |       | Stopper, Reverse Shift Cam    |
| 17    | 3446-046    | 1   |       | Housing, Reverse Cam Stopper  |
| 18    | 3446-047    | 1   |       | Spring, Shift Cam Stopper Arm |
| 19    | 3446-048    | 1   |       | Support, Shift Cam Stopper    |
| 20    | 3402-012    | 1   |       | Gasket, Cam Stopper Housing   |
| 21    | 3402-088    | 1   |       | Spring, Reverse Cam Stopper   |
| 22    | 3423-141    | 1   |       | Washer, Gear Shift Cam        |
| 23    | 3423-142    | 1   |       | Washer, Cam Stopper Arm       |
| 24    | 3004-488    | 1   | S/P   | Nut, Cam Stopper Arm Support  |
| 25    | 3446-053    | 1   | S     | Shaft, Gear Shift             |
| 26    | 3446-054    | 1   |       | Spacer, Gear Shift Shaft      |
| 27    | 3446-056    | 1   |       | Stopper, Gear Shift Arm       |
| 28    | 3402-068    | 1   | /P    | Seal, Gear Shift Shaft Oil    |
| 29    | 3402-076    | 1   |       | Seal, Reverse Shift Oil       |
| 30    | 3402-094    | 1   |       | Spring, Gear Shift Return     |
| 31    | 3446-055    | 1   |       | Arm, Reverse Gear Shift       |
| 32    | 3423-204    | 1   | /P    | Washer, Gear Shift Cable Arm  |
| 33    | 3423-168    | 1   | S     | E-Ring, Gear Shift Cable Arm  |
| 34    | 3423-166    | 2   | S     | Screw, Cap                    |
| 35    | 3530-007    | 1   | S     | Base Assembly (4x4)           |
| 36    | 3423-044    | 1   |       | Contact, Neutral              |
| 37    | 3423-059    | 1   |       | O-Ring, Neutral               |
| 38    | 3004-787    | 1   |       | Clamp                         |
| 39    | 3004-761    | 1   |       | Clamp                         |
| 40    | 3402-087    | 1   |       | Spring                        |
| 41    | 3402-008    | 1   | /P    | Hub, Gear Shift               |
| 42    | 3402-093    | 1   |       | Spring, Gear Shift            |
| 43    | 0706-990    | 0   | /P    | Tape, Foil                    |



1998 ATV 454 4X4 (98A4A-1998)  
HI/LO SHIFTER ASSEMBLY

Page 46 of 96

| Ref # | Part Number | Qty | S/P/F | Description                          |
|-------|-------------|-----|-------|--------------------------------------|
| 1     | 3446-119    | 1   | /P    | Stopper, Shift Cam                   |
| 2     | 3446-046    | 1   |       | Housing, Shift Stop                  |
| 3     | 3446-051    | 1   |       | Shaft, Fork                          |
| 4     | 3446-073    | 1   |       | Fork, Shift                          |
| 5     | 3446-074    | 1   |       | Cam, Shift                           |
| 6     | 3446-075    | 1   |       | Spring                               |
| 7     | 3446-076    | 1   |       | Shaft, Shift                         |
| 8     | 3446-077    | 1   |       | Plate, Lever Stop                    |
| 9     | 3423-193    | 1   | S/P   | Circlip, Shaft - Left                |
| 10    | 3446-078    | 1   |       | Knob                                 |
| 11    | 3402-012    | 1   |       | Gasket, Cam Stop                     |
| 12    | 3402-071    | 1   | /P    | Seal, Oil                            |
| 13    | 3446-113    | 1   |       | Spring                               |
| 14    | 3004-377    | 2   | S/P   | Bolt, Stopper Plate                  |
| 15    | 3423-156    | 1   | S     | Screw, Shift Knob                    |
| 16    | 3423-157    | 1   |       | Washer, Cam Stop                     |
| 17    | 3423-158    | 1   | /P    | Washer, Shaft - Left                 |
| 18    | 3423-191    | 1   | /P    | Circlip, Cam Spring                  |
| 19    | 3423-192    | 2   | /P    | Circlip, Shift Lever                 |
| 20    | 3446-079    | 1   | S     | Lever, Shift - Assembly (inc. 21-26) |
| 21    | 3446-106    | 1   |       | Collar                               |
| 22    | 3423-152    | 1   | /P    | Washer                               |
| 23    | 3423-153    | 1   |       | E-Clip                               |
| 24    | 3402-091    | 1   |       | Spring                               |
| 25    | 3423-154    | 1   |       | Circlip                              |
| 26    | 3423-155    | 1   |       | Washer                               |
| 27    | 3402-191    | 1   |       | Spacer                               |
| 28    | 3446-112    | 1   | /P    | Spacer Set                           |



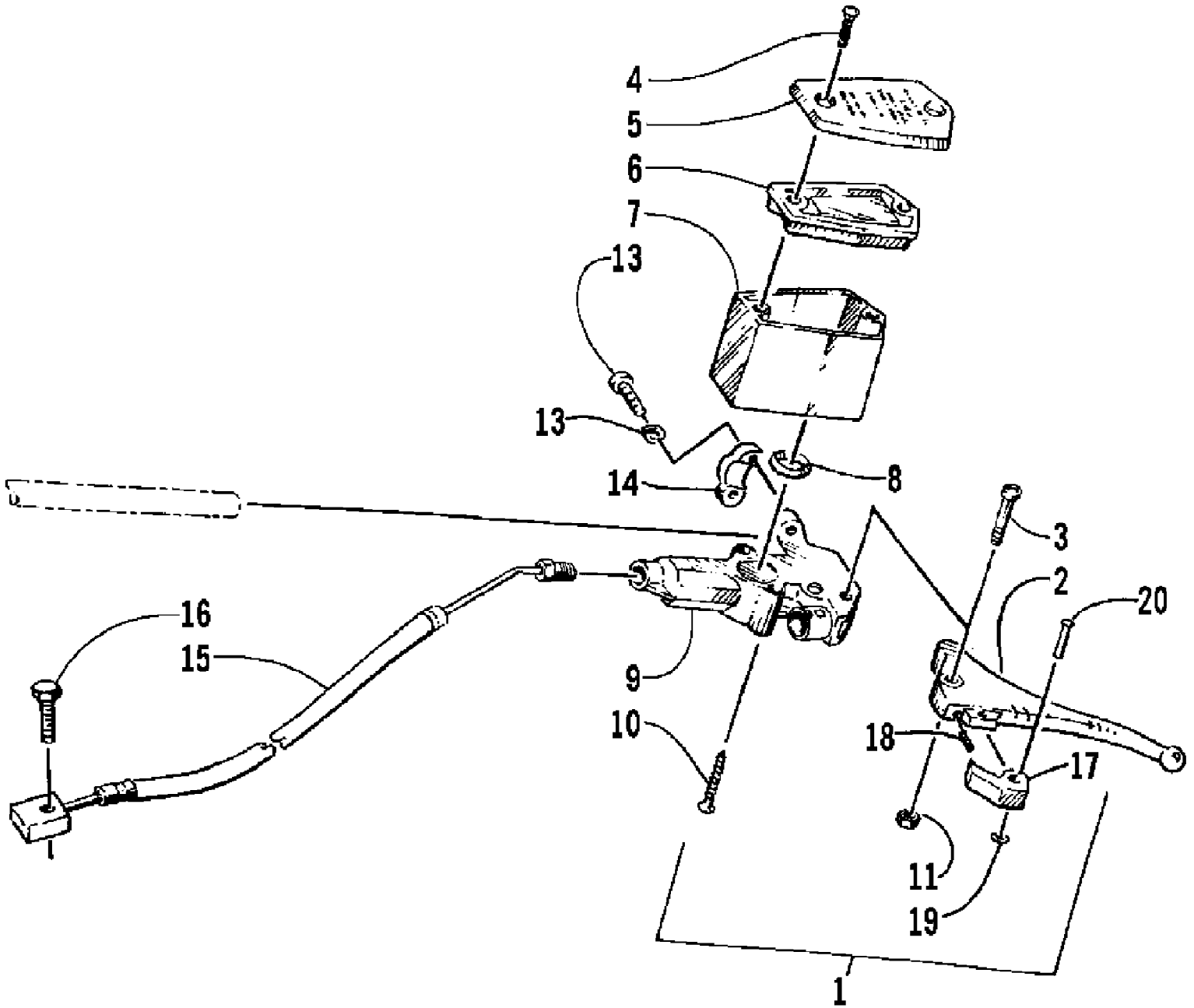
1998 ATV 454 4X4 (98A4A-1998)  
HYDRAULIC BRAKE ASSEMBLY

Page 48 of 96

| Ref # | Part Number | Qty | S/P/F | Description                                                         |
|-------|-------------|-----|-------|---------------------------------------------------------------------|
| 1     | 0402-053    | 1   |       | Tube, Brake Line - Front                                            |
| 2     | 0402-051    | 1   | S     | Hose, Brake - Front                                                 |
| 3     | 0402-073    | 2   |       | Block, Mounting                                                     |
| 4     | 0423-038    | 3   | S     | Bolt, Oil                                                           |
| 5     | 0423-039    | 6   |       | Washer, Crush                                                       |
| 6     | 0402-010    | 2   | /P    | Caliper, Brake - Right, Front (inc. 7-13 and two No. 14-16)         |
| 6     | 0402-011    | 1   | /P    | Caliper, Brake - Left, Front and Rear (inc. 7-13 and two No. 14-16) |
| 7     | 0           | 3   | F     | Housing, Caliper                                                    |
| 8     | 0402-164    | 3   |       | O-Ring                                                              |
| 9     | 0117-868    | 3   |       | Pin, Cotter                                                         |
| 10    | 0402-142    | 3   |       | Pin, Hydraulic Brake Caliper                                        |
| 11    | 0402-143    | 3   |       | Cap, Bleeder Valve                                                  |
| 12    | 0402-096    | 6   | S     | Pad, Hydraulic Brake                                                |
| 13    | 0402-167    | 3   |       | Valve, Bleeder                                                      |
| 14    | 0402-141    | 6   |       | O-Ring, Hydraulic Brake Caliper                                     |
| 15    | 0402-165    | 6   |       | Washer                                                              |
| 16    | 0402-166    | 6   | S     | Screw, Socket Head                                                  |
| 17    | 0402-184    | 1   |       | Hose, Brake - Rear                                                  |
| 18    | 0402-115    | 1   | S     | Clip, Brake Line                                                    |
| 19    | 0402-054    | 1   |       | Tube, Brake Line - Rear                                             |
| 20    | 8476-625    | 1   |       | Screw, Cap                                                          |
| 21    | 8408-825    | 4   |       | Screw, Cap                                                          |
| 22    | 8408-820    | 2   | /P    | Screw, Cap                                                          |

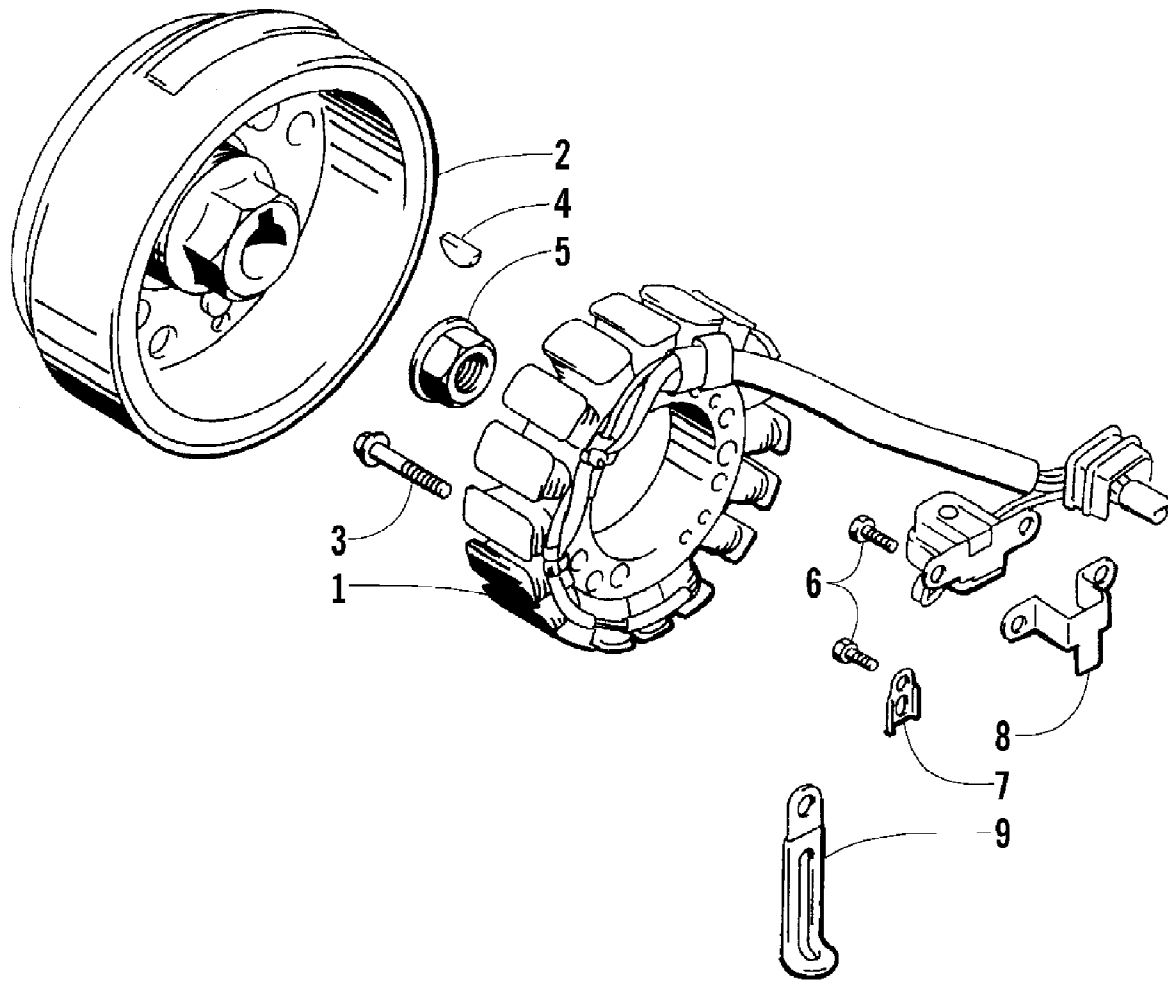


1998 ATV 454 4X4 (98A4A-1998)  
HYDRAULIC BRAKE CONTROL ASSEMBLY



1998 ATV 454 4X4 (98A4A-1998)  
HYDRAULIC BRAKE CONTROL ASSEMBLY

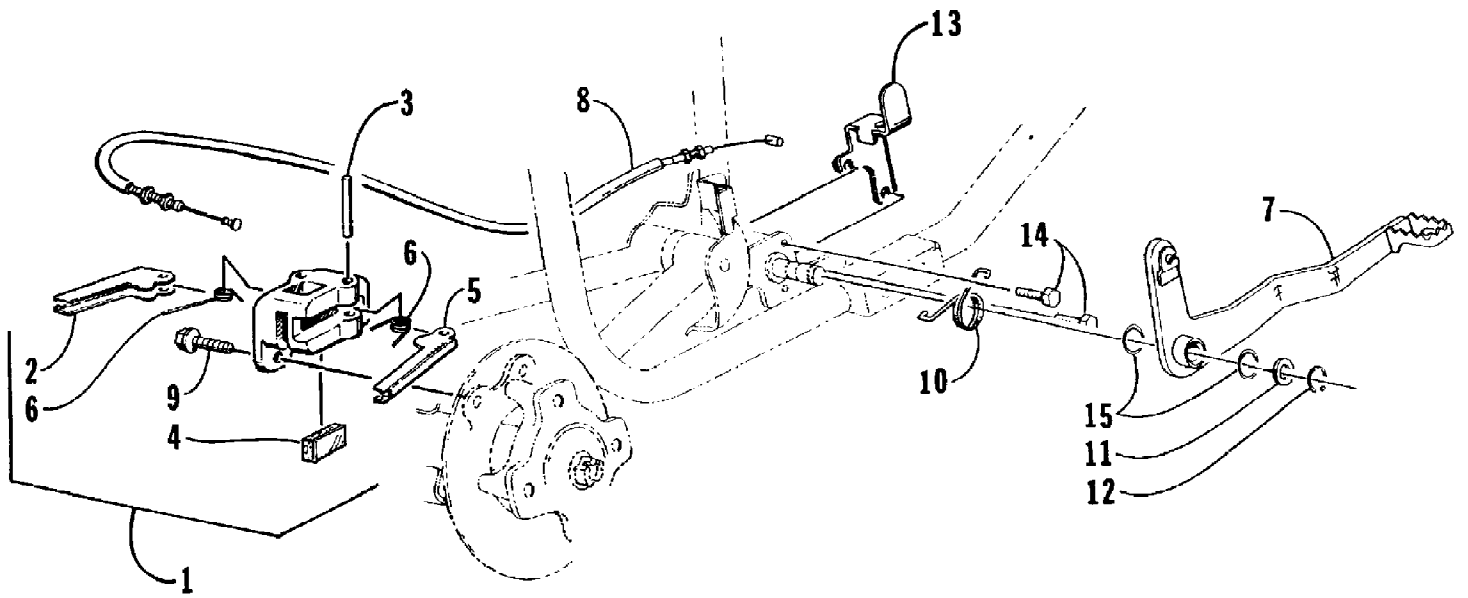
| Ref # | Part Number | Qty | S/P/F | Description                                   |
|-------|-------------|-----|-------|-----------------------------------------------|
| 1     | 0502-061    | 1   | S     | Brake, Lever - Assembly (inc. 2-14 and 17-20) |
| 2     | 0402-242    | 1   | S     | Lever, Brake                                  |
| 3     | 0623-430    | 1   | /P    | Bolt, Lever Mounting                          |
| 4     | 0623-506    | 2   |       | Screw, Cover - Master Cylinder                |
| 5     | 0602-742    | 1   |       | Cover, Master Cylinder                        |
| 6     | 0602-741    | 1   |       | Gasket, Cover - Master Cylinder               |
| 7     | 0602-740    | 1   |       | Reservoir, Hydraulic Brake                    |
| 8     | 0602-587    | 1   |       | O-Ring, Reservoir                             |
| 9     | 0           | 1   | F     | Master Cylinder                               |
| 10    | 0623-432    | 2   |       | Screw, Reservoir Mount                        |
| 11    | 0623-056    | 1   |       | Nut, Lock                                     |
| 12    | 8052-212    | 2   |       | Washer, Lock                                  |
| 13    | 0623-629    | 2   | S     | Screw, Clamp                                  |
| 14    | 0602-907    | 1   |       | Clamp                                         |
| 15    | 0402-050    | 1   | S     | Hose, Master Cylinder                         |
| 16    | 8476-625    | 1   |       | Screw, Cap                                    |
| 17    | 0402-240    | 1   | S     | Wedge, Parking Brake                          |
| 18    | 0402-245    | 1   |       | Spring                                        |
| 19    | 0423-090    | 1   |       | Nut, Press                                    |
| 20    | 0402-246    | 1   |       | Pin                                           |



1998 ATV 454 4X4 (98A4A-1998)  
MAGNETO ASSEMBLY

Page 52 of 96

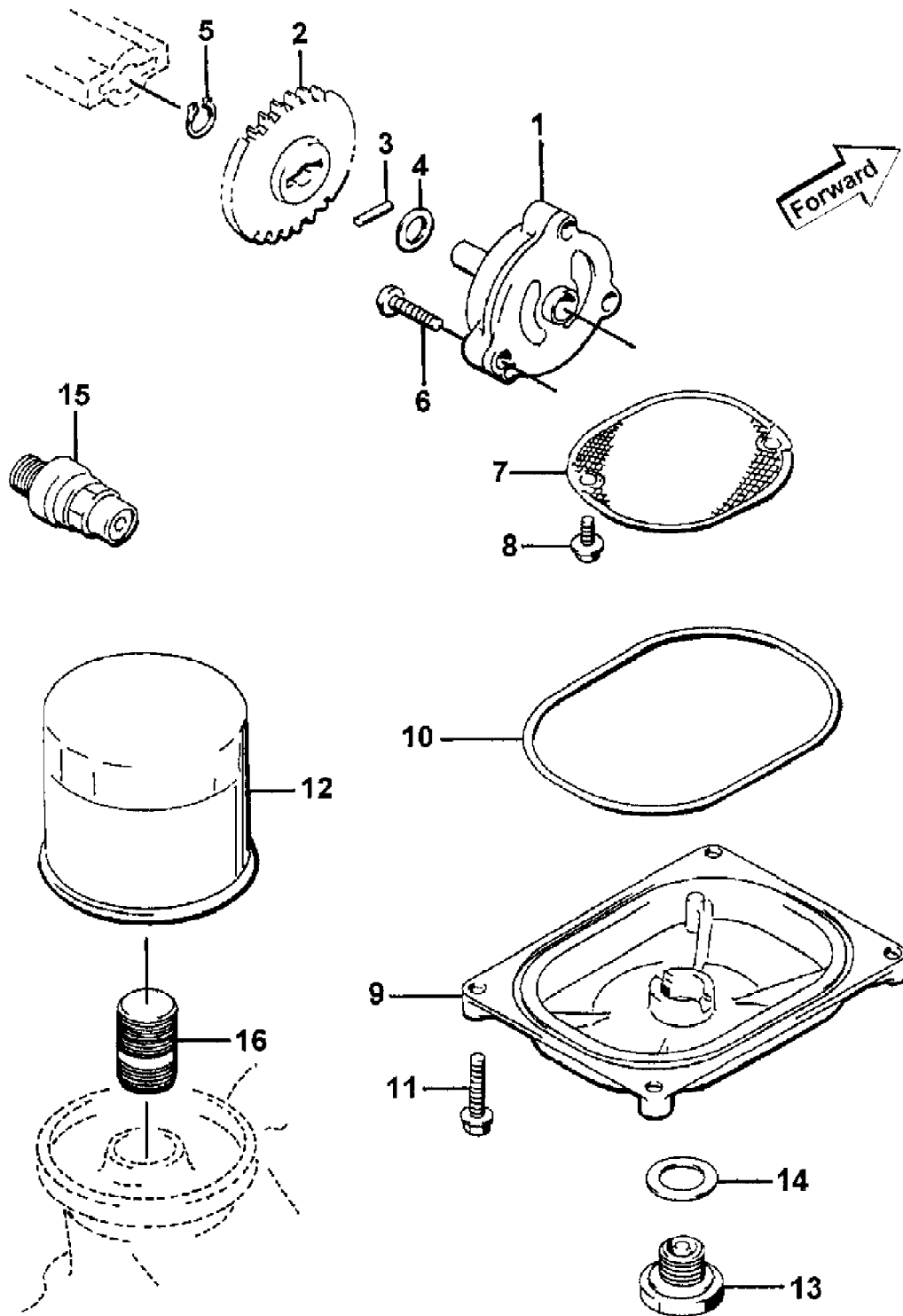
| Ref # | Part Number | Qty | S/P/F | Description            |
|-------|-------------|-----|-------|------------------------|
| 1     | 3430-011    | 1   | /P    | Stator - Assembly      |
| 2     | 3430-012    | 1   |       | Rotor                  |
| 3     | 3423-162    | 3   | S     | Bolt, Magneto          |
| 4     | 0691-785    | 1   |       | Key, Magneto           |
| 5     | 3423-086    | 1   |       | Nut, Magneto           |
| 6     | 3423-005    | 3   | /P    | Screw, Cap             |
| 7     | 3430-005    | 1   |       | Clamp, Magneto (No. 1) |
| 8     | 3430-006    | 1   |       | Clamp, Magneto (No. 2) |



1998 ATV 454 4X4 (98A4A-1998)  
MECHANICAL BRAKE ASSEMBLY

Page 54 of 96

| Ref # | Part Number | Qty | S/P/F | Description                          |
|-------|-------------|-----|-------|--------------------------------------|
| 1     | 0502-048    | 1   | S     | Mechanical Brake Assembly (inc. 2-6) |
| 2     | 0402-206    | 1   |       | Arm, Inner                           |
| 3     | 0402-208    | 2   |       | Pin, Arm                             |
| 4     | 0402-210    | 2   | S     | Pad, Mechanical Brake                |
| 5     | 0402-207    | 1   |       | Arm, Outer                           |
| 6     | 0402-209    | 2   |       | Spring, Arm                          |
| 7     | 0502-024    | 1   | S     | Lever, Foot Brake                    |
| 8     | 0487-006    | 1   |       | Cable, Brake - Rear                  |
| 9     | 8408-820    | 2   | /P    | Screw, Cap                           |
| 10    | 0402-161    | 1   | S/P   | Spring, Foot Brake                   |
| 11    | 0423-027    | 1   |       | Washer, Brake Lever                  |
| 12    | 0623-237    | 1   | /P    | Ring, Snap                           |
| 13    | 0502-056    | 1   |       | Bracket, Brake Switch                |
| 14    | 8476-616    | 2   |       | Screw, Cap                           |
| 15    | 0670-183    | 2   |       | O-Ring                               |

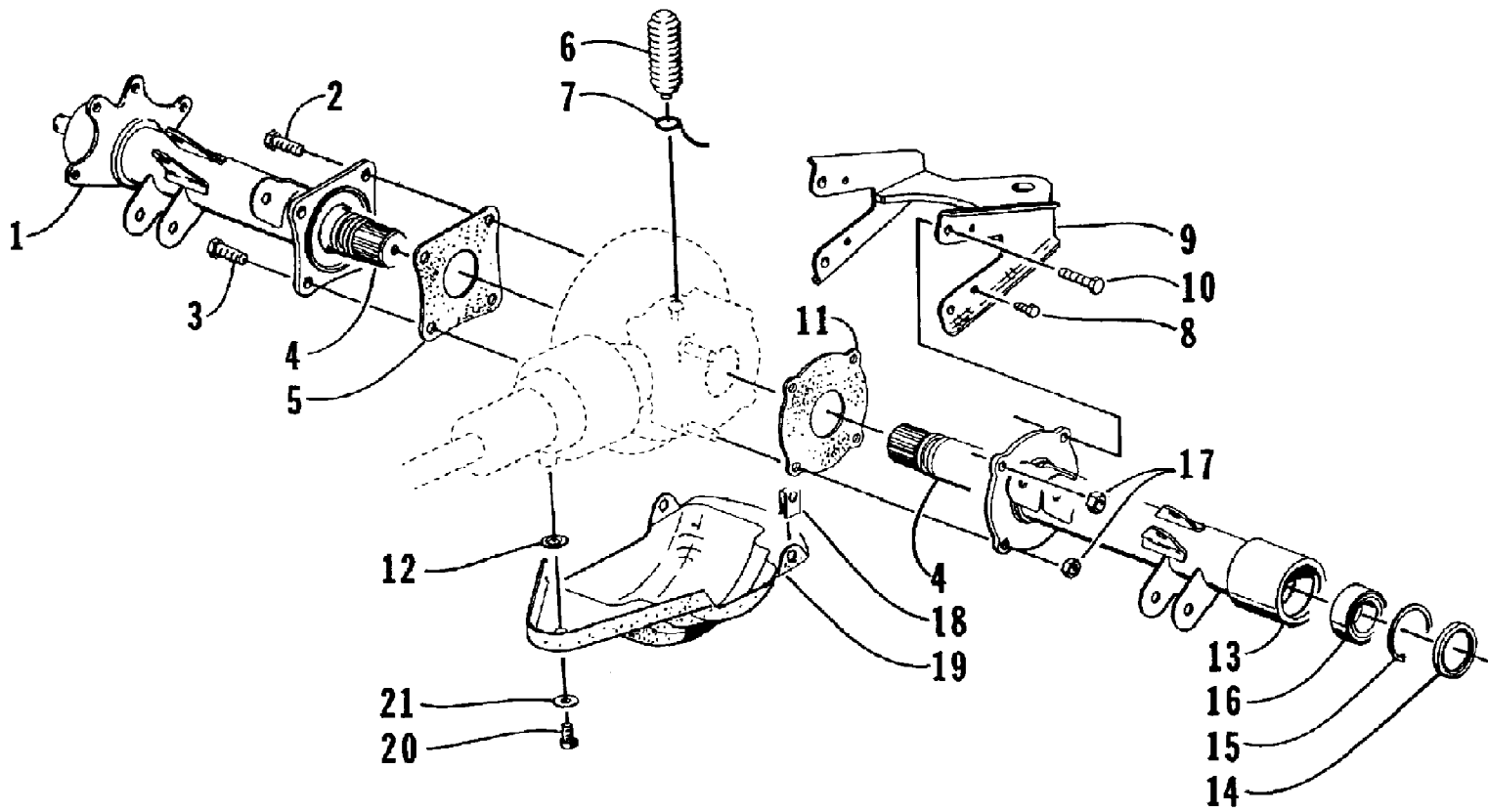


1998 ATV 454 4X4 (98A4A-1998)  
OIL FILTER/PUMP ASSEMBLY

Page 56 of 96

| Ref # | Part Number | Qty | S/P/F | Description                  |
|-------|-------------|-----|-------|------------------------------|
| 1     | 3402-153    | 1   |       | Pump, Engine Oil             |
| 2     | 3402-026    | 1   |       | Gear, Driven                 |
| 3     | 3423-046    | 1   |       | Pin                          |
| 4     | 3423-115    | 1   |       | Washer                       |
| 5     | 3423-184    | 1   | S     | Circlip                      |
| 6     | 3423-113    | 3   | S/P   | Screw, Cap                   |
| 7     | 3402-156    | 1   |       | Strainer, Engine Oil         |
| 8     | 0693-389    | 2   | S     | Screw, Cap                   |
| 9     | 3402-157    | 1   |       | Cap, Oil Strainer            |
| 10    | 3423-077    | 1   |       | O-Ring                       |
| 11    | 3004-756    | 4   | S     | Screw, Cap                   |
| 12    | 0436-001    | 1   | S     | Filter, Engine Oil           |
| 13    | 3402-036    | 1   | S     | Plug, Drain                  |
| 14    | 3402-012    | 1   |       | Gasket                       |
| 15    | 3402-154    | 1   |       | Valve, Oil Relief - Assembly |
| 16    | 3402-158    | 1   | S     | Union, Oil Filter            |

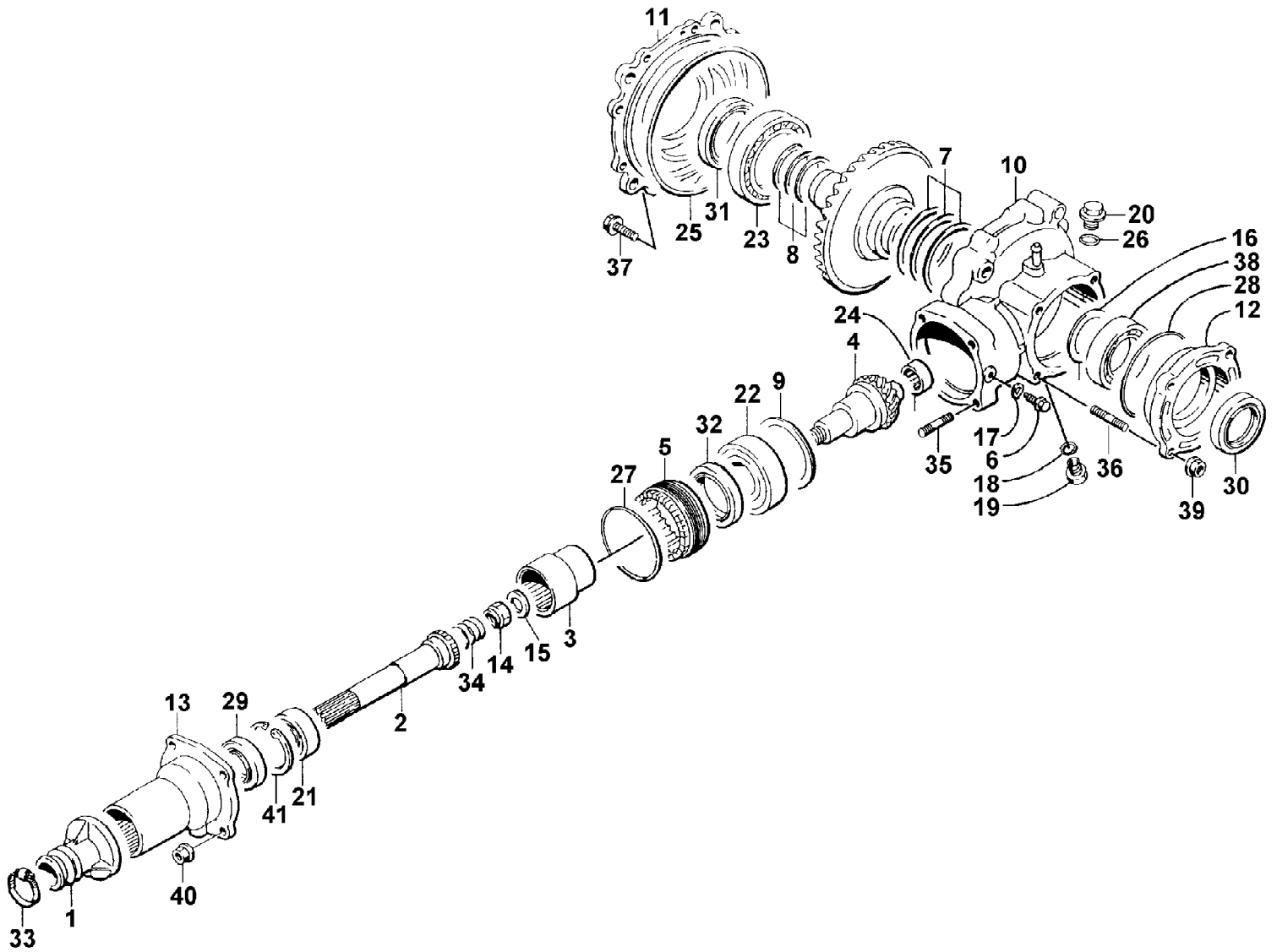




1998 ATV 454 4X4 (98A4A-1998)  
 REAR AXLE ASSEMBLY

Page 58 of 96

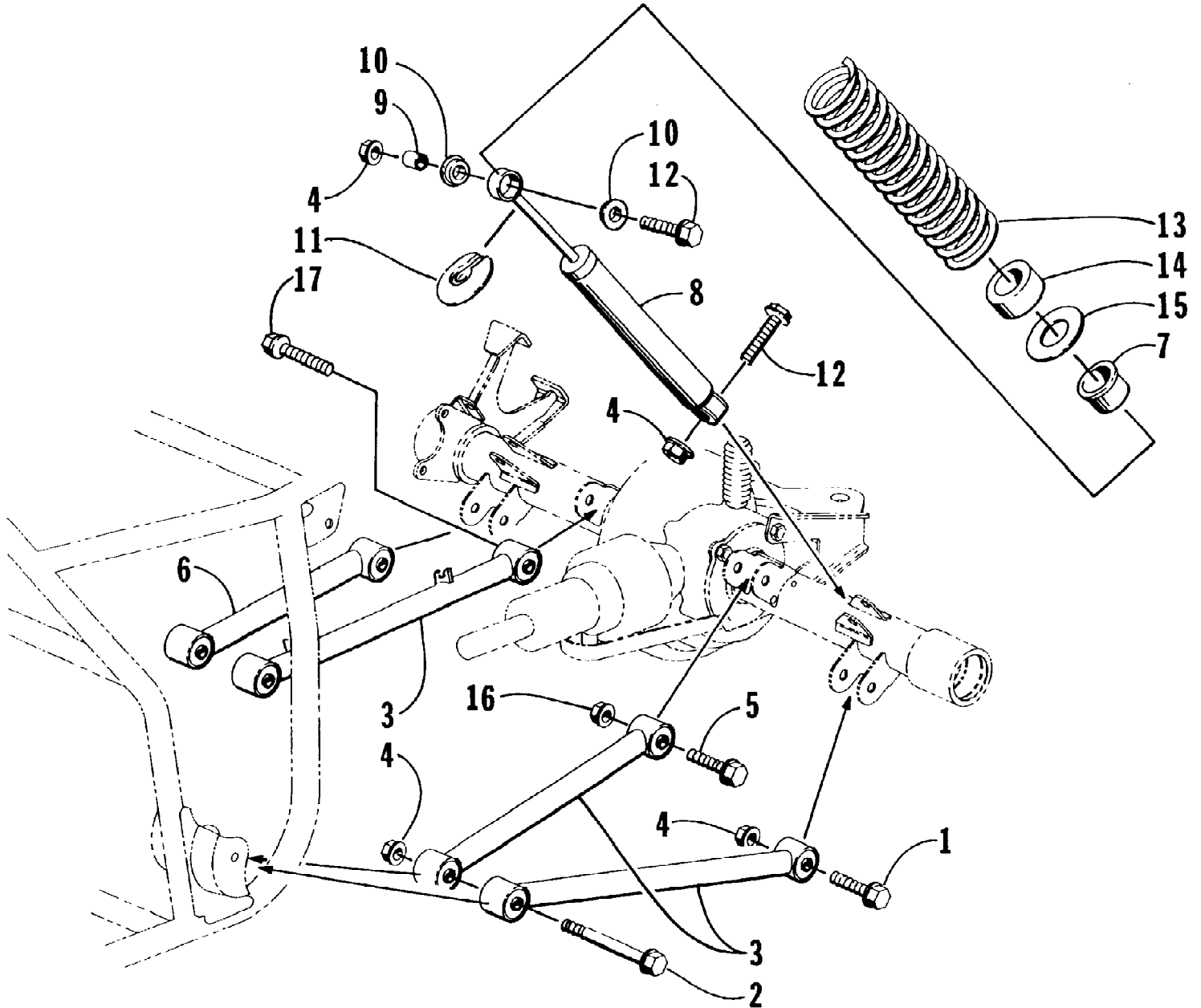
| Ref # | Part Number | Qty | S/P/F | Description                |
|-------|-------------|-----|-------|----------------------------|
| 1     | 0502-050    | 1   | S     | Housing, Axle - Rear Right |
| 2     | 8409-030    | 2   |       | Screw, Cap                 |
| 3     | 8409-025    | 1   |       | Screw, Cap                 |
| 4     | 0402-191    | 2   |       | Axle - Rear                |
| 5     | 0402-139    | 1   |       | Gasket, Rear Axle          |
| 6     | 0402-147    | 1   | S     | Bladder, Case              |
| 7     | 0123-811    | 1   |       | Tie, Cable                 |
| 8     | 8476-616    | 2   |       | Screw, Cap                 |
| 9     | 0506-135    | 1   |       | Hitch, Trailer             |
| 10    | 8408-840    | 2   |       | Screw, Cap                 |
| 11    | 0402-138    | 1   |       | Gasket, Rear Axle          |
| 12    | 0423-010    | 1   |       | Washer, Shoulder           |
| 13    | 0502-005    | 1   | S     | Housing, Axle - Rear Left  |
| 14    | 0402-068    | 2   |       | Seal                       |
| 15    | 0423-033    | 2   |       | C-Clip                     |
| 16    | 0402-003    | 2   |       | Bearing, Wheel Hub - Rear  |
| 17    | 8424-802    | 2   |       | Nut                        |
| 18    | 0423-031    | 2   |       | Nut, Speed                 |
| 19    | 0406-097    | 1   |       | Panel, Gear Case - Rear    |
| 20    | 8408-820    | 1   | /P    | Screw, Cap                 |
| 21    | 8050-252    | 1   |       | Washer                     |



1998 ATV 454 4X4 (98A4A-1998)  
 REAR BEVEL GEAR ASSEMBLY

Page 60 of 96

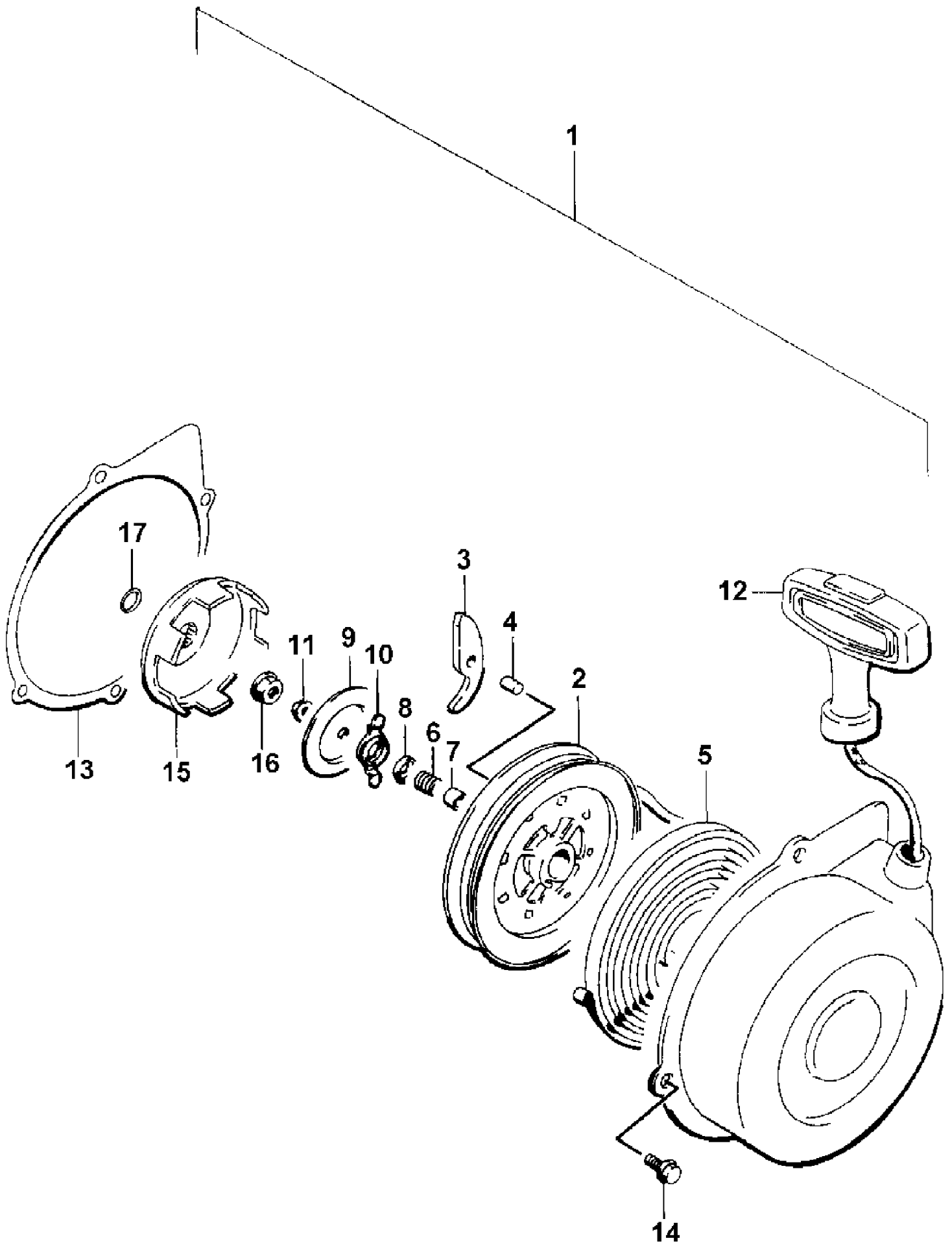
| Ref # | Part Number | Qty | S/P/F | Description                   |
|-------|-------------|-----|-------|-------------------------------|
|       | 3402-005    | 1   |       | Complete Assembly             |
| 1     | 3435-051    | 1   |       | Boot, Final Drive             |
| 2     | 3435-006    | 1   | S     | Shaft, Rear Final             |
| 3     | 3435-008    | 1   | S     | Coupling, Rear                |
| 4     | 3435-012    | 1   | S     | Gear Set                      |
| 5     | 3435-015    | 1   |       | Stopper, Rear Final           |
| 6     | 3435-016    | 1   |       | Pin, Bearing Stopper          |
| 7     | 3435-019    | 1   | /P    | Shim Set                      |
| 8     | 3435-020    | 1   |       | Shim Set                      |
| 9     | 3436-065    | 1   |       | Shim Set (4x4)                |
| 10    | 3435-023    | 1   |       | Case                          |
| 11    | 3435-026    | 1   | S     | Case - Right                  |
| 12    | 3435-027    | 1   |       | Case - Left                   |
| 13    | 3435-028    | 1   |       | Housing                       |
| 14    | 3423-025    | 1   |       | Nut, Rear Drive Pinion        |
| 15    | 3423-029    | 1   |       | Washer, Drive Nut             |
| 16    | 3423-171    | 1   |       | Washer - Left                 |
| 17    | 3003-290    | 1   | /P    | Gasket, Bearing Stopper Pin   |
| 18    | 3402-012    | 1   |       | Gasket, Oil Drain Plug        |
| 19    | 3402-036    | 1   | S     | Plug, Oil Drain               |
| 20    | 3402-039    | 1   |       | Plug, Gear Oil Filler         |
| 21    | 3402-052    | 1   |       | Bearing                       |
| 22    | 3402-056    | 1   | S     | Bearing                       |
| 23    | 3402-059    | 1   |       | Bearing - Right               |
| 24    | 3402-061    | 1   |       | Bearing, Final Drive Pilot    |
| 25    | 3423-173    | 1   | /P    | O-Ring, Bearing Case - Right  |
| 26    | 3423-057    | 1   | /P    | O-Ring, Gear Oil Filler       |
| 27    | 3423-065    | 1   |       | O-Ring, Final Bearing Stopper |
| 28    | 3003-335    | 1   | /P    | O-Ring, Bearing Case - Left   |
| 29    | 3435-048    | 1   | S     | Seal, Final Driven            |
| 30    | 3402-073    | 1   | /P    | Seal, Oil                     |
| 31    | 3402-074    | 1   |       | Seal, Oil                     |
| 32    | 3402-075    | 1   |       | Seal, Oil                     |
| 33    | 3004-786    | 1   | /P    | Clamp - Right                 |
| 34    | 3402-092    | 1   |       | Spring                        |
| 35    | 3004-279    | 4   | S/P   | Stud, Bolt                    |
| 36    | 3004-301    | 2   | S     | Stud, Bolt - Left             |
| 37    | 3423-175    | 9   | S     | Bolt, Bearing - Right         |
| 38    | 3402-187    | 1   | /P    | Bearing - Left                |
| 39    | 3004-326    | 2   | S/P   | Nut                           |
| 40    | 3423-206    | 4   | S     | Nut, Rear Final Housing       |
| 41    | 3423-194    | 1   | S     | Circlip Set                   |



1998 ATV 454 4X4 (98A4A-1998)  
 REAR SUSPENSION ASSEMBLY

Page 62 of 96

| Ref # | Part Number | Qty | S/P/F | Description                                                  |
|-------|-------------|-----|-------|--------------------------------------------------------------|
| 1     | 8409-060    | 2   |       | Screw, Cap                                                   |
| 2     | 8409-000    | 2   |       | Screw, Cap                                                   |
| 3     | 0504-001    | 3   |       | Arm, Swing                                                   |
| 4     | 8428-002    | 8   |       | Nut, Lock                                                    |
| 5     | 8409-055    | 1   |       | Screw, Cap                                                   |
| 6     | 0504-005    | 1   |       | Arm, Swing                                                   |
| 7     | 0403-027    | 2   |       | Retainer, Spring - Lower                                     |
| 8     | 0404-001    | 2   |       | Shock Absorber - Rear (inc. two No. 9 and four No. 10) (4x4) |
| 9     | 0403-028    | 4   |       | Sleeve, Shock                                                |
| 10    | 0604-310    | 8   |       | Bushing, Shock Absorber                                      |
| 11    | 0603-033    | 2   | S     | Retainer, Spring                                             |
| 12    | 8409-040    | 4   |       | Screw, Cap                                                   |
| 13    | 0404-006    | 2   | /P    | Spring, Shock Absorber (4x4)                                 |
| 14    | 0403-025    | 2   | /P    | Collar, Spring                                               |
| 15    | 0403-013    | 2   |       | Washer, Spring Adjustment                                    |
| 16    | 8422-002    | 1   |       | Nut, Lock                                                    |
| 17    | 8409-065    | 1   |       | Screw, Cap                                                   |



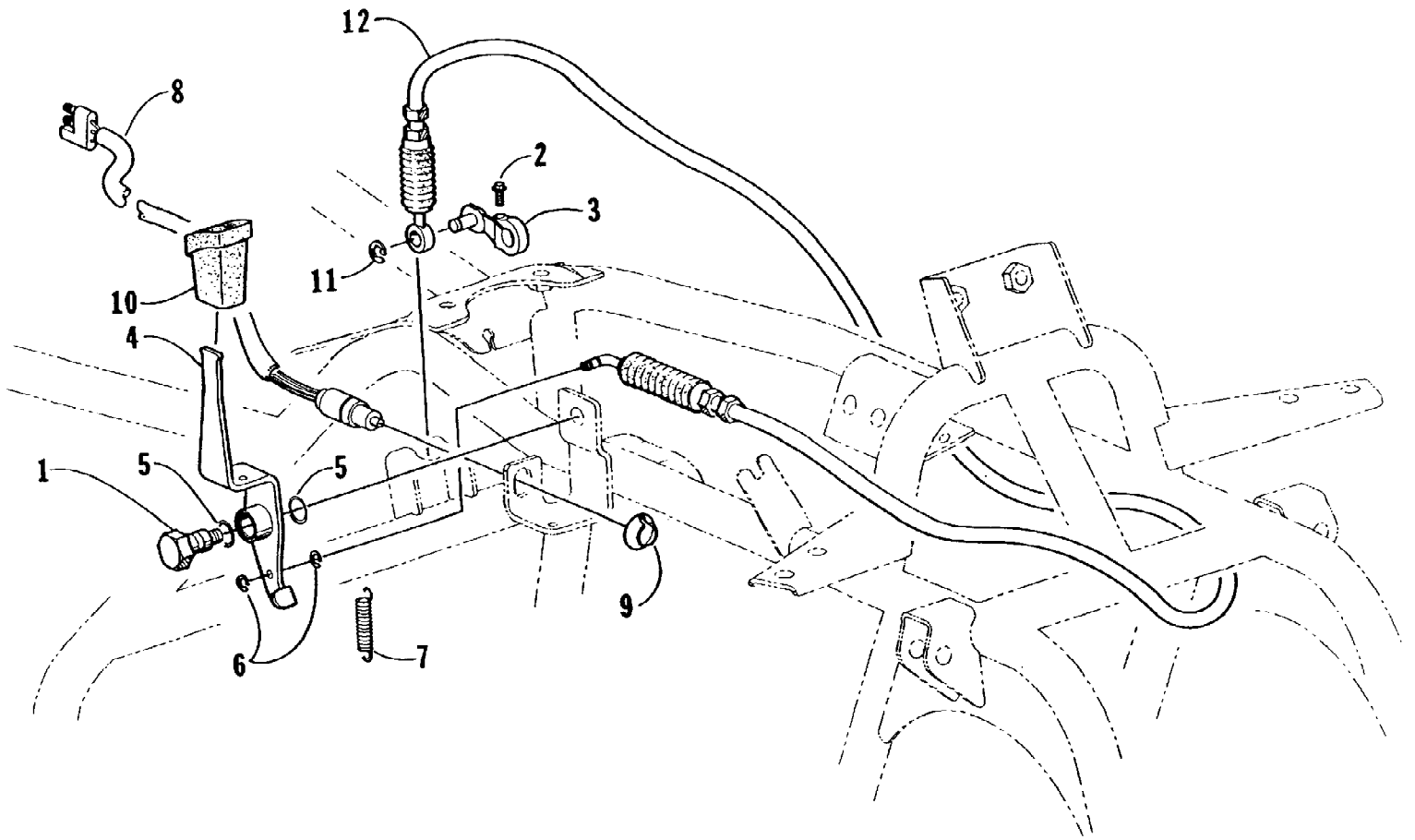
1998 ATV 454 4X4 (98A4A-1998)  
 RECOIL STARTER ASSEMBLY

Page 64 of 96

| Ref # | Part Number | Qty | S/P/F | Description                            |
|-------|-------------|-----|-------|----------------------------------------|
| 1     | 3445-003    | 1   |       | Starter, Recoil - Assembly (inc. 2-12) |
| 2     | 3445-004    | 1   |       | Reel                                   |
| 3     | 3445-016    | 1   |       | Ratchet Assembly (inc. 4 and 6-10)     |
| 4     | 0           | 1   | F     | Pin, Ratchet                           |
| 5     | 3445-007    | 1   |       | Spring, Spiral                         |
| 6     | 0           | 1   | F     | Spring, Friction                       |
| 7     | 0           | 1   | F     | Shaft                                  |
| 8     | 0           | 1   | F     | Cover, Spring                          |
| 9     | 0           | 1   | F     | Plate, Friction                        |
| 10    | 0           | 1   | F     | Guide, Ratchet                         |
| 11    | 3004-488    | 1   | S/P   | Nut                                    |
| 12    | 3445-011    | 1   |       | Rope Assembly                          |
| 13    | 3445-013    | 1   | /P    | Gasket                                 |
| 14    | 3423-112    | 4   | S     | Screw, Cap                             |
| 15    | 3445-015    | 1   |       | Cup, Starter                           |
| 16    | 3004-491    | 1   | S/P   | Nut                                    |
| 17    | 3423-053    | 1   | /P    | O-Ring                                 |



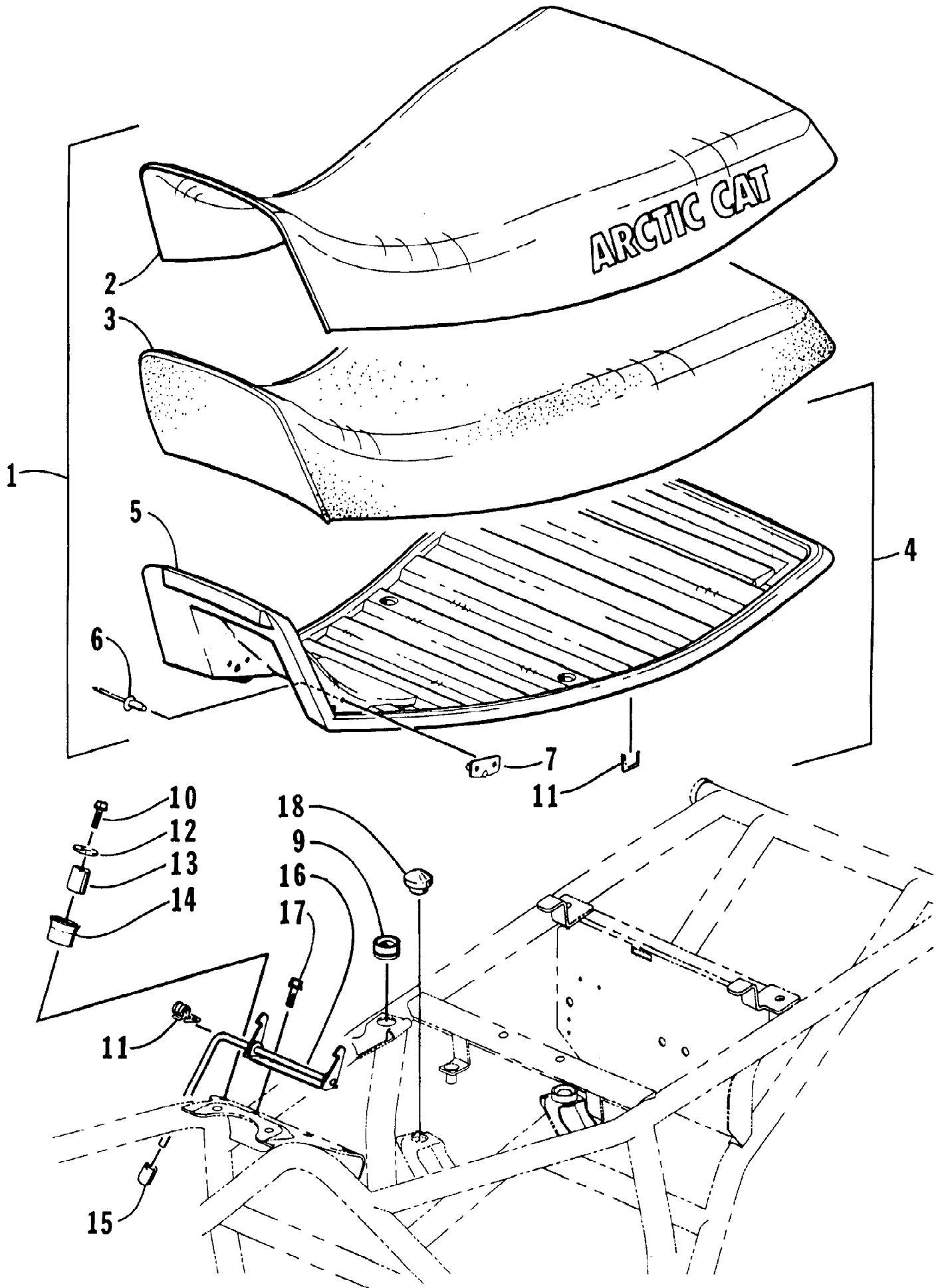
1998 ATV 454 4X4 (98A4A-1998)  
REVERSE SHIFT LEVER ASSEMBLY



1998 ATV 454 4X4 (98A4A-1998)  
REVERSE SHIFT LEVER ASSEMBLY

Page 66 of 96

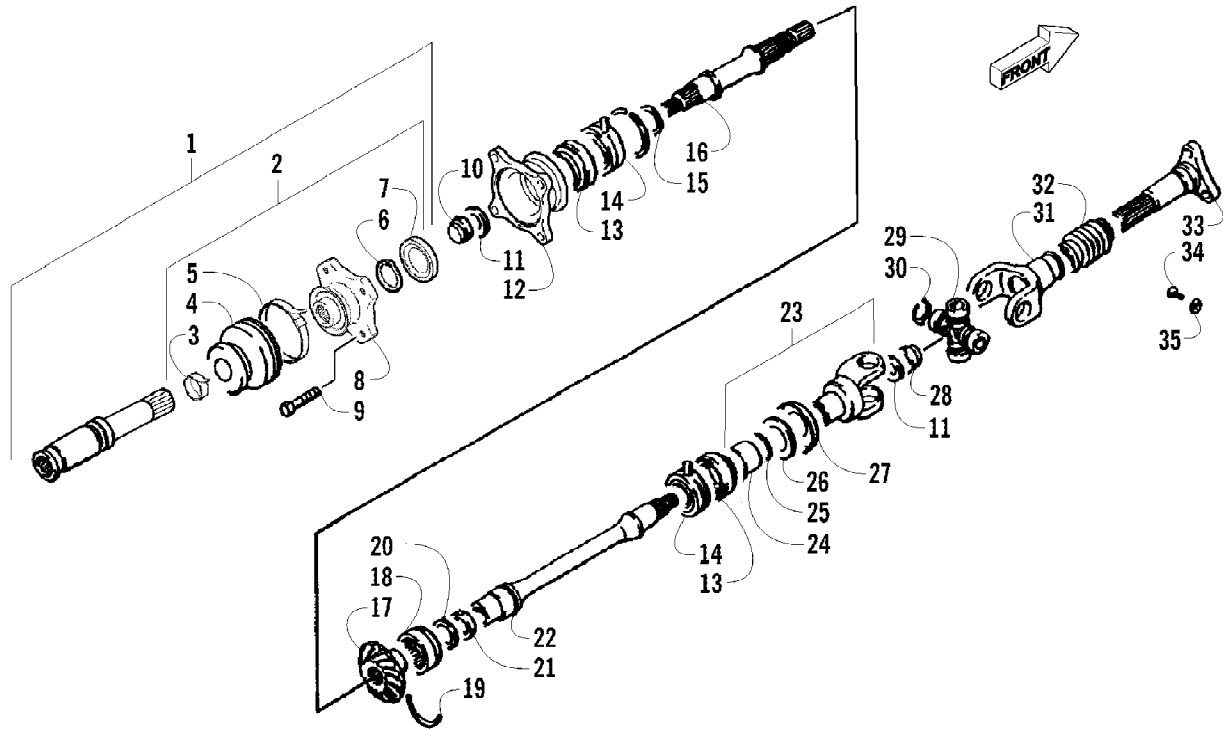
| Ref # | Part Number | Qty | S/P/F | Description               |
|-------|-------------|-----|-------|---------------------------|
| 1     | 0402-239    | 1   |       | Axle, Reverse Shift       |
| 2     | 8476-616    | 1   |       | Screw, Cap                |
| 3     | 3446-055    | 1   |       | Arm, Reverse Shift        |
| 4     | 0502-059    | 1   | S     | Lever, Reverse            |
| 5     | 0423-069    | 2   |       | O-Ring                    |
| 6     | 0423-063    | 2   |       | E-Ring                    |
| 7     | 0402-136    | 1   | S     | Spring, Reverse Lever     |
| 8     | 0409-008    | 1   |       | Reverse Switch            |
| 9     | 0402-168    | 1   | /P    | Retainer, Switch          |
| 10    | 0402-062    | 1   |       | Knob, Reverse Shift Lever |
| 11    | 3423-168    | 1   | S     | E-Ring                    |
| 12    | 0487-003    | 1   |       | Cable, Shift              |



1998 ATV 454 4X4 (98A4A-1998)  
SEAT ASSEMBLY

Page 68 of 96

| Ref # | Part Number | Qty | S/P/F | Description                      |
|-------|-------------|-----|-------|----------------------------------|
| 1     | 5990-069    | 1   | S     | Seat - Assembly (inc. 2-8)       |
| 2     | 0506-054    | 1   |       | Cover, Seat                      |
| 3     | 0506-056    | 1   |       | Foam, Seat                       |
| 4     | 0506-223    | 1   | /P    | Base, Seat - Assembly (inc. 5-7) |
| 5     | 0           | 1   | F     | Base, Seat                       |
| 6     | 8061-628    | 4   |       | Rivet                            |
| 7     | 0506-147    | 1   | S     | Pin, Seat Base - Front           |
| 8     | 0624-263    | 0   |       | Staple                           |
| 9     | 0406-309    | 2   |       | Grommet, Seat - Center           |
| 10    | 8476-620    | 2   |       | Screw, Cap                       |
| 11    | 0406-235    | 1   |       | Spring, Seat Latch               |
| 12    | 8050-217    | 2   | /P    | Washer                           |
| 13    | 0406-199    | 2   |       | Collar, Front Seat Base          |
| 14    | 0406-171    | 2   |       | Bumper, Seat Base - Front        |
| 15    | 0623-404    | 1   |       | Cap, Protector                   |
| 16    | 0406-103    | 1   | S     | Latch, Seat - Assembly           |
| 17    | 8477-616    | 2   |       | Screw, Machine                   |
| 18    | 0406-270    | 2   |       | Bumper, Seat Base - Center       |

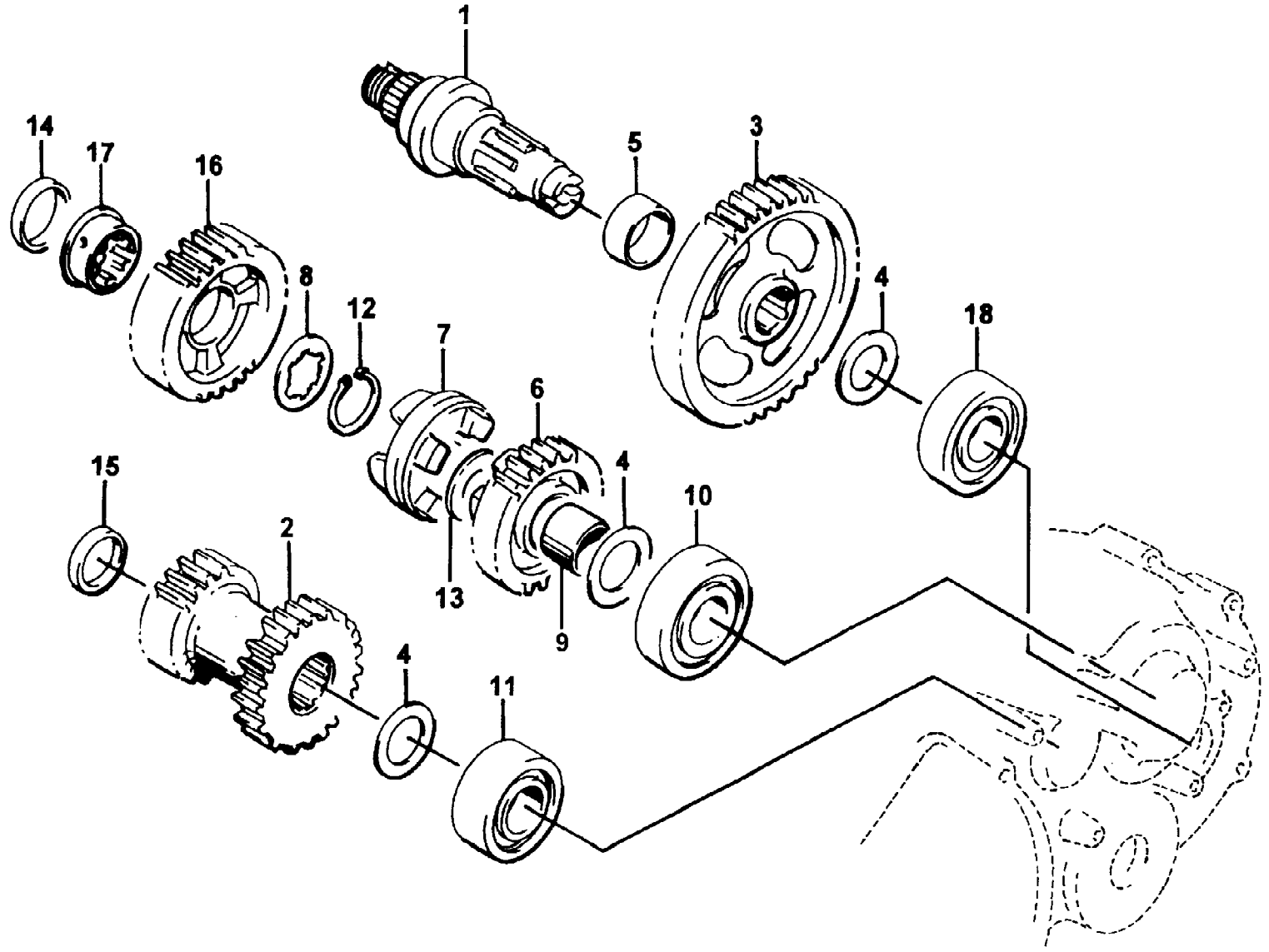


1998 ATV 454 4X4 (98A4A-1998)  
SECONDARY DRIVE ASSEMBLY

Page 70 of 96

| Ref # | Part Number | Qty | S/P/F | Description                            |
|-------|-------------|-----|-------|----------------------------------------|
| 1     | 3435-010    | 1   |       | Joint Assembly, Rear Output (inc. 2-8) |
| 2     | 3435-066    | 1   |       | Boot, Joint - Set (inc. 3-7)           |
| 3     | 3423-212    | 1   |       | Band                                   |
| 4     | 3435-067    | 1   |       | Boot                                   |
| 5     | 3423-211    | 1   |       | Band                                   |
| 6     | 3423-210    | 1   |       | Ring, Snap                             |
| 7     | 3423-356    | 1   |       | Seal, Plate                            |
| 8     | 0           | 1   | F     | Flange, Output                         |
| 9     | 8408-820    | 4   | /P    | Screw, Cap                             |
| 10    | 3423-026    | 1   | S     | Nut                                    |
| 11    | 3423-028    | 2   |       | Washer                                 |
| 12    | 3435-003    | 1   | S     | Flange, Output Joint                   |
| 13    | 3402-072    | 2   |       | Seal, Oil                              |
| 14    | 3402-067    | 2   | S     | Bearing w/ Locating Ring and Pin       |
| 15    | 3402-017    | 1   |       | Shim - 0.60 mm                         |
| 15    | 3402-018    | 1   |       | Shim - 0.65 mm                         |
| 15    | 3402-019    | 1   |       | Shim - 0.70 mm                         |
| 15    | 3402-020    | 1   |       | Shim - 0.75 mm                         |
| 15    | 3402-021    | 1   | S     | Shim - 0.80 mm                         |
| 15    | 3402-022    | 1   |       | Shim - 0.85 mm                         |
| 15    | 3402-023    | 1   |       | Shim - 0.90 mm                         |
| 15    | 3402-024    | 1   |       | Shim - 0.95 mm                         |
| 15    | 3402-025    | 1   | S     | Shim - 1.00 mm                         |
| 15    | 3402-028    | 1   |       | Shim - 1.05 mm                         |
| 15    | 3402-029    | 1   |       | Shim - 1.10 mm                         |
| 15    | 3402-030    | 1   |       | Shim - 1.15 mm                         |
| 15    | 3402-031    | 1   |       | Shim - 1.20 mm                         |
| 16    | 3446-037    | 1   |       | Shaft - Rear                           |
| 17    | 3446-034    | 1   | S     | Gear                                   |
| 18    | 3402-062    | 1   | S     | Bearing w/Groove                       |
| 19    | 3423-072    | 1   |       | Ring, Bearing                          |
| 20    | 3423-137    | 1   |       | Washer                                 |
| 21    | 3423-136    | 1   |       | Nut                                    |
| 22    | 3446-036    | 1   |       | Shaft - Front                          |
| 23    | 3435-001    | 1   | S     | Yoke, Drive Output (inc. 24-27)        |
| 24    | 3435-029    | 1   |       | Collar, Yoke                           |
| 25    | 3423-060    | 1   |       | O-Ring                                 |
| 26    | 3435-030    | 1   |       | Plate, Yoke Collar                     |
| 27    | 3423-035    | 1   |       | Plate, Yoke Collar                     |
| 28    | 3423-026    | 1   | S     | Nut                                    |
| 29    | 3435-011    | 1   |       | Joint Set, Universal (inc. 30)         |
| 30    | 3423-067    | 4   |       | Circlip                                |
| 31    | 3435-002    | 1   |       | Yoke, Joint                            |
| 32    | 3435-005    | 1   | /P    | Boot, Propeller Shaft                  |
| 33    | 3435-004    | 1   |       | Shaft, Propeller                       |
| 34    | 3004-552    | 1   | S     | Screw, Cap                             |
| 35    | 3423-135    | 2   |       | Retainer                               |

1998 ATV 454 4X4 (98A4A-1998)  
SECONDARY TRANSMISSION ASSEMBLY



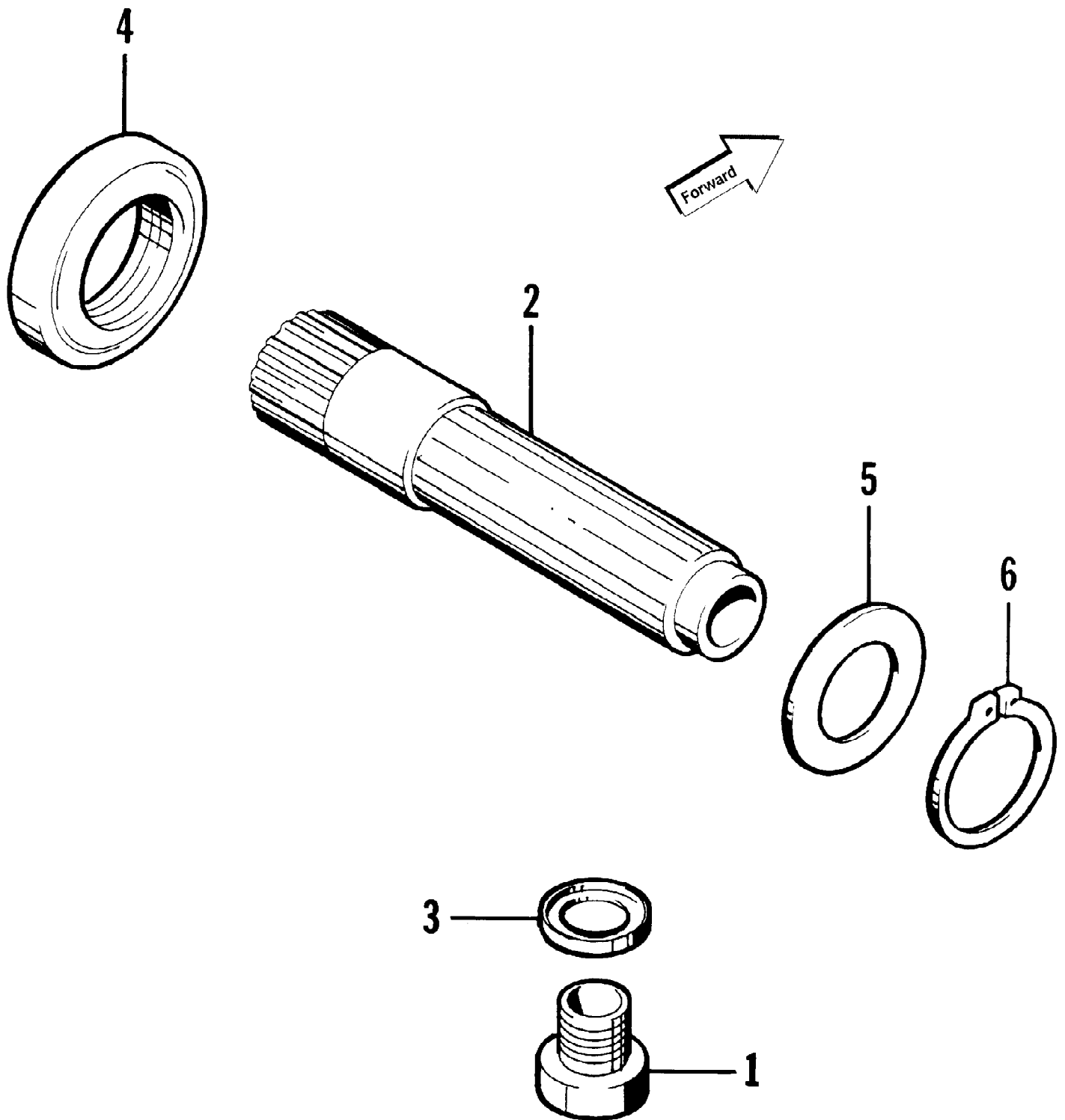
1998 ATV 454 4X4 (98A4A-1998)

Page 72 of 96

## SECONDARY TRANSMISSION ASSEMBLY

| Ref # | Part Number | Qty | S/P/F | Description                  |
|-------|-------------|-----|-------|------------------------------|
| 1     | 3446-065    | 1   |       | Shaft, Output                |
| 2     | 3446-066    | 1   |       | Gear, Idle                   |
| 3     | 3446-072    | 1   |       | Gear, Driven                 |
| 4     | 3423-150    | 3   | /P    | Washer                       |
| 5     | 3402-015    | 1   |       | Spacer, Drive                |
| 6     | 3446-070    | 1   |       | Gear, (No. 2)                |
| 7     | 3446-108    | 1   |       | Dog, Select Sliding          |
| 8     | 3423-036    | 1   |       | Washer                       |
| 9     | 3446-103    | 1   |       | Bushing                      |
| 10    | 3402-046    | 1   |       | Bearing, Driveshaft - Left   |
| 11    | 3402-047    | 1   | S     | Bearing, Center Shaft - Left |
| 12    | 3423-066    | 1   | /P    | Circlip, (No. 1)             |
| 13    | 3423-126    | 1   | /P    | Washer, Gear (No. 2)         |
| 14    | 3446-068    | 1   |       | Spacer                       |
| 15    | 3423-148    | 1   |       | Spacer, Idle Gear            |
| 16    | 3446-067    | 1   |       | Gear, (No. 1)                |
| 17    | 3446-069    | 1   | S     | Bushing                      |
| 18    | 3402-045    | 1   | /P    | Bearing Set - Left           |



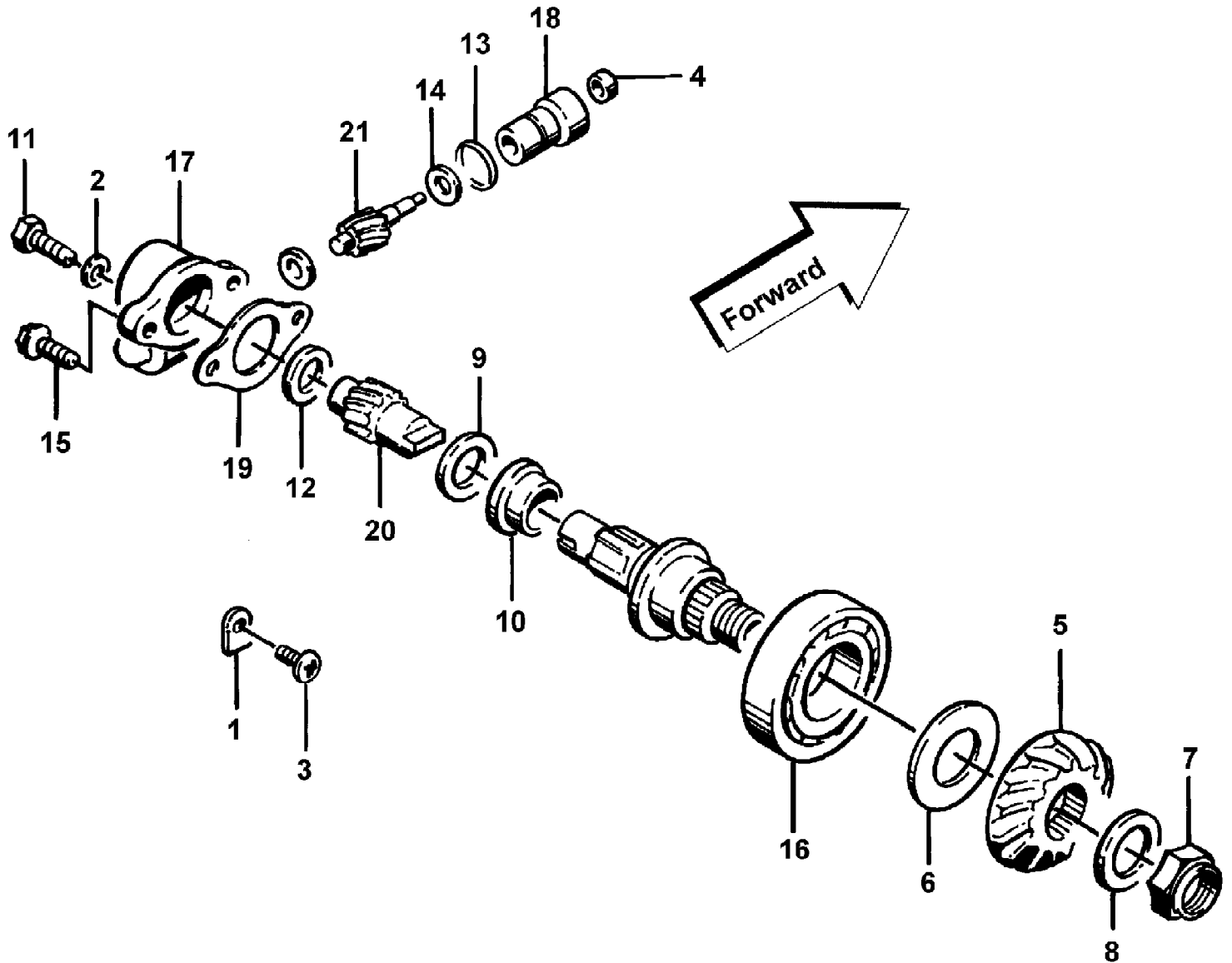


1998 ATV 454 4X4 (98A4A-1998)  
SHIFTER ASSEMBLY

Page 74 of 96

| Ref # | Part Number | Qty | S/P/F | Description           |
|-------|-------------|-----|-------|-----------------------|
| 1     | 3446-046    | 1   |       | Housing, Shift Stop   |
| 2     | 3446-076    | 1   |       | Shaft, Shift          |
| 3     | 3402-012    | 1   |       | Gasket, Cam Stop      |
| 4     | 3402-071    | 1   | /P    | Seal, Oil             |
| 5     | 3423-158    | 1   | /P    | Washer, Shaft - Left  |
| 6     | 3423-193    | 1   | S/P   | Circlip, Shaft - Left |

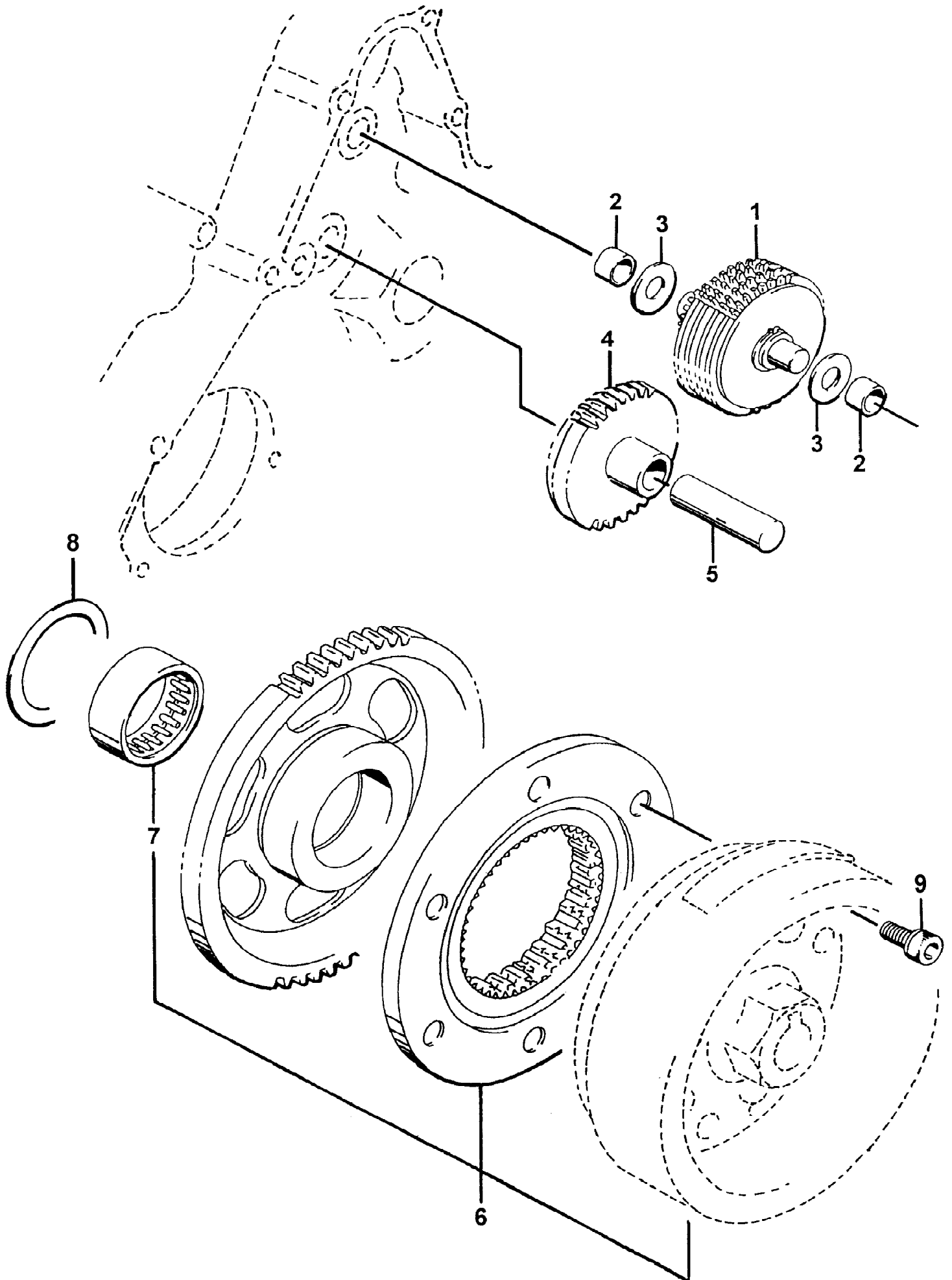
1998 ATV 454 4X4 (98A4A-1998)  
SPEEDOMETER DRIVE ASSEMBLY



1998 ATV 454 4X4 (98A4A-1998)  
SPEEDOMETER DRIVE ASSEMBLY

Page 76 of 96

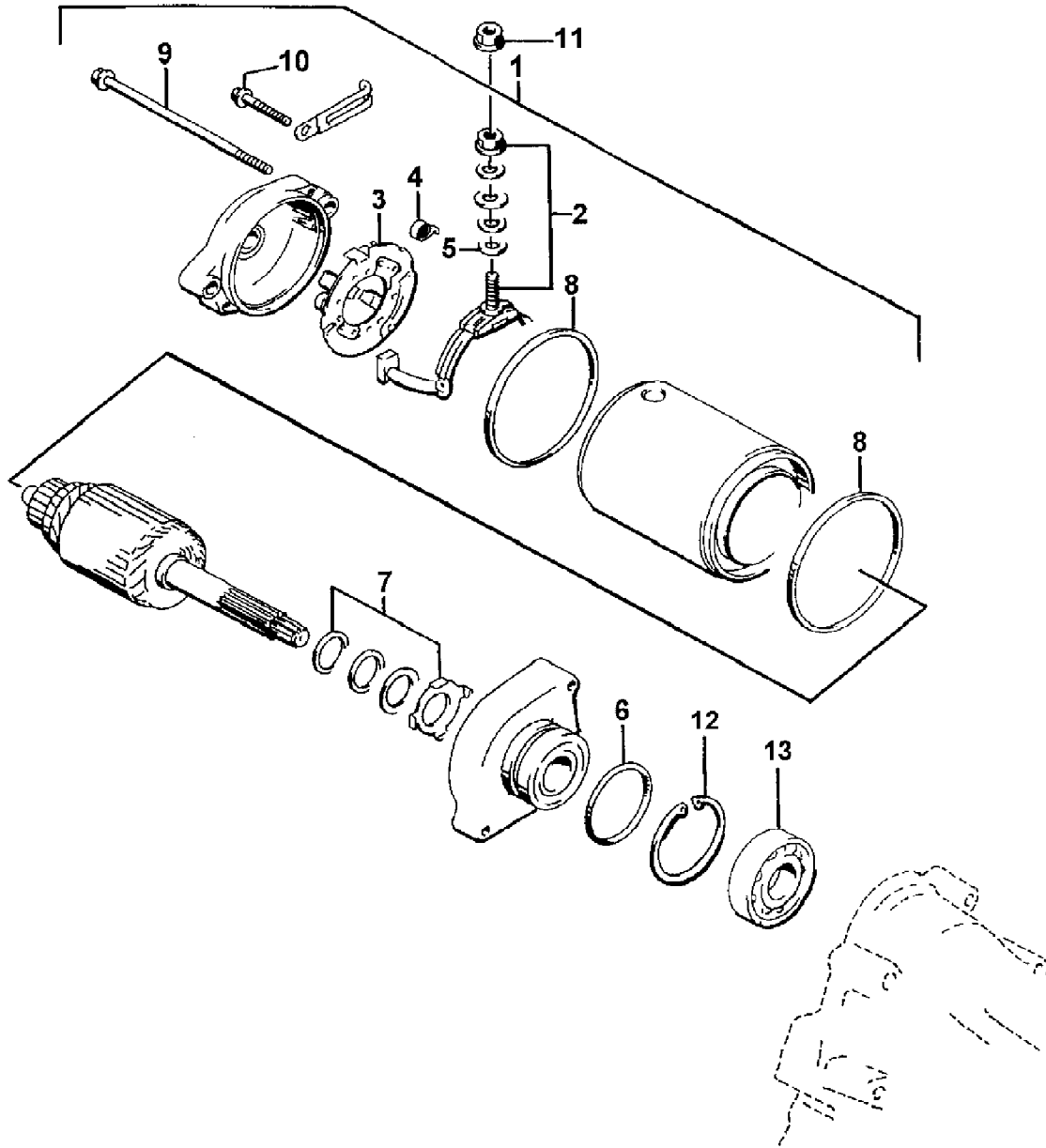
| Ref # | Part Number | Qty | S/P/F | Description               |
|-------|-------------|-----|-------|---------------------------|
| 1     | 3446-031    | 2   | /P    | Retainer, Bearing         |
| 2     | 3402-009    | 1   | /P    | Washer, Driven            |
| 3     | 3004-552    | 2   | S     | Screw, Retainer           |
| 4     | 3402-077    | 1   |       | Seal, Driven Gear         |
| 5     | 3446-033    | 1   | S     | Gear                      |
| 6     | 3446-035    | 1   |       | Shim Set                  |
| 7     | 3423-023    | 1   |       | Nut                       |
| 8     | 3423-032    | 1   |       | Washer                    |
| 9     | 3423-146    | 1   |       | Washer - Right            |
| 10    | 3446-062    | 1   | S     | Spacer, Driven Gear (4x4) |
| 11    | 3423-143    | 1   | S     | Bolt, Gear                |
| 12    | 3423-145    | 1   |       | Washer                    |
| 13    | 3423-056    | 1   |       | O-Ring                    |
| 14    | 3423-144    | 1   |       | Washer                    |
| 15    | 3004-507    | 2   | S     | Bolt, Gear                |
| 16    | 3402-055    | 1   | /P    | Bearing Set - Right       |
| 17    | 3446-057    | 1   |       | Housing, Odometer Gear    |
| 18    | 3446-058    | 1   |       | Sleeve                    |
| 19    | 3446-059    | 1   | S     | Gasket                    |
| 20    | 3446-060    | 1   |       | Gear, Drive               |
| 21    | 3446-061    | 1   |       | Gear, Driven              |



1998 ATV 454 4X4 (98A4A-1998)  
STARTER CLUTCH ASSEMBLY

Page 78 of 96

| Ref # | Part Number | Qty | S/P/F | Description                    |
|-------|-------------|-----|-------|--------------------------------|
| 1     | 3402-123    | 1   |       | Limiter, Idle Gear - Assembly  |
| 2     | 3402-125    | 2   |       | Bushing                        |
| 3     | 3423-103    | 2   | /P    | Washer                         |
| 4     | 3402-124    | 1   |       | Gear, Starter Idle             |
| 5     | 3423-042    | 1   |       | Pin                            |
| 6     | 3402-122    | 1   | S     | Clutch, Starter - Set (inc. 7) |
| 7     | 3402-063    | 1   |       | Bearing                        |
| 8     | 3423-104    | 1   |       | Washer                         |
| 9     | 3423-102    | 6   | S     | Screw, Cap                     |

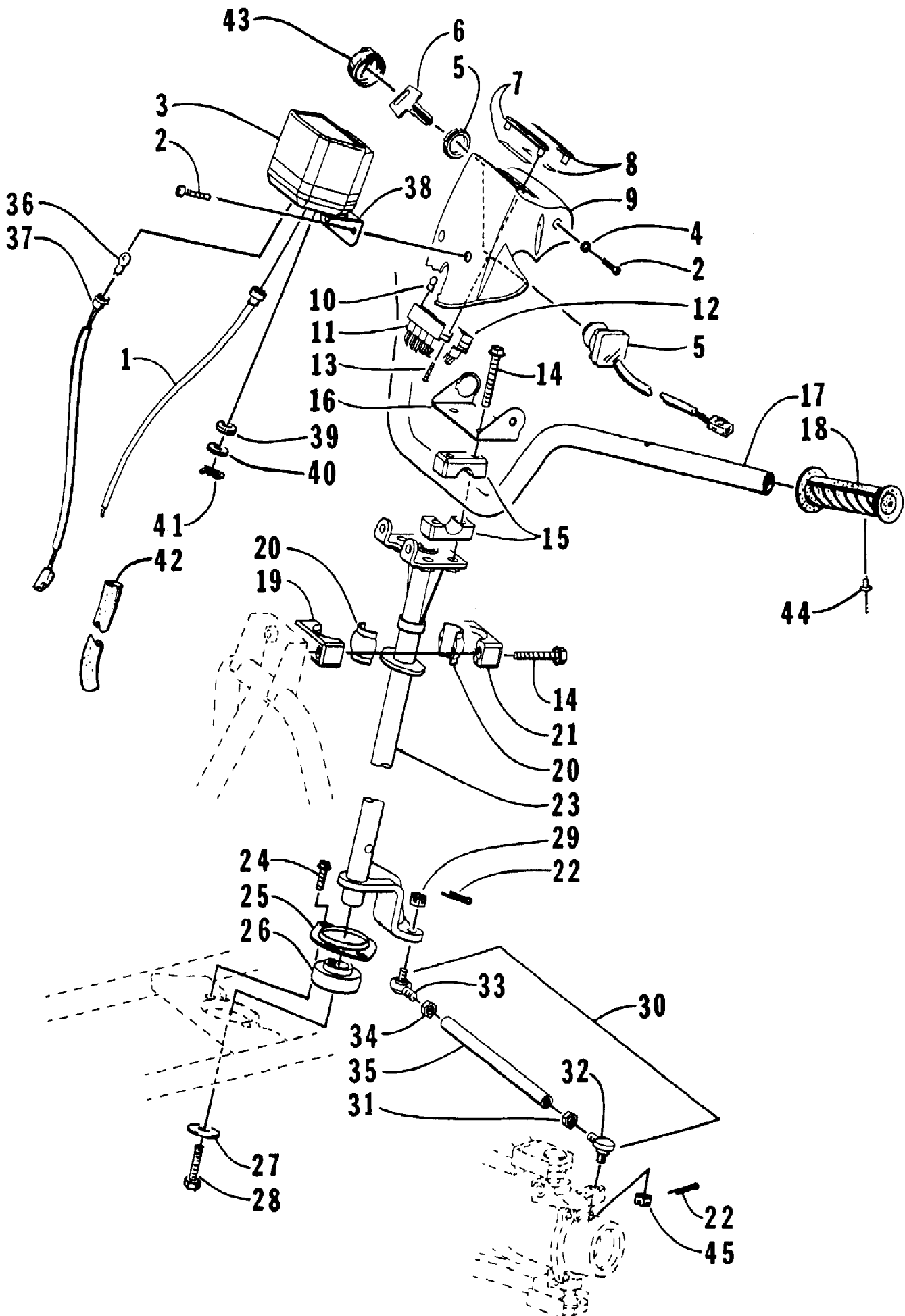


1998 ATV 454 4X4 (98A4A-1998)  
STARTER MOTOR ASSEMBLY

Page 80 of 96

| Ref # | Part Number | Qty | S/P/F | Description                        |
|-------|-------------|-----|-------|------------------------------------|
| 1     | 3545-001    | 1   | S     | Motor, Starter Assembly (inc. 2-9) |
| 2     | 3008-094    | 1   | /P    | Terminal Set, Brush                |
| 3     | 3008-095    | 1   | /P    | Holder Set, Brush                  |
| 4     | 3008-096    | 4   |       | Spring, Brush                      |
| 5     | 3008-164    | 1   |       | O-Ring                             |
| 6     | 3423-084    | 1   |       | O-Ring                             |
| 7     | 3436-001    | 1   |       | Washer Set                         |
| 8     | 3008-101    | 2   | S     | O-Ring                             |
| 9     | 3423-085    | 2   |       | Screw, Cap                         |
| 10    | 3423-162    | 2   | S     | Screw, Cap                         |
| 11    | 3423-195    | 1   | /P    | Nut                                |
| 12    | 3423-201    | 1   | /P    | Circlip                            |
| 13    | 3402-043    | 1   | /P    | Bearing, Pinion Shaft              |



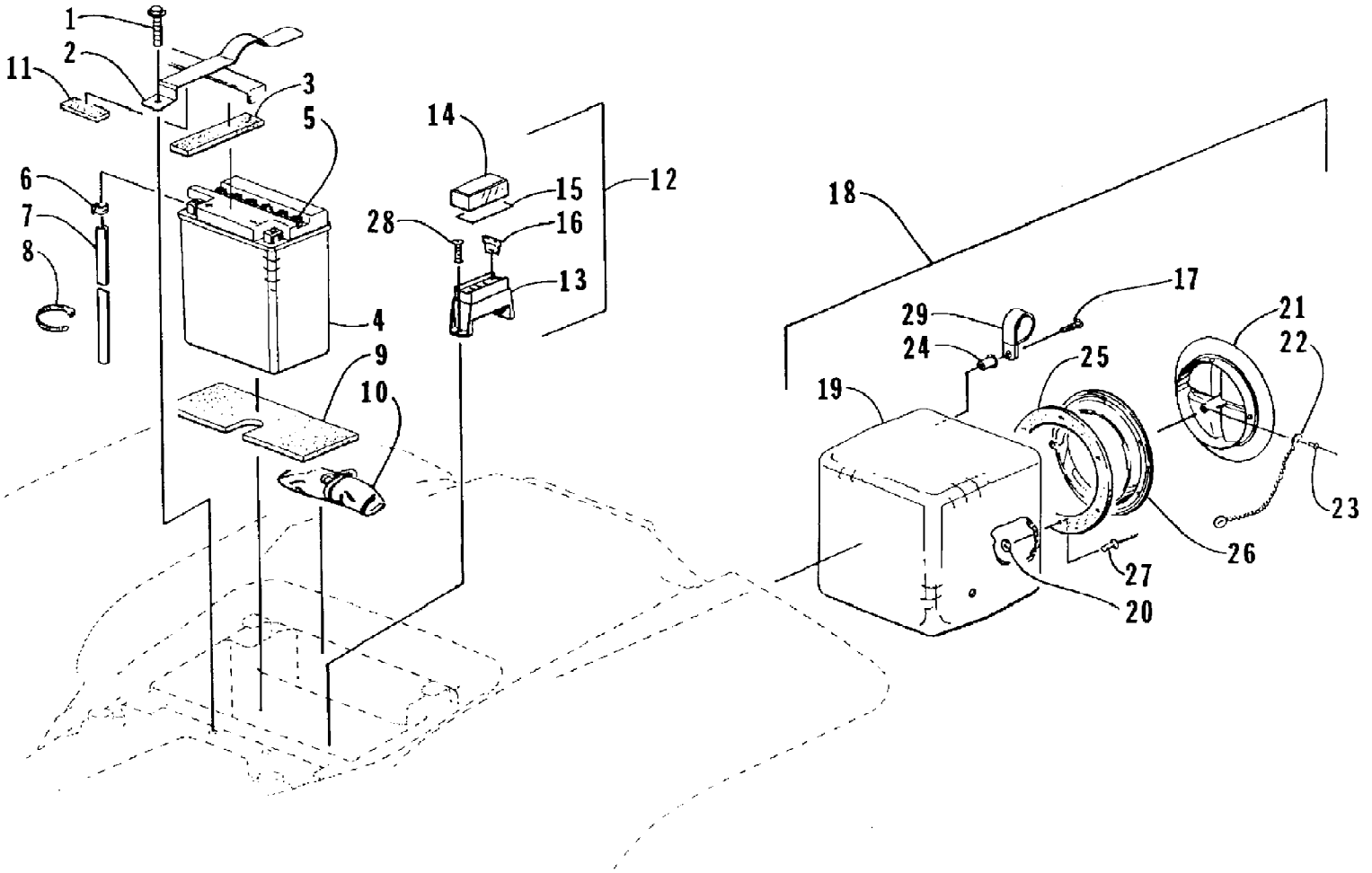


1998 ATV 454 4X4 (98A4A-1998)  
STEERING ASSEMBLY

Page 82 of 96

| Ref # | Part Number | Qty | S/P/F | Description                          |
|-------|-------------|-----|-------|--------------------------------------|
| 1     | 0487-005    | 1   |       | Cable, Speedometer                   |
| 2     | 8477-616    | 3   |       | Screw, Machine                       |
| 3     | 0420-003    | 1   | S     | Speedometer (inc. 36-41)             |
| 4     | 0423-052    | 1   |       | Collar, Body                         |
| 5     | 3430-013    | 1   | S     | Switch, Ignition - Assembly (inc. 6) |
| 6     | 3409-007    | 1   | /P    | Key, Ignition - Blank (C Series)     |
| 6     | 3409-011    | 1   |       | Key, Ignition - Blank (D Series)     |
| 7     | 0420-011    | 1   |       | Bezel/Lens, Warning - Assembly       |
| 8     | 0420-012    | 1   |       | Bezel/Lens, Shifting - Assembly      |
| 9     | 0405-019    | 1   |       | Instrument Pod                       |
| 10    | 0420-013    | 9   |       | Bulb, Light Bar                      |
| 11    | 0420-001    | 1   |       | Light, Warning - Assembly            |
| 12    | 0420-004    | 1   |       | Light, Shift Indicator - Assembly    |
| 13    | 0123-950    | 4   |       | Screw, Self-Tapping                  |
| 14    | 8408-860    | 6   |       | Screw, Cap                           |
| 15    | 0405-035    | 4   |       | Cap, Steering Adjuster               |
| 16    | 0506-139    | 1   | S     | Bracket, Key Switch                  |
| 17    | 0505-028    | 1   | S     | Tube, Handlebar                      |
| 18    | 0405-039    | 2   | /P    | Grip, Handlebar                      |
| 19    | 0605-171    | 1   |       | Housing, Bearing - Lower             |
| 20    | 0405-020    | 2   |       | Bearing, Steering Post               |
| 21    | 0605-147    | 1   | S     | Housing, Bearing - Upper             |
| 22    | 0623-175    | 4   |       | Pin, Cotter (4x4)                    |
| 23    | 0505-012    | 1   |       | Post, Steering                       |
| 24    | 8408-816    | 2   |       | Screw, Cap                           |
| 25    | 0602-233    | 1   |       | Flange, Bearing                      |
| 26    | 0602-807    | 1   | S     | Bearing - w/Inverted Oil Seal        |
| 27    | 0423-073    | 1   |       | Washer                               |
| 28    | 8409-020    | 1   | /P    | Screw, Cap                           |
| 29    | 8422-002    | 2   |       | Nut, Hex Castle (4x4)                |
| 30    | 0505-021    | 1   | S     | Tie Rod, Assembly (inc. 31-35) (4x4) |
| 31    | 8420-002    | 2   | /P    | Nut                                  |
| 32    | 0405-040    | 2   | S     | Ball Joint, Tie Rod - Right (4x4)    |
| 33    | 0405-041    | 2   | S     | Ball Joint, Tie Rod - Left (4x4)     |
| 34    | 0423-013    | 2   |       | Nut - Left                           |
| 35    | 0405-032    | 2   |       | Tie Rod                              |
| 36    | 0420-019    | 1   | S     | Bulb, Speedometer                    |
| 37    | 0420-014    | 1   |       | Harness, Speedometer                 |
| 38    | 0420-018    | 1   |       | Bracket, Speedometer                 |
| 39    | 0420-016    | 2   |       | Mount, Rubber                        |
| 40    | 0420-017    | 2   |       | Washer                               |
| 41    | 0420-015    | 2   |       | Pin, Retainer                        |
| 42    | 0423-067    | 1   |       | Tube, Loom                           |
| 43    | 0409-013    | 1   |       | Cover, Key                           |
| 44    | 8060-428    | 2   |       | Rivet                                |
| 45    | 8422-002    | 2   |       | Nut, Lock (4x4)                      |

1998 ATV 454 4X4 (98A4A-1998)  
STORAGE BOX AND BATTERY ASSEMBLY



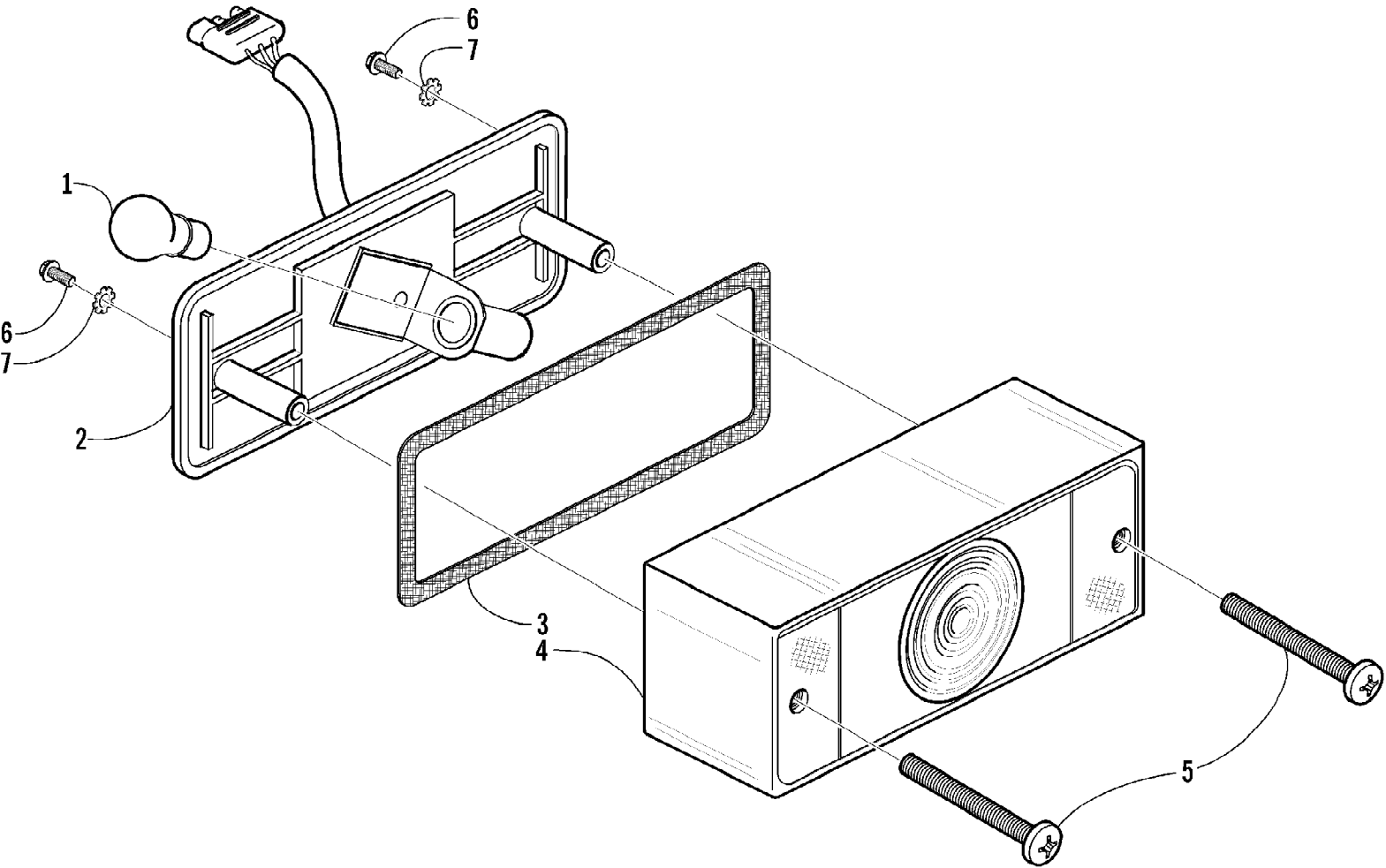
1998 ATV 454 4X4 (98A4A-1998)

Page 84 of 96

## STORAGE BOX AND BATTERY ASSEMBLY

| Ref # | Part Number | Qty | S/P/F | Description                               |
|-------|-------------|-----|-------|-------------------------------------------|
| 1     | 8476-616    | 1   |       | Screw, Cap                                |
| 2     | 0506-178    | 1   |       | Strap, Battery - w/Pads (inc. 3 and 11)   |
| 3     | 0406-289    | 2   |       | Pad, Battery - Upper Rear                 |
| 4     | 0445-005    | 1   | S     | Battery - Assembly (inc. 5-7)             |
| 5     | 0645-045    | 6   |       | Cap, Battery                              |
| 6     | 0645-152    | 1   |       | Clamp, Hose                               |
| 7     | 0645-263    | 1   | /P    | Hose, Battery Vent                        |
| 8     | 0123-788    | 0   | /P    | Tie, Cable                                |
| 9     | 0406-227    | 1   |       | Pad, Battery - Lower                      |
| 10    | 0444-001    | 1   | S     | Kit, Tool                                 |
| 11    | 0406-288    | 1   |       | Pad, Batter - Upper Front                 |
| 12    | 0530-001    | 1   |       | Fuse Box - Assembly (inc. 13-16)          |
| 13    | 0           | 1   | F     | Block, Fuse                               |
| 14    | 0           | 1   | F     | Lid, Fuse Block                           |
| 15    | 0411-042    | 1   |       | Decal, Fuse Block                         |
| 16    | 0630-057    | 3   |       | Fuse, 10 Amp                              |
| 16    | 0630-058    | 2   |       | Fuse, 15 Amp                              |
| 17    | 0123-549    | 4   | /P    | Screw, Machine (4x4)                      |
| 18    | 0506-102    | 1   | /P    | Storage Box - Assembly (inc. 19-27) (4x4) |
| 19    | 0406-257    | 1   | S     | Box, Tool                                 |
| 20    | 8050-152    | 6   |       | Washer                                    |
| 21    | 0406-208    | 1   |       | Lid, Tool Box                             |
| 22    | 0773-401    | 1   |       | Chain, Storage                            |
| 23    | 8060-223    | 2   | S     | Rivet                                     |
| 24    | 0123-010    | 4   | /P    | Nut, Expansion                            |
| 25    | 0673-973    | 1   |       | Seal, Storage Cover                       |
| 26    | 0406-205    | 1   | /P    | Ring, Mounting - Storage Box Lid          |
| 27    | 8060-630    | 6   |       | Rivet                                     |
| 28    | 0623-301    | 2   | /P    | Screw, Self-Tapping                       |
| 29    | 0423-044    | 4   |       | Clamp, Tube (4x4)                         |

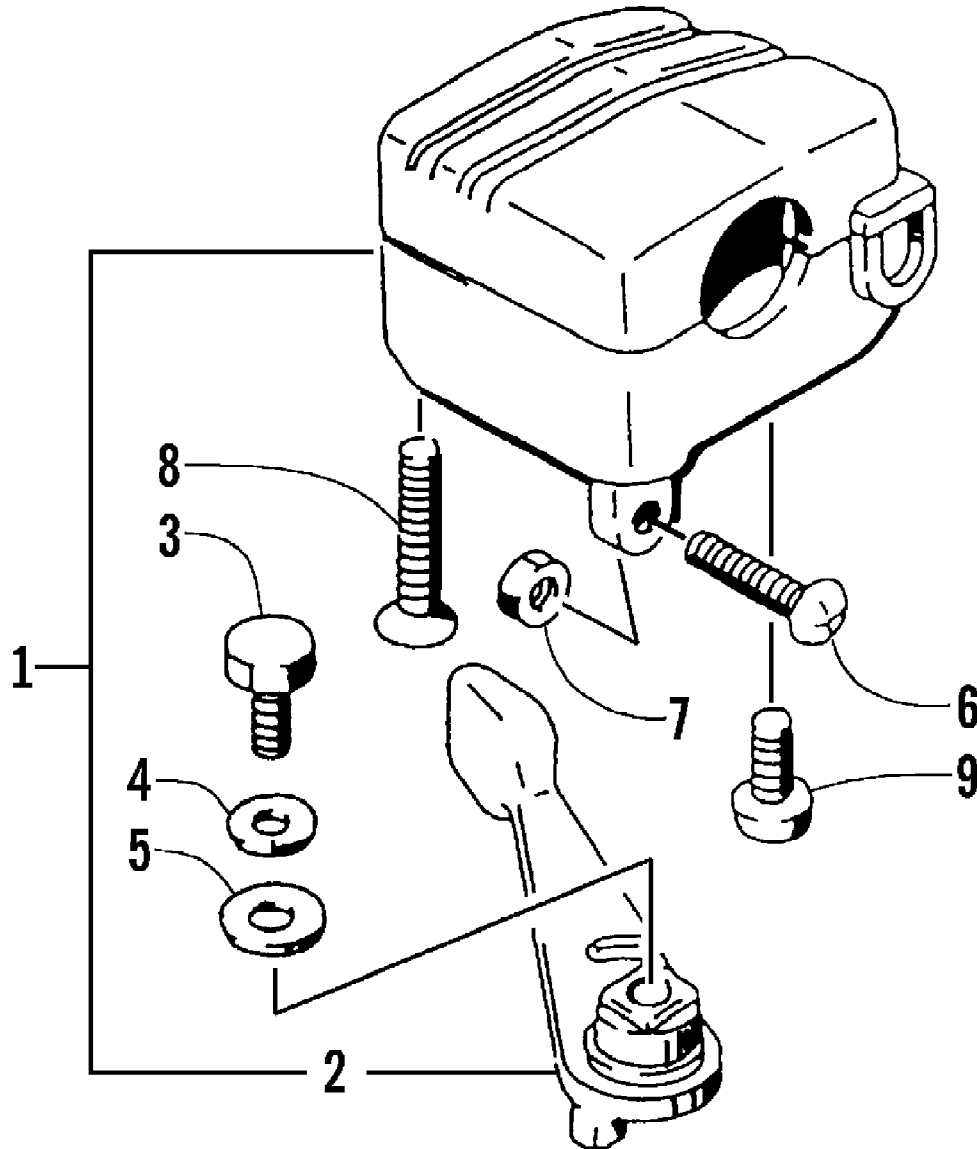
1998 ATV 454 4X4 (98A4A-1998)  
TAILLIGHT ASSEMBLY



1998 ATV 454 4X4 (98A4A-1998)  
TAILLIGHT ASSEMBLY

Page 86 of 96

| Ref # | Part Number | Qty | S/P/F | Description                   |
|-------|-------------|-----|-------|-------------------------------|
|       | 0409-002    | 1   |       | Complete Taillight Assembly   |
| 1     | 0109-460    | 1   | /P    | Bulb, Stop - Taillight        |
| 2     | 0409-011    | 1   |       | Taillight w/Socket Assembly   |
| 3     | 0409-012    | 1   |       | Gasket, Taillight             |
| 4     | 0409-007    | 1   |       | Lens, Taillight               |
| 5     | 0409-010    | 2   |       | Screw, Machine                |
| 6     | 0623-301    | 2   | /P    | Screw, Self-Tapping           |
| 7     | 8053-212    | 2   | /P    | Washer, Lock - External Tooth |



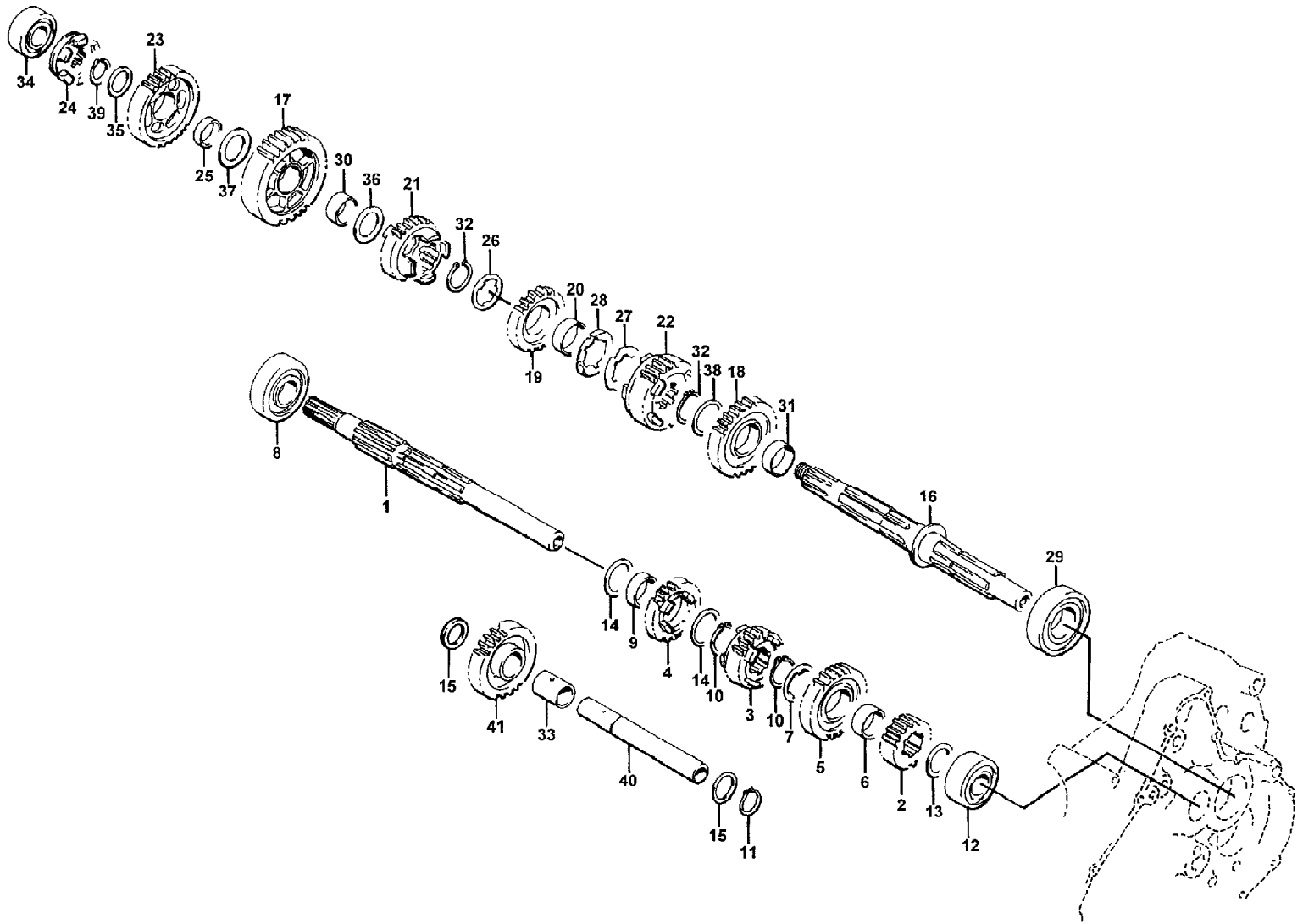
1998 ATV 454 4X4 (98A4A-1998)  
THROTTLE CASE ASSEMBLY

Page 88 of 96

| Ref # | Part Number | Qty | S/P/F | Description                          |
|-------|-------------|-----|-------|--------------------------------------|
| 1     | 3509-002    | 1   | S     | Case, Throttle - Assembly (inc. 2-9) |
| 2     | 3409-001    | 1   |       | Lever                                |
| 3     | 3004-533    | 1   | S/P   | Screw, Cap                           |
| 4     | 3004-447    | 1   | /P    | Washer, Lock                         |
| 5     | 3003-030    | 1   | /P    | Washer                               |
| 6     | 3423-014    | 1   |       | Screw, Cap                           |
| 7     | 3423-198    | 1   |       | Nut                                  |
| 8     | 3423-199    | 2   |       | Screw, Cap                           |
| 9     | 3004-638    | 1   | /P    | Screw, Cap                           |



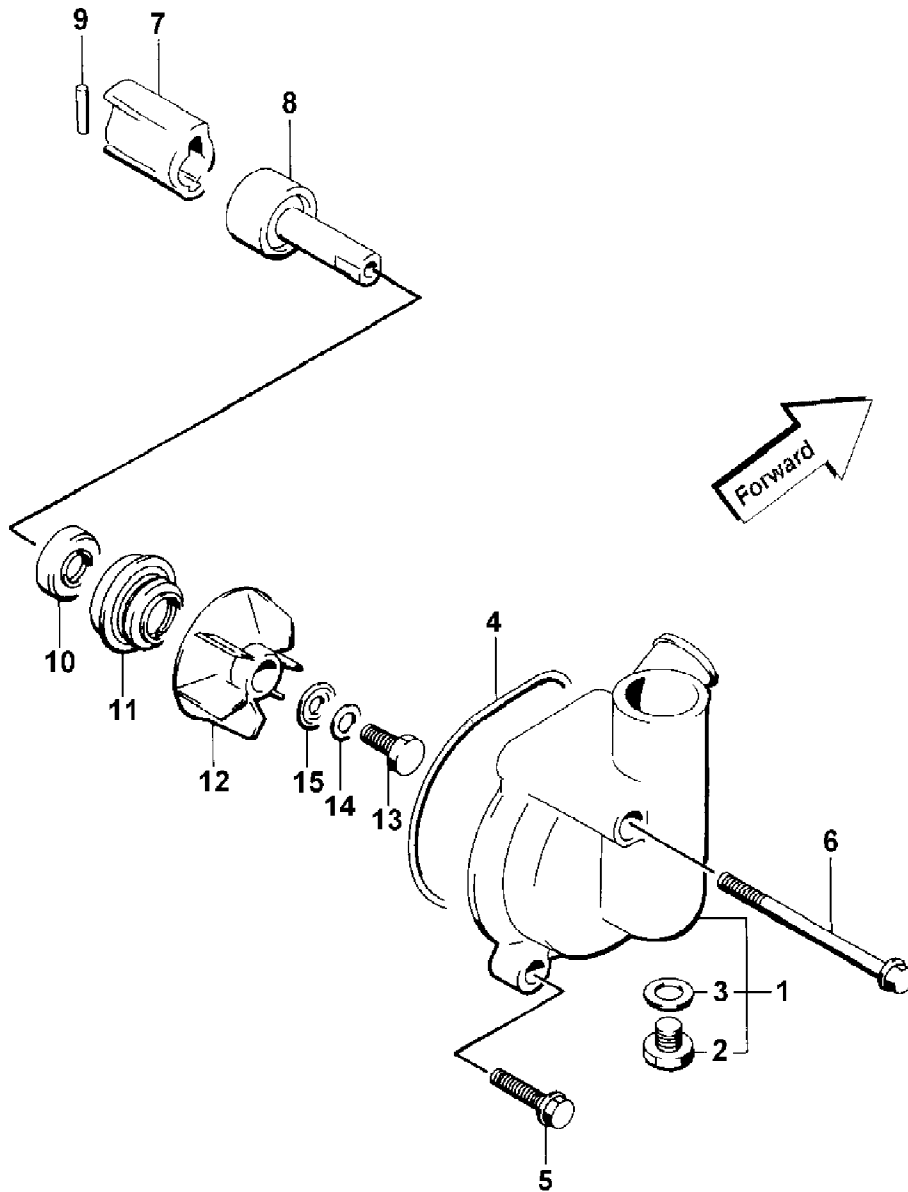
1998 ATV 454 4X4 (98A4A-1998)  
TRANSMISSION ASSEMBLY



1998 ATV 454 4X4 (98A4A-1998)  
TRANSMISSION ASSEMBLY

Page 90 of 96

| Ref # | Part Number | Qty | S/P/F | Description                   |
|-------|-------------|-----|-------|-------------------------------|
| 1     | 3446-014    | 1   |       | Shaft, Counter                |
| 2     | 3446-016    | 1   |       | Gear, 2nd Drive               |
| 3     | 3446-017    | 1   |       | Gear, 3rd Drive               |
| 4     | 3446-018    | 1   |       | Gear, 4th Drive               |
| 5     | 3446-019    | 1   |       | Gear, 5th Drive               |
| 6     | 3446-020    | 1   |       | Bushing, 5th Drive Gear       |
| 7     | 3423-037    | 1   |       | Washer, 5th Drive Gear        |
| 8     | 3402-049    | 1   | /P    | Bearing, Center Shaft - Right |
| 9     | 3402-081    | 1   |       | Bushing, 4th Drive Gear       |
| 10    | 3423-066    | 2   | /P    | Circlip, 4th Drive            |
| 11    | 3423-190    | 1   | S     | Circlip, Reverse Idle         |
| 12    | 3402-179    | 1   |       | Bearing, Center Shaft         |
| 13    | 3423-126    | 1   | /P    | Washer, 2nd Drive (4X4)       |
| 14    | 3423-187    | 2   | /P    | Washer, 4th Drive             |
| 15    | 3423-126    | 2   | /P    | Washer, Reverse Idle          |
| 16    | 3446-015    | 1   |       | Shaft, Drive                  |
| 17    | 3446-021    | 1   | S     | Gear, 1st Driven              |
| 18    | 3446-022    | 1   |       | Gear, 2nd Driven              |
| 19    | 3446-023    | 1   |       | Gear, 3rd Driven              |
| 20    | 3446-024    | 1   |       | Bushing, 3rd Driven           |
| 21    | 3446-025    | 1   | S     | Gear, 4th Driven              |
| 22    | 3446-026    | 1   |       | Gear, 5th Driven              |
| 23    | 3446-029    | 1   |       | Gear, Reverse Driven          |
| 24    | 3446-030    | 1   |       | Dog, Reverse                  |
| 25    | 3446-032    | 1   |       | Bushing, Reverse Driven       |
| 26    | 3423-038    | 1   |       | Washer, 3rd Driven - Right    |
| 27    | 3423-039    | 1   |       | Washer, 3rd Driven - Left     |
| 28    | 3423-040    | 1   |       | Washer, 3rd Driven - Left     |
| 29    | 3402-053    | 1   |       | Bearing, Driveshaft           |
| 30    | 3402-080    | 1   | S     | Bushing, 1st Driven           |
| 31    | 3402-082    | 1   |       | Bushing, 2nd Driven           |
| 32    | 3423-188    | 2   | S     | Circlip, 2nd Driven           |
| 33    | 3402-079    | 1   |       | Bushing, Reverse Idle         |
| 34    | 3003-320    | 1   | /P    | Bearing, Driveshaft - Right   |
| 35    | 3423-129    | 1   |       | Washer, Reverse Driven        |
| 36    | 3423-130    | 1   |       | Washer, 1st Driven - Left     |
| 37    | 3423-131    | 1   |       | Washer, 1st Driven - Right    |
| 38    | 3003-605    | 1   | /P    | Washer, 2nd Driven            |
| 39    | 3423-189    | 1   | S     | Circlip, Reverse Driven       |
| 40    | 3446-027    | 1   |       | Shaft, Reverse Idle           |
| 41    | 3446-028    | 1   |       | Gear, Reverse Idle            |

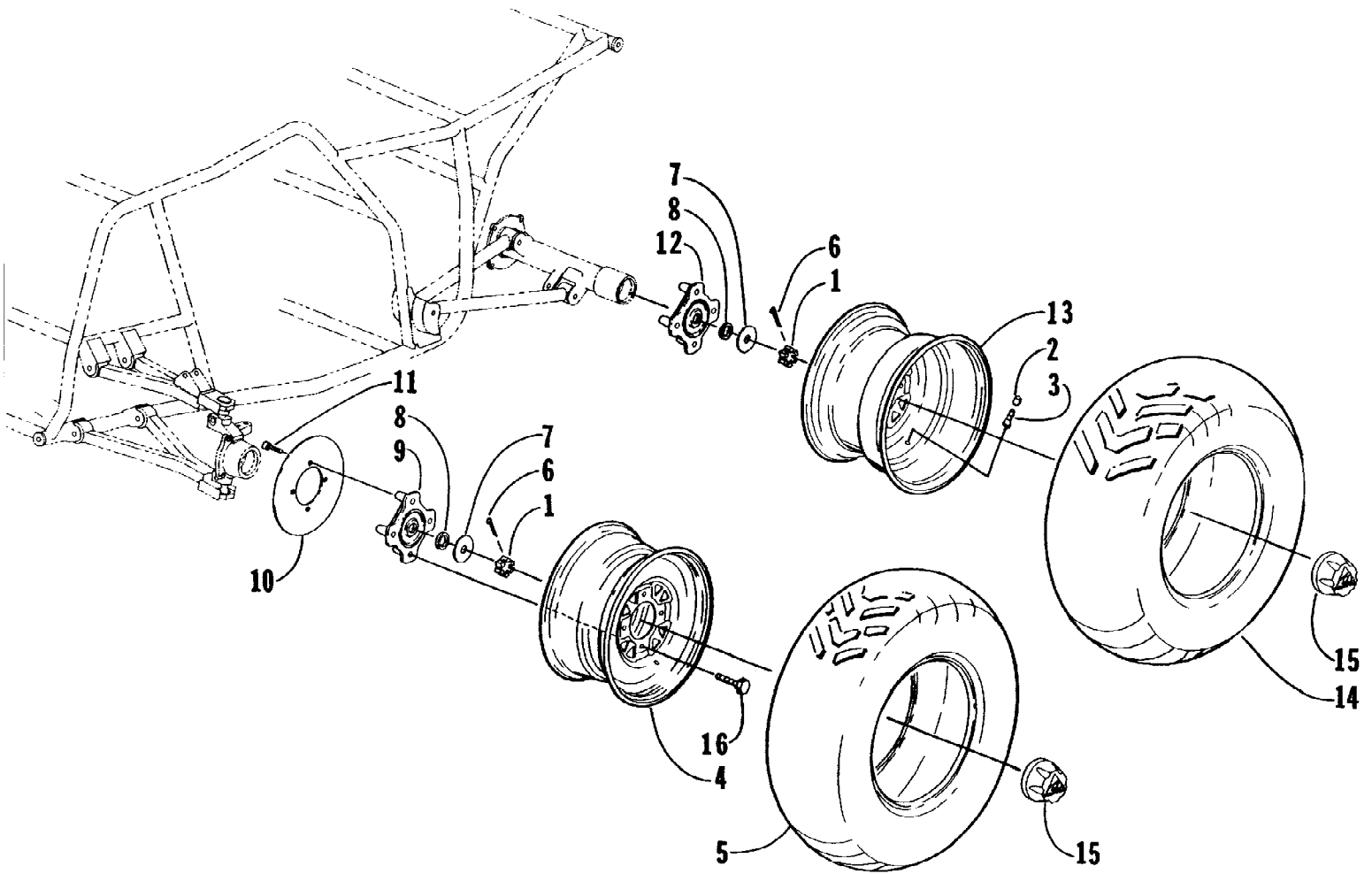


1998 ATV 454 4X4 (98A4A-1998)  
WATER PUMP ASSEMBLY

Page 92 of 96

| Ref # | Part Number | Qty | S/P/F | Description                 |
|-------|-------------|-----|-------|-----------------------------|
| 1     | 3402-159    | 1   | S     | Case, Water Pump (inc. 2-3) |
| 2     | 3423-185    | 1   |       | Screw, Cap                  |
| 3     | 3003-188    | 1   | S/P   | Gasket                      |
| 4     | 3423-078    | 1   |       | O-Ring                      |
| 5     | 3004-507    | 2   | S     | Screw, Cap                  |
| 6     | 3423-119    | 1   | S     | Screw, Cap                  |
| 7     | 3413-003    | 1   | S     | Joint, Pump Drive (4x4)     |
| 8     | 3413-002    | 1   |       | Shaft, Water Pump w/Bearing |
| 9     | 3423-046    | 1   |       | Pin                         |
| 10    | 3003-356    | 1   |       | Seal, Pump Drive            |
| 11    | 3003-466    | 1   | S     | Seal, Mechanical            |
| 12    | 3413-001    | 1   |       | Impeller                    |
| 13    | 3003-426    | 1   |       | Screw, Cap                  |
| 14    | 3003-431    | 1   | /P    | Washer                      |
| 15    | 3003-432    | 1   |       | Gasket                      |

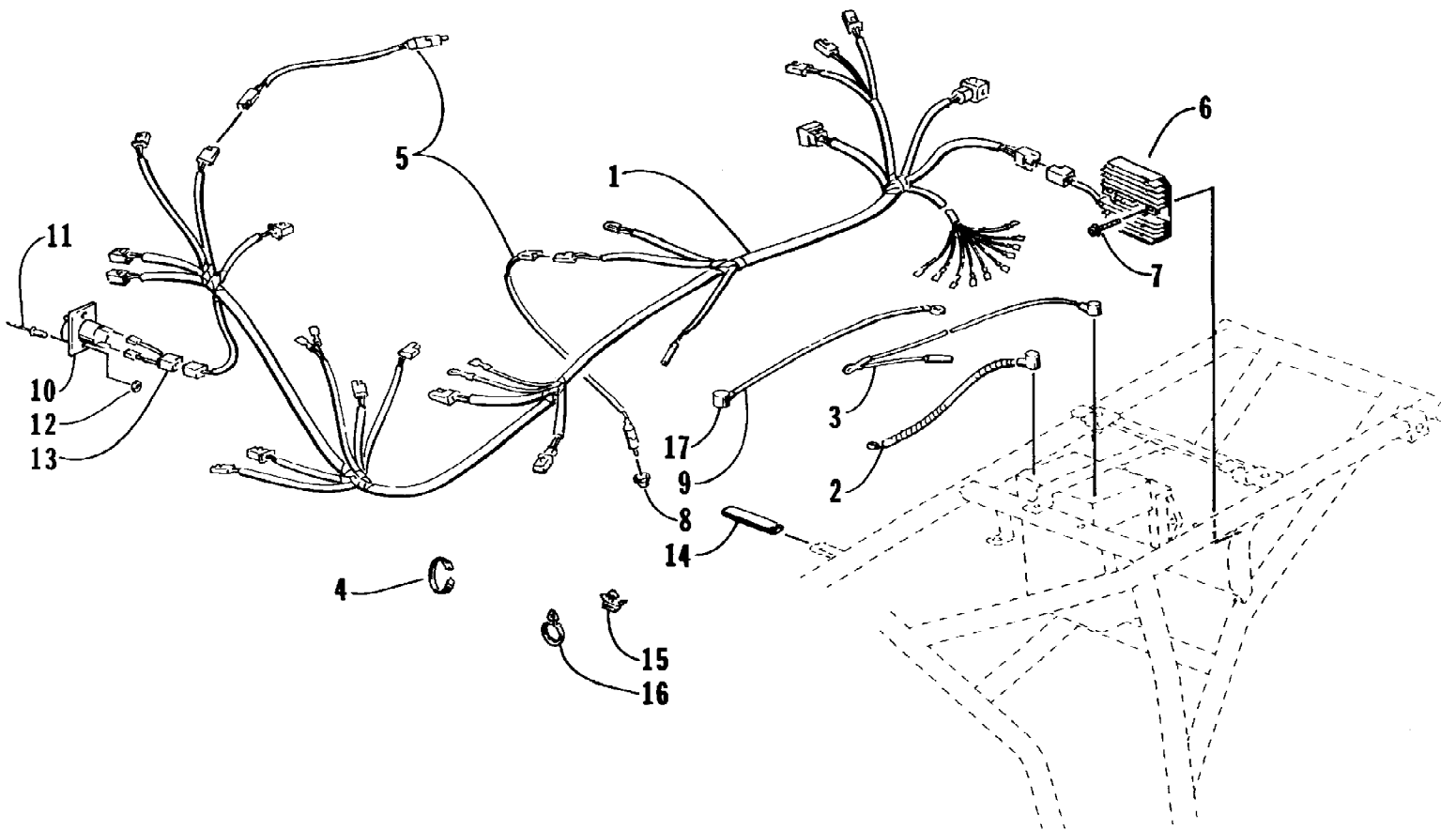
1998 ATV 454 4X4 (98A4A-1998)  
WHEEL AND TIRE ASSEMBLY



1998 ATV 454 4X4 (98A4A-1998)  
WHEEL AND TIRE ASSEMBLY

Page 94 of 96

| Ref # | Part Number | Qty | S/P/F | Description              |
|-------|-------------|-----|-------|--------------------------|
| 1     | 0423-015    | 4   | F     | Nut, Hex                 |
| 1     | 3423-213    | 4   |       | Nut, Hex                 |
| 2     | 0402-140    | 4   |       | Cap, Valve Stem          |
| 3     | 0402-064    | 4   |       | Valve, Stem              |
| 4     | 0402-215    | 2   |       | Wheel - Front            |
| 5     | 0402-153    | 2   | S     | Tire - Front (4x4)       |
| 6     | 0123-458    | 4   | /P    | Pin, Cotter              |
| 7     | 0423-021    | 4   | F     | Washer                   |
| 7     | 0423-080    | 4   |       | Washer                   |
| 8     | 0402-099    | 4   | F     | Seal, Hub                |
| 8     | 0402-181    | 4   |       | Seal, Hub                |
| 9     | 0502-041    | 2   | S     | Hub, Wheel - Front (4x4) |
| 10    | 0402-009    | 3   | S     | Disc, Brake              |
| 11    | 0423-029    | 12  |       | Screw, Machine           |
| 12    | 0502-042    | 2   | S     | Hub, Wheel - Rear        |
| 13    | 0402-224    | 2   |       | Wheel - Rear             |
| 14    | 0402-153    | 2   | S     | Tire - Rear              |
| 15    | 0403-035    | 4   | /P    | Cap, Wheel - Center      |
| 16    | 8409-020    | 16  | /P    | Screw, Cap               |



1998 ATV 454 4X4 (98A4A-1998)  
WIRING HARNESS ASSEMBLY

Page 96 of 96

| Ref # | Part Number | Qty | S/P/F | Description                         |
|-------|-------------|-----|-------|-------------------------------------|
| 1     | 0486-007    | 1   |       | Harness, Main                       |
| 2     | 0445-003    | 1   | /P    | Cable, Battery/Electric Start Relay |
| 3     | 0445-002    | 1   |       | Cable, Battery/Ground               |
| 4     | 0123-788    | 0   | /P    | Tie, Cable                          |
| 5     | 0409-009    | 2   |       | Switch, Brake - Assembly            |
| 6     | 3430-016    | 1   | S     | Regulator, Voltage                  |
| 7     | 8476-625    | 2   |       | Screw, Cap                          |
| 8     | 0402-168    | 1   | /P    | Retainer, Switch                    |
| 9     | 0445-004    | 1   |       | Cable, Battery/Electric Start       |
| 10    | 0445-001    | 4   |       | Receptacle, 12V (4x4)               |
| 11    | 8060-426    | 2   | /P    | Rivet (4x4)                         |
| 12    | 0123-149    | 2   | /P    | Washer (4x4)                        |
| 13    | 0486-004    | 1   |       | Harness, 12V Receptacle (4x4)       |
| 14    | 0406-266    | 1   |       | Tube, Loom                          |
| 15    | 0423-065    | 1   |       | Base, Wire Tie                      |
| 16    | 0423-075    | 3   |       | Clip, Snap-In                       |
| 17    | 0645-019    | 3   |       | Boot, Terminal                      |